



Chipsmall Limited consists of a professional team with an average of over 10 year of expertise in the distribution of electronic components. Based in Hongkong, we have already established firm and mutual-benefit business relationships with customers from,Europe,America and south Asia,supplying obsolete and hard-to-find components to meet their specific needs.

With the principle of "Quality Parts,Customers Priority,Honest Operation,and Considerate Service",our business mainly focus on the distribution of electronic components. Line cards we deal with include Microchip,ALPS,ROHM,Xilinx,Pulse,ON,Everlight and Freescale. Main products comprise IC,Modules,Potentiometer,IC Socket,Relay,Connector.Our parts cover such applications as commercial,industrial, and automotives areas.

We are looking forward to setting up business relationship with you and hope to provide you with the best service and solution. Let us make a better world for our industry!



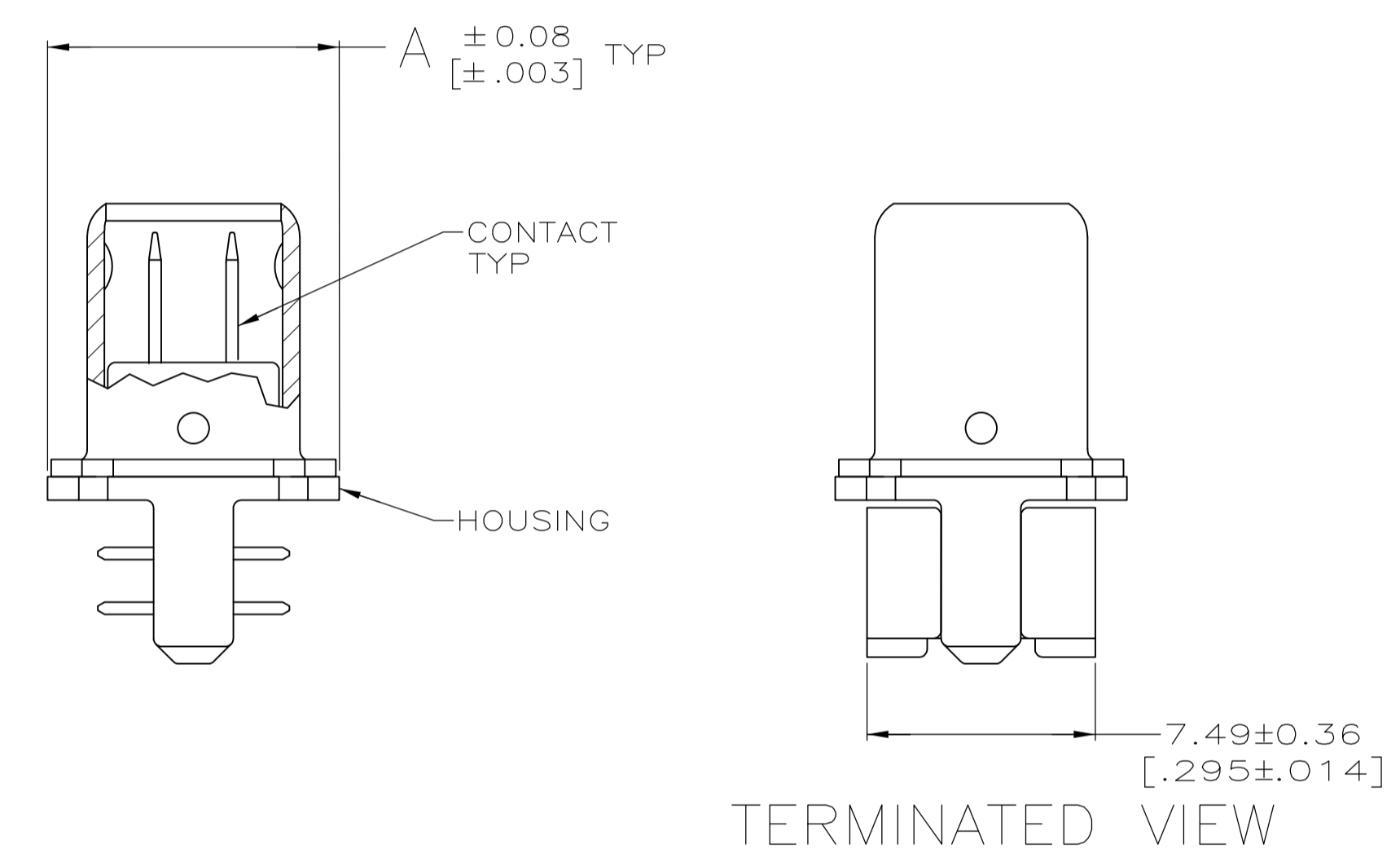
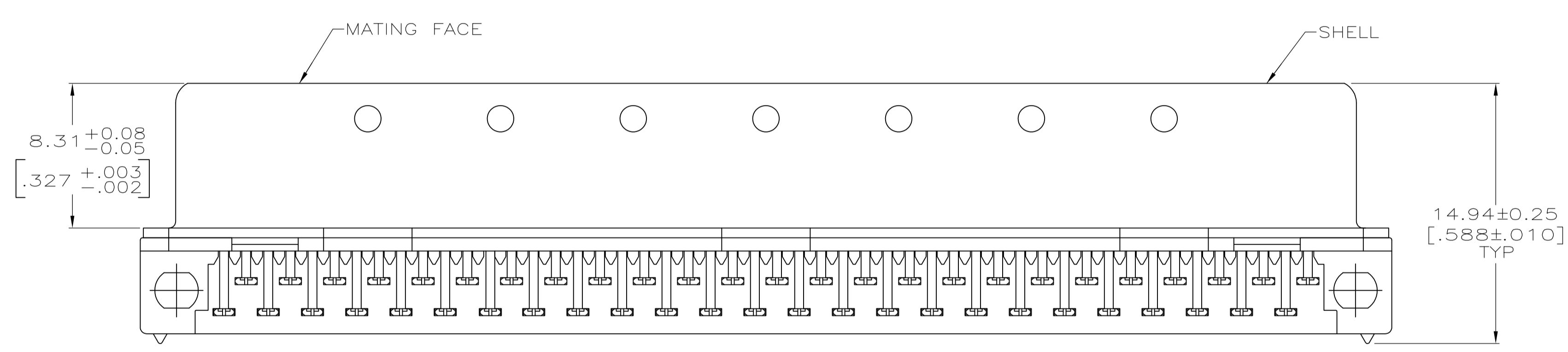
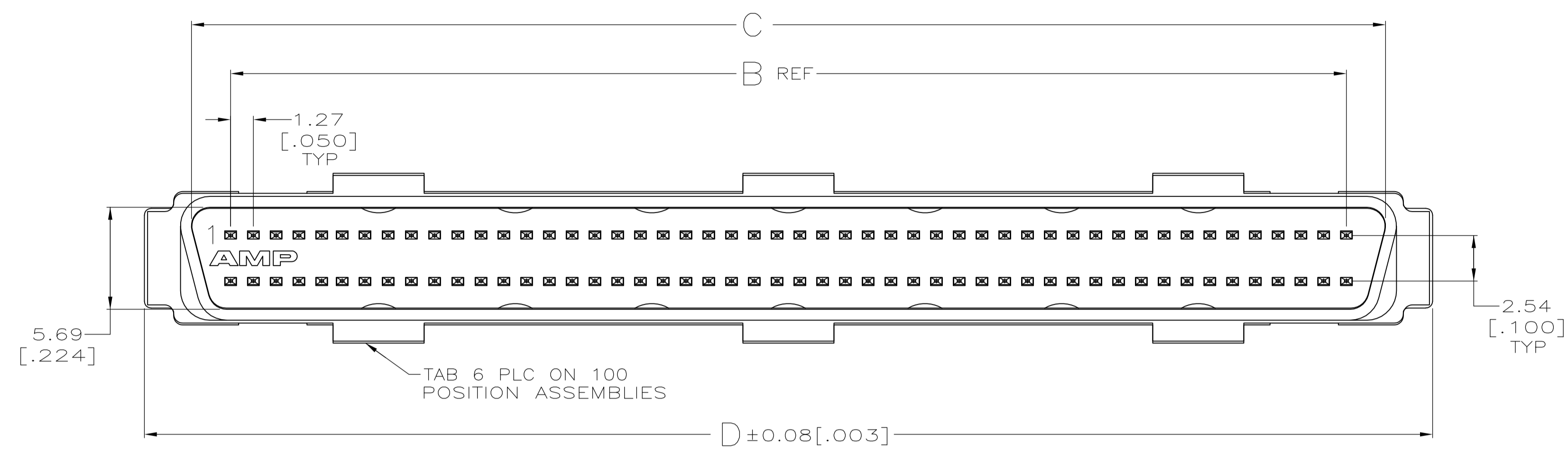
## Contact us

Tel: +86-755-8981 8866 Fax: +86-755-8427 6832

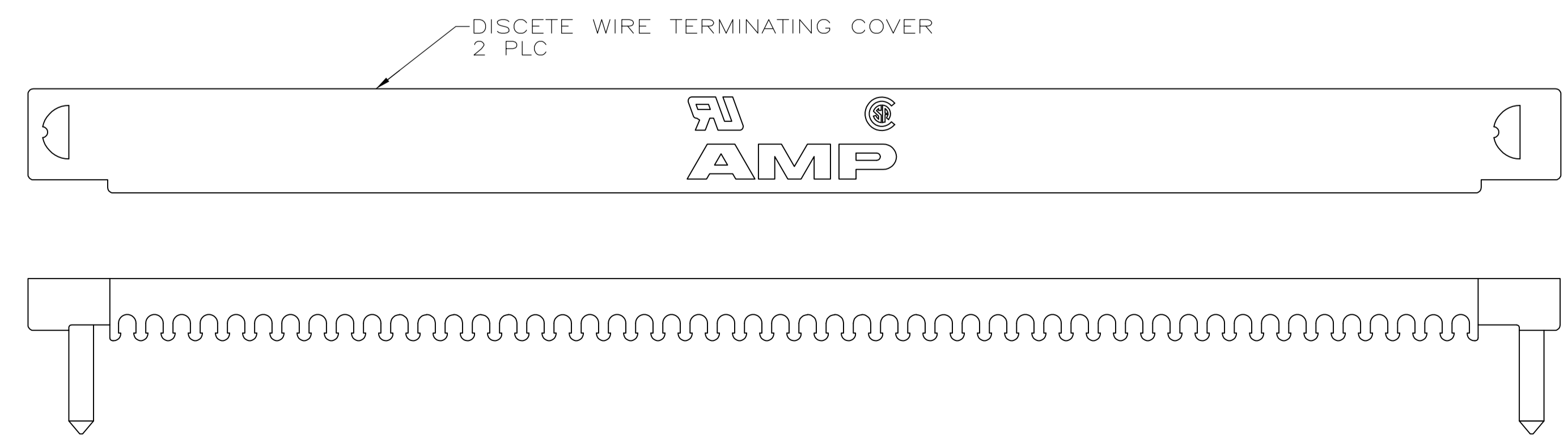
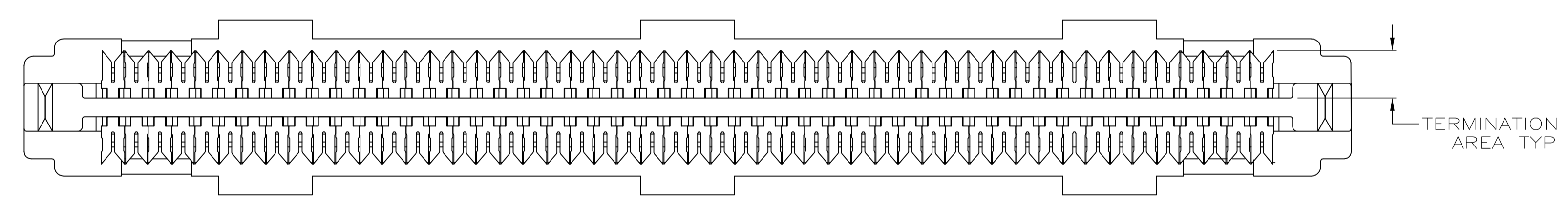
Email & Skype: info@chipsmall.com Web: www.chipsmall.com

Address: A1208, Overseas Decoration Building, #122 Zhenhua RD., Futian, Shenzhen, China





- 1 MATERIAL  
CONTACTS: PHOSPHOR BRONZE.  
SHELL: CARBON STEEL  
HOUSING: POLYESTER, BLACK, UL 94V-0 RATED.  
TERMINATING COVERS: POLYESTER, UL 94V-0 RATED; COLOR, SEE TABLE
- 2 FINISH  
CONTACTS: EITHER 0.76µm [.000030] MIN GOLD PLATE OR GOLD FLASH OVER PALLADIUM NICKEL PLATE, 0.76µm [.000030] MIN TOTAL FOR A LENGTH OF 3.35 [.132] MIN FROM MATING END, 3.00µm [.000118] MIN TIN IN TERMINATION AREA, ALL OVER 1.27µm [.000050] MIN NICKEL.  
SHELL: 0.25µm [.000010] MIN TIN-NICKEL OVER 3.81µm [.000150] MIN NICKEL OVER 2.54µm [.000100] MIN COPPER.
- 3 RECOMMENDED WIRE: 28 AWG OR 30 AWG, SOLID OR 7 STRAND, PVC INSULATION, REFER TO TABLE BELOW FOR INSULATION DIA.
- 4. COVERS PACKAGED SEPARATE FROM CONNECTORS IN SAME SHIPPING CONTAINER.



GRAY	0.74-0.79 [.029-.031]	71.86 [2.829]	66.60 [2.622]	62.23 [2.450]	9.47 [.373]	100	1-5750913-9
GRAY	0.74-0.79 [.029-.031]	51.54 [2.029]	46.28 [1.822]	41.91 [1.650]	7.44 [.293]	68	1-5750913-7
GRAY	0.74-0.79 [.029-.031]	40.11 [1.579]	34.85 [1.372]	30.48 [1.200]	7.44 [.293]	50	1-5750913-5
GRAY	0.74-0.79 [.029-.031]	24.87 [.979]	19.61 [.772]	15.24 [.600]	7.44 [.293]	26	1-5750913-2
BLACK	0.81-0.91 [.032-.036]	51.54 [2.029]	46.28 [1.822]	41.91 [1.650]	7.44 [.293]	68	5750913-7
BLACK	0.81-0.91 [.032-.036]	40.11 [1.579]	34.85 [1.372]	30.48 [1.200]	7.44 [.293]	50	5750913-5
OBSELETE	0.81-0.91 [.032-.036]	33.76 [1.329]	28.50 [1.122]	24.13 [.950]	7.44 [.293]	40	5750913-4
BLACK	0.81-0.91 [.032-.036]	24.87 [.979]	19.61 [.772]	15.24 [.600]	7.44 [.293]	26	5750913-2
TERMINATING COVERS COLOR	INSULATION OUTER DIA	D	C	B	A	NO OF POSN	PART NUMBER

**COPYRIGHT 2005  
TE CONNECTIVITY CORP  
ALL RIGHTS RESERVED**

THIS DRAWING IS A CONTROLLED DOCUMENT.

DIMENSIONS: mm [INCHES]	TOLERANCES UNLESS OTHERWISE SPECIFIED:	0 PLC ± -	1 PLC ± -	2 PLC ± ± 0.13[.005]	3 PLC ± -	4 PLC ± -	ANGLES ± -
MATERIAL	FINISH	BIN L VARELA - DOCKS 02-18-05		CHK S SHUEY 13DEC05		APVD M WALMSLEY 02-18-05	
STE		TE Connectivity		NAME		PLUG KIT, UNASSEMBLED, DISCRETE WIRE TERMINATING COVER, .050 SERIES, AMPLIMITE	
CUSTOMER DRAWING		DRAWING NO 108-1228		APPLICATION SPEC 114-40029		RESTRICTED TO	
SCALE 5:1		SHEET 1 of 1		REV C1		WEIGHT	