



Chipsmall Limited consists of a professional team with an average of over 10 year of expertise in the distribution of electronic components. Based in Hongkong, we have already established firm and mutual-benefit business relationships with customers from,Europe,America and south Asia,supplying obsolete and hard-to-find components to meet their specific needs.

With the principle of "Quality Parts,Customers Priority,Honest Operation,and Considerate Service",our business mainly focus on the distribution of electronic components. Line cards we deal with include Microchip,ALPS,ROHM,Xilinx,Pulse,ON,Everlight and Freescale. Main products comprise IC,Modules,Potentiometer,IC Socket,Relay,Connector.Our parts cover such applications as commercial,industrial, and automotives areas.

We are looking forward to setting up business relationship with you and hope to provide you with the best service and solution. Let us make a better world for our industry!



## Contact us

Tel: +86-755-8981 8866 Fax: +86-755-8427 6832

Email & Skype: info@chipsmall.com Web: www.chipsmall.com

Address: A1208, Overseas Decoration Building, #122 Zhenhua RD., Futian, Shenzhen, China





## 575SX1A48F503SS

**575 Series Commercial Potentiometer, Conductive Plastic Element, Solder Hook Terminals, 0.5 W Power Rating, 50 kOhm Resistance Value**

*Representative photograph, actual product appearance may vary.*

*Due to regional agency approval requirements, some products may not be available in your area. Please contact your regional Honeywell office regarding your product of choice.*

### Features

- All plastic construction
- Conductive plastic element
- Linear taper
- Solder hook terminals

### Typical Applications

- Manual controls (throttle, joystick)
- Welding and heating
- Telecommunications

### Description

The 575 Series is a low cost potentiometer with the benefits of a conductive plastic element. It is panel mounted and the housing and shaft are made from thermoplastic material.



## 575SX1A48F503SS

**575 Series Commercial Potentiometer, Conductive Plastic Element, Solder Hook Terminals, 0.5 W Power Rating, 50 kOhm Resistance Value**

Product Specifications	
<b>Potentiometer Type</b>	Commercial
<b>Element Type</b>	Conductive Plastic
<b>Terminal Type</b>	Solder Hook
<b>Power Rating</b>	0.5 W
<b>Resistance Value</b>	50 kOhm
<b>Resistance Tolerance</b>	± 20 %
<b>Linearity</b>	± 5 %
<b>Bushing Thread</b>	9,53 mm [0.375 in] x 32 NEF-2A
<b>Bushing length</b>	6,35 mm [0.25 in]
<b>Bushing Type</b>	Standard
<b>Shaft Diameter</b>	6,35 mm [0.25 in]
<b>Shaft length</b>	19,05 mm [0.75 in]
<b>Shaft Ending</b>	Flatted
<b>Body</b>	21.08 mm [0.83 in] square, ± 0.79 mm [0.031 in], except at terminal standoff
<b>Electrical Taper</b>	Linear
<b>Operating Temperature</b>	-40 °C to 120 °C [-40 °F to 248 °F]
<b>Working Voltage (Max.)</b>	350 V
<b>Rotational Life</b>	50000 cycles
<b>Mechanical Rotation</b>	300°
<b>Availability</b>	Global
<b>Series Name</b>	575 Series
<b>UNSPSC Code</b>	4111363300
<b>UNSPSC Commodity</b>	4111363300 Potentiometers

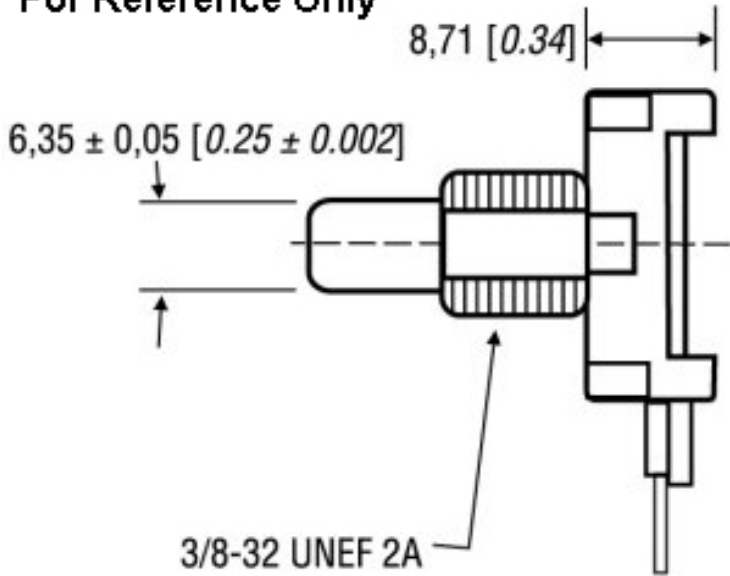
# Honeywell

## 575SX1A48F503SS

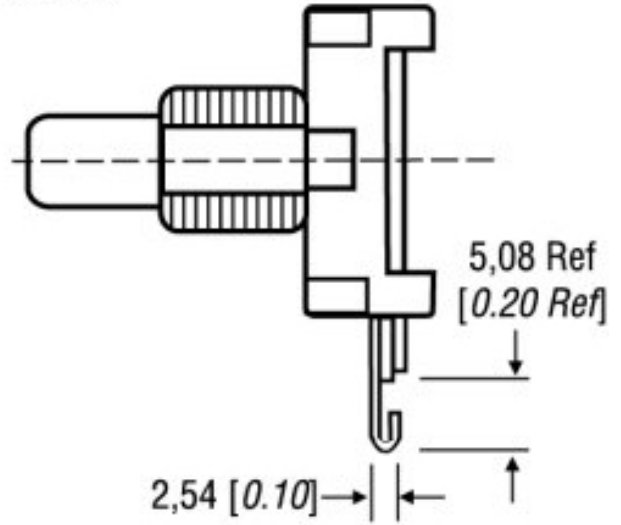
**575 Series Commercial Potentiometer, Conductive Plastic Element, Solder Hook Terminals, 0.5 W Power Rating, 50 kOhm Resistance Value**



**For Reference Only**



**Solder Hook  
Terminals**



**575SX1A48F503SS**

**575 Series Commercial Potentiometer, Conductive Plastic Element, Solder Hook Terminals, 0.5 W Power Rating, 50 kOhm Resistance Value**

**⚠ WARNING**

**PERSONAL INJURY**

DO NOT USE these products as safety or emergency stop devices, or in any other application where failure of the product could result in personal injury.

**Failure to comply with these instructions could result in death or serious injury.**

**⚠ WARNING**

**MISUSE OF DOCUMENTATION**

- The information presented in this product sheet (or catalog) is for reference only. DO NOT USE this document as product installation information.
- Complete installation, operation and maintenance information is provided in the instructions supplied with each product.

**Failure to comply with these instructions could result in death or serious injury.**

