



Chipsmall Limited consists of a professional team with an average of over 10 year of expertise in the distribution of electronic components. Based in Hongkong, we have already established firm and mutual-benefit business relationships with customers from,Europe,America and south Asia,supplying obsolete and hard-to-find components to meet their specific needs.

With the principle of “Quality Parts,Customers Priority,Honest Operation,and Considerate Service”,our business mainly focus on the distribution of electronic components. Line cards we deal with include Microchip,ALPS,ROHM,Xilinx,Pulse,ON,Everlight and Freescale. Main products comprise IC,Modules,Potentiometer,IC Socket,Relay,Connector.Our parts cover such applications as commercial,industrial, and automotives areas.

We are looking forward to setting up business relationship with you and hope to provide you with the best service and solution. Let us make a better world for our industry!



Contact us

Tel: +86-755-8981 8866 Fax: +86-755-8427 6832

Email & Skype: info@chipsmall.com Web: www.chipsmall.com

Address: A1208, Overseas Decoration Building, #122 Zhenhua RD., Futian, Shenzhen, China





575SX1A48S103SS

575 Series Commercial Potentiometer, Conductive Plastic Element, Solder Hook Terminals, 0.5 W Power Rating, 10 kOhm Resistance Value

Representative photograph, actual product appearance may vary.

Due to regional agency approval requirements, some products may not be available in your area. Please contact your regional Honeywell office regarding your product of choice.

Features

- All plastic construction
- Conductive plastic element
- Linear taper
- Solder hook terminals

Typical Applications

- Manual controls (throttle, joystick)
- Welding and heating
- Telecommunications

Description

The 575 Series is a low cost potentiometer with the benefits of a conductive plastic element. It is panel mounted and the housing and shaft are made from thermoplastic material.

575SX1A48S103SS

575 Series Commercial Potentiometer, Conductive Plastic Element, Solder Hook Terminals, 0.5 W Power Rating, 10 kOhm Resistance Value

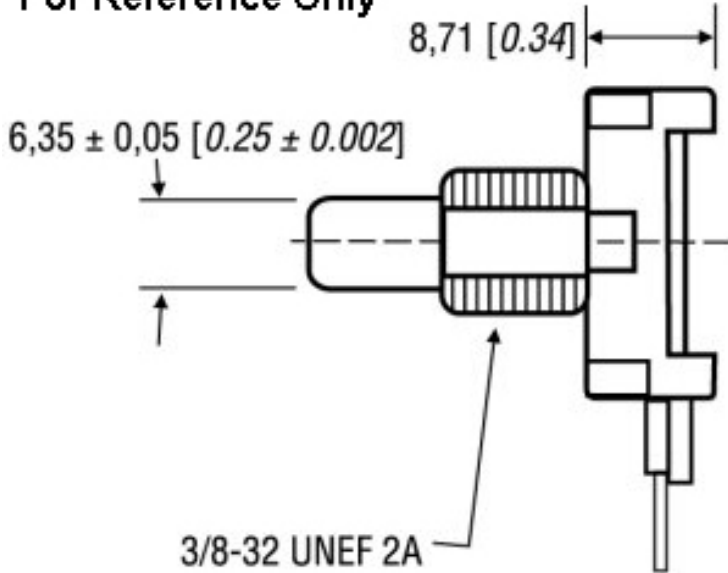
Product Specifications	
Potentiometer Type	Commercial
Element Type	Conductive Plastic
Terminal Type	Solder Hook
Power Rating	0.5 W
Resistance Value	10 kOhm
Resistance Tolerance	± 20 %
Linearity	± 5 %
Bushing Thread	9,53 mm [0.375 in] x 32 NEF-2A
Bushing length	6,35 mm [0.25 in]
Bushing Type	Standard
Shaft Diameter	6,35 mm [0.25 in]
Shaft length	19,05 mm [0.75 in]
Shaft Ending	Slotted
Body	21.08 mm [0.83 in] square, ± 0.79 mm [0.031 in], except at terminal standoff
Electrical Taper	Linear
Operating Temperature	-40 °C to 120 °C [-40 °F to 248 °F]
Working Voltage (Max.)	350 V
Rotational Life	50000 cycles
Mechanical Rotation	300°
Availability	Global
Series Name	575 Series
UNSPSC Code	4111363300
UNSPSC Commodity	4111363300 Potentiometers

Honeywell

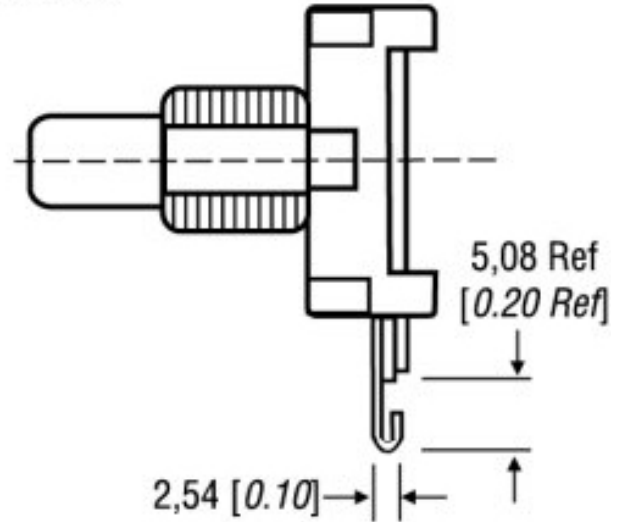
575SX1A48S103SS

575 Series Commercial Potentiometer, Conductive Plastic Element, Solder Hook Terminals, 0.5 W Power Rating, 10 kOhm Resistance Value

For Reference Only



Solder Hook
Terminals



Honeywell

575SX1A48S103SS

575 Series Commercial Potentiometer, Conductive Plastic Element, Solder Hook Terminals, 0.5 W Power Rating, 10 kOhm Resistance Value

▲ WARNING

PERSONAL INJURY

DO NOT USE these products as safety or emergency stop devices, or in any other application where failure of the product could result in personal injury.

Failure to comply with these instructions could result in death or serious injury.

▲ WARNING

MISUSE OF DOCUMENTATION

- The information presented in this product sheet (or catalog) is for reference only. DO NOT USE this document as product installation information.
- Complete installation, operation and maintenance information is provided in the instructions supplied with each product.

Failure to comply with these instructions could result in death or serious injury.

