



Chipsmall Limited consists of a professional team with an average of over 10 year of expertise in the distribution of electronic components. Based in Hongkong, we have already established firm and mutual-benefit business relationships with customers from,Europe,America and south Asia,supplying obsolete and hard-to-find components to meet their specific needs.

With the principle of “Quality Parts,Customers Priority,Honest Operation,and Considerate Service”,our business mainly focus on the distribution of electronic components. Line cards we deal with include Microchip,ALPS,ROHM,Xilinx,Pulse,ON,Everlight and Freescale. Main products comprise IC,Modules,Potentiometer,IC Socket,Relay,Connector.Our parts cover such applications as commercial,industrial, and automotives areas.

We are looking forward to setting up business relationship with you and hope to provide you with the best service and solution. Let us make a better world for our industry!



Contact us

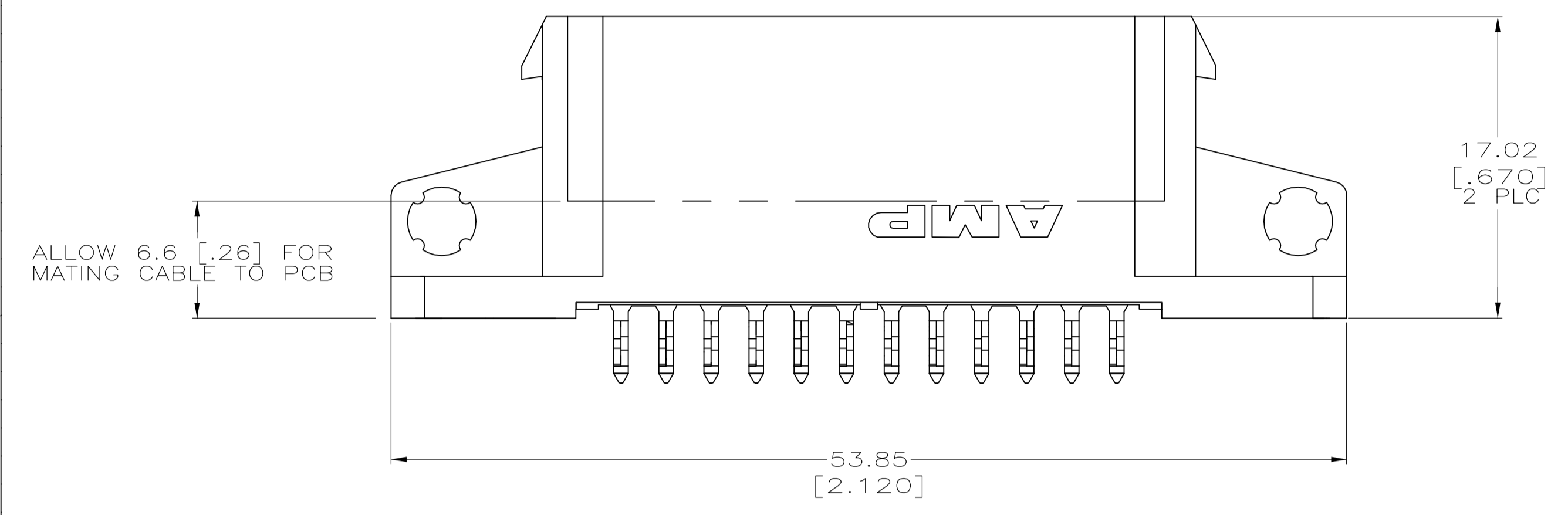
Tel: +86-755-8981 8866 Fax: +86-755-8427 6832

Email & Skype: info@chipsmall.com Web: www.chipsmall.com

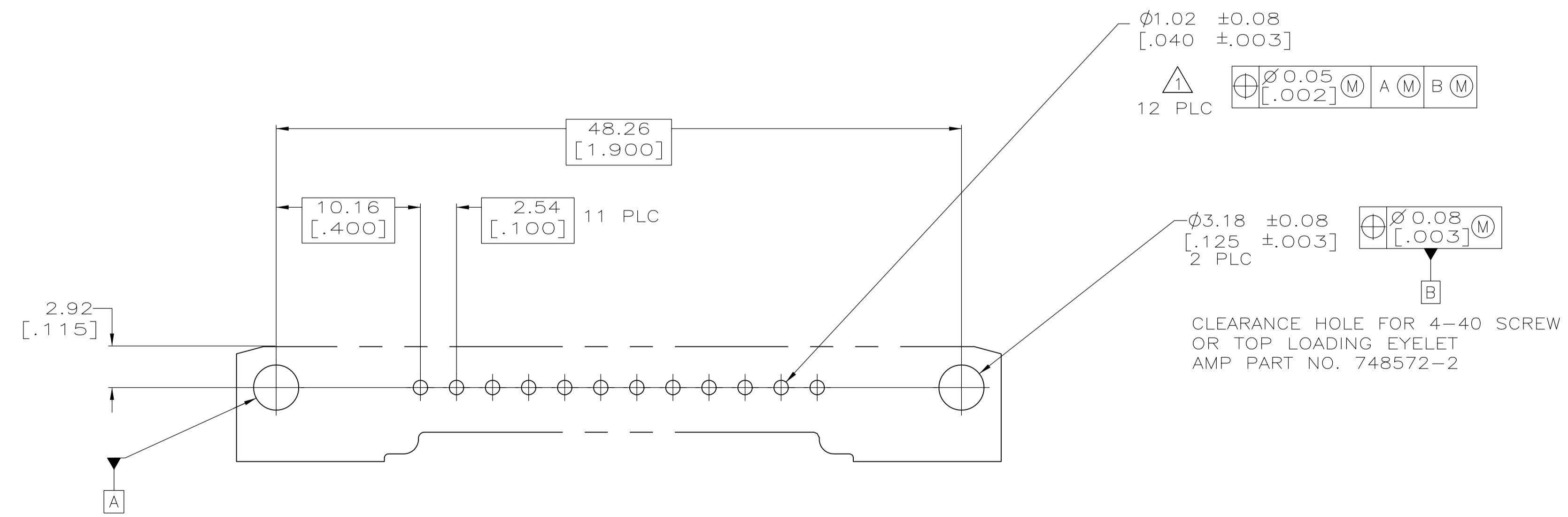
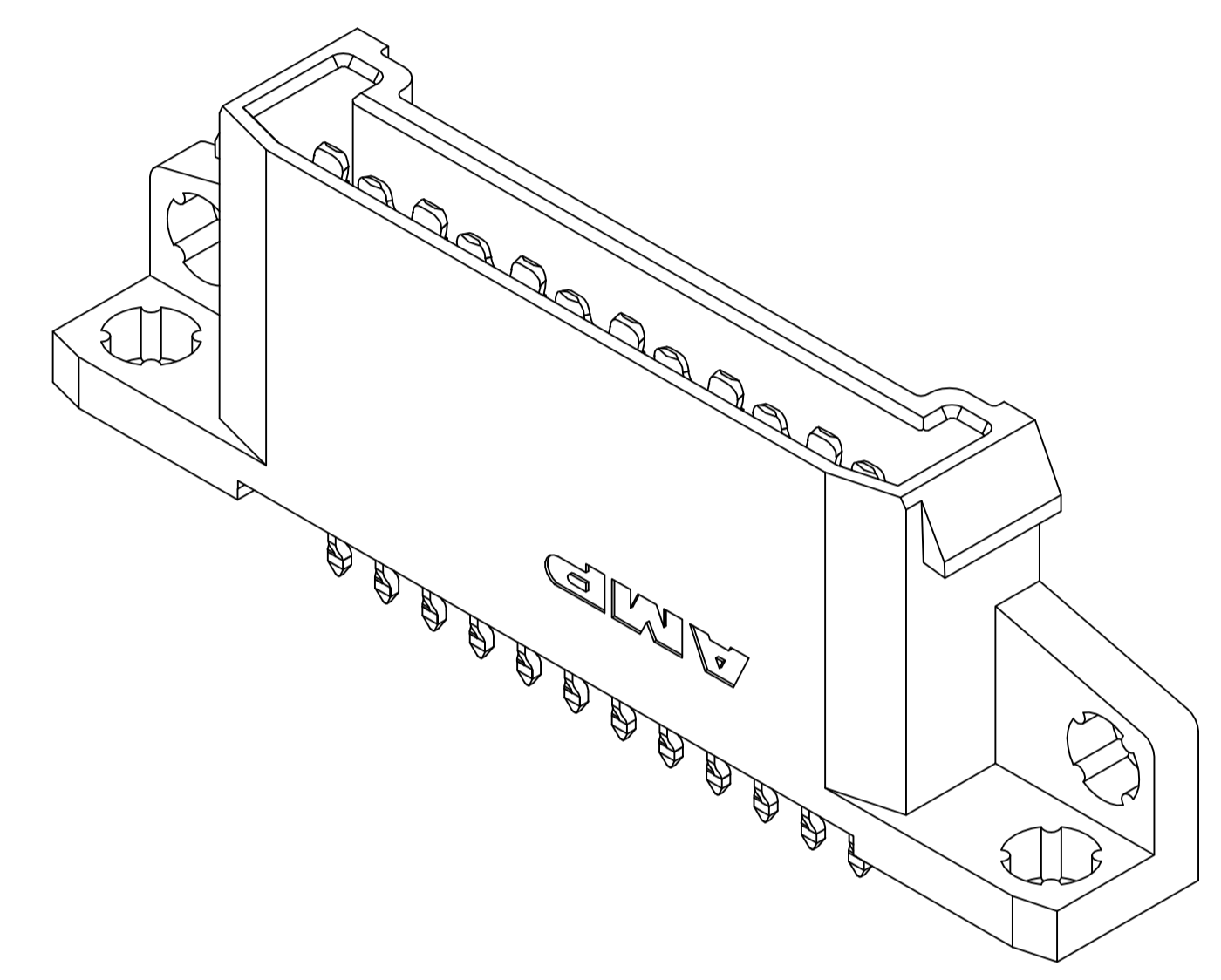
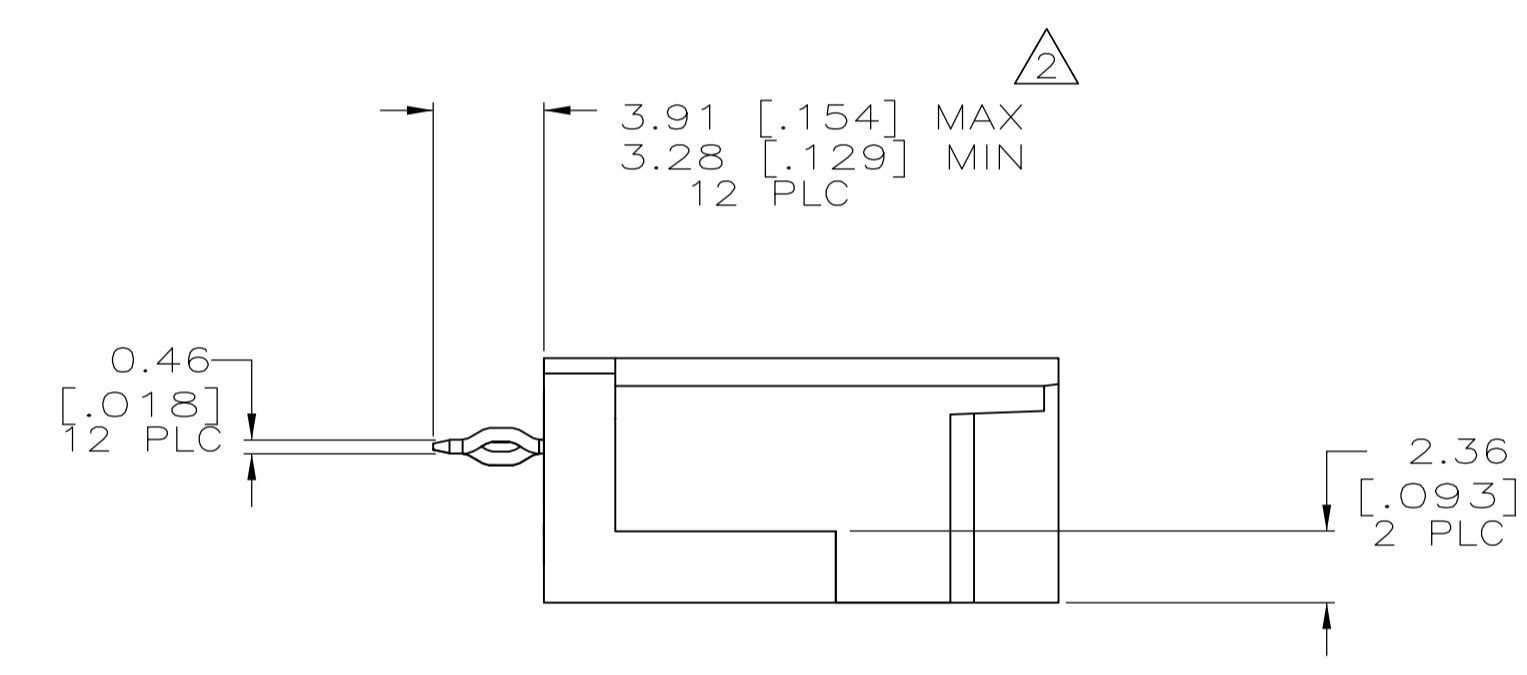
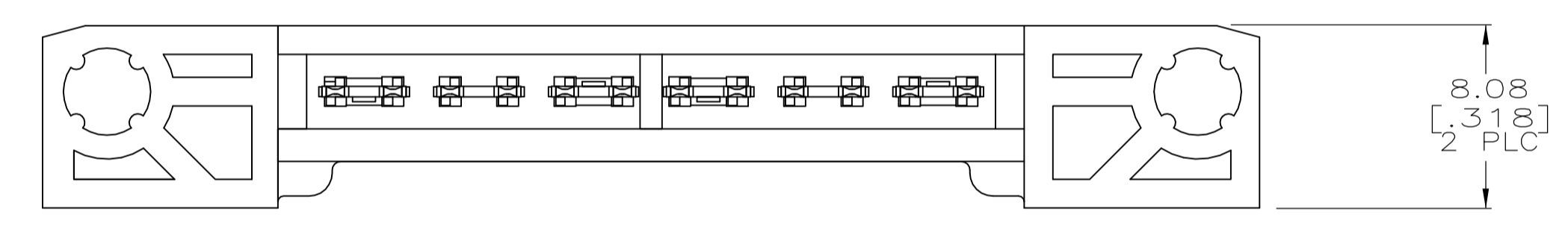
Address: A1208, Overseas Decoration Building, #122 Zhenhua RD., Futian, Shenzhen, China



*ACTION PIN AND AMPPOWER are registered trademarks of AMP Incorporated.



- 1 HOLE DIAMETER AFTER PLATING.
- 2 FOR 2.36 [.093] AND THICKER PCB'S.
- 3 HOUSING MATERIAL: POLYESTER
CONTACT MATERIAL: COPPER ALLOY
- 4 CONTACT FINISH: SILVER ON MATING END,
TIN ON SOLDER TAILS,
NICKEL ALL OVER.



5765271-1
PART NUMBER

THIS DRAWING IS A CONTROLLED DOCUMENT. DIMENSIONING AND TOLERANCING PER ASME Y14.5M-2009.		DIN C. VALENTINE 05NOV2012	TE Connectivity
DIMENSIONS: mm [INCHES]		CHK D. ORRIS 05NOV2012	
TOLERANCES UNLESS OTHERWISE SPECIFIED:		APVD D. ORRIS 05NOV2012	NAME
0 PLC ± -		PRODUCT SPEC	AMPPOWER Wave Crimp System
1 PLC ± -		APPLICATION SPEC	ACTION PIN HDR ASSY, VERT
2 PLC ± 0.25 [.01]		SIZE	108-1410
3 PLC ± 0.13 [.005]		SCALE	2.54 CENTERLINES
4 PLC ± -		WEIGHT	114-49005
ANGLES ± -		CUSTOMER DRAWING	A1 00779 C=5765271
MATERIAL	FINISH	RESTRICTED TO	SCALE 4:1 SHEET 1 OF 1 REV A