



Chipsmall Limited consists of a professional team with an average of over 10 year of expertise in the distribution of electronic components. Based in Hongkong, we have already established firm and mutual-benefit business relationships with customers from,Europe,America and south Asia,supplying obsolete and hard-to-find components to meet their specific needs.

With the principle of “Quality Parts,Customers Priority,Honest Operation,and Considerate Service”,our business mainly focus on the distribution of electronic components. Line cards we deal with include Microchip,ALPS,ROHM,Xilinx,Pulse,ON,Everlight and Freescale. Main products comprise IC,Modules,Potentiometer,IC Socket,Relay,Connector.Our parts cover such applications as commercial,industrial, and automotives areas.

We are looking forward to setting up business relationship with you and hope to provide you with the best service and solution. Let us make a better world for our industry!



Contact us

Tel: +86-755-8981 8866 Fax: +86-755-8427 6832

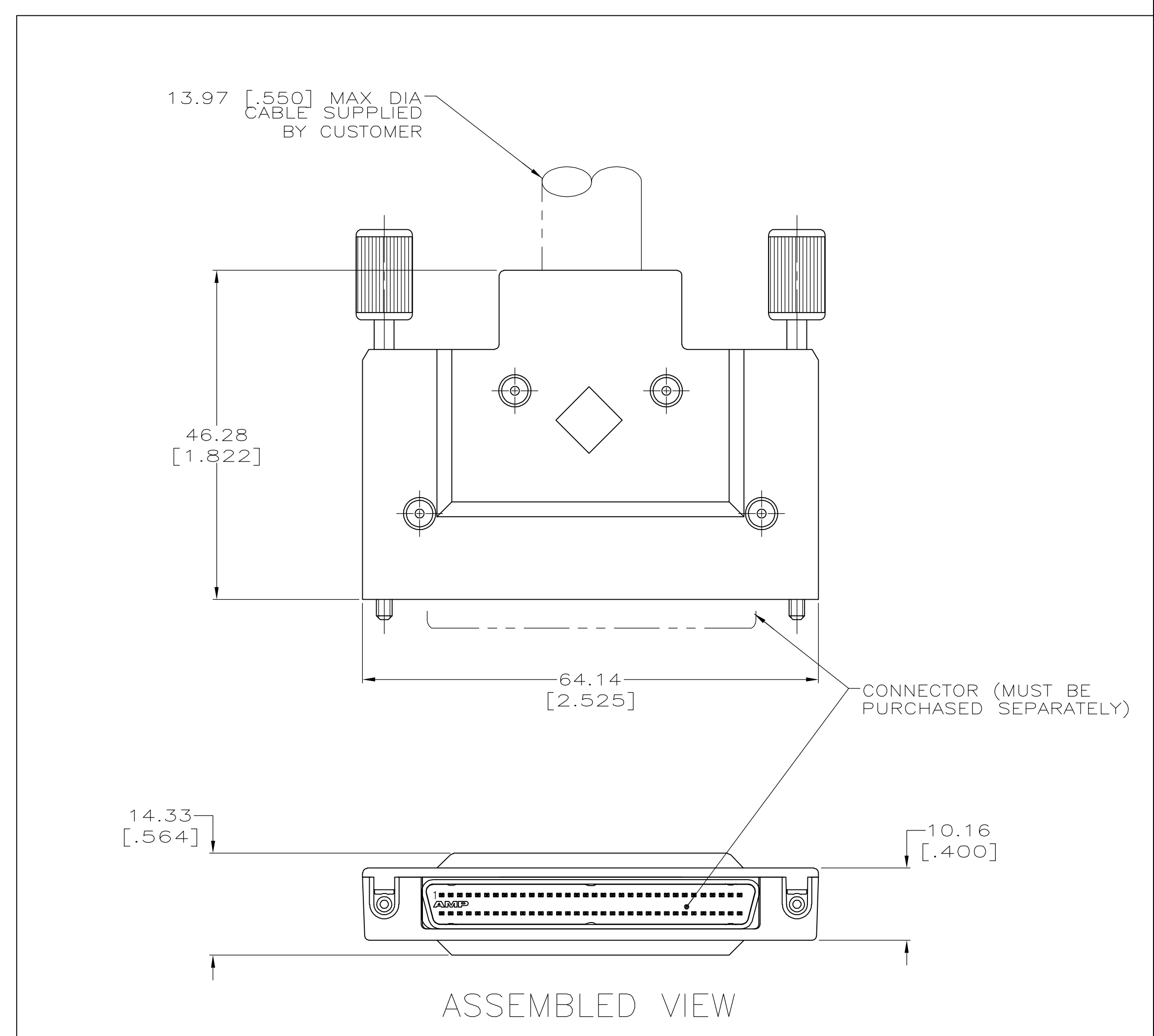
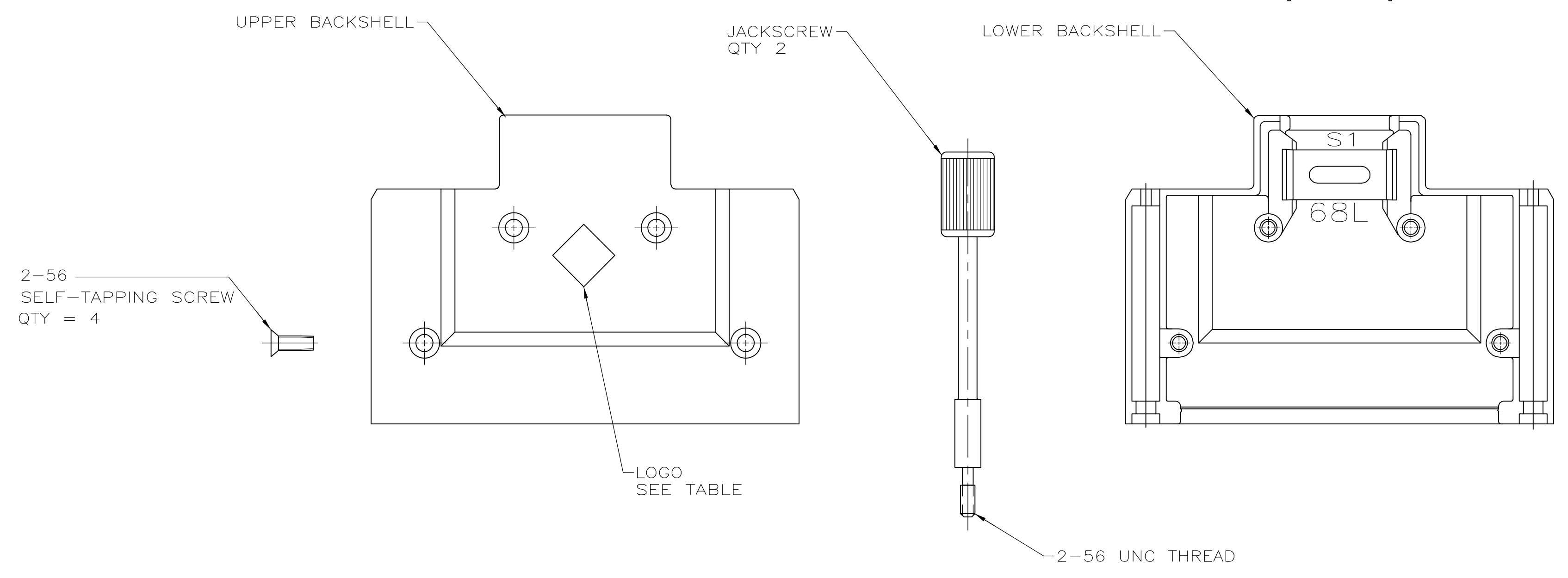
Email & Skype: info@chipsmall.com Web: www.chipsmall.com

Address: A1208, Overseas Decoration Building, #122 Zhenhua RD., Futian, Shenzhen, China



LOC		DIST		REVISIONS			
P	LTR	DESCRIPTION	DATE	OWN	APPD		
A		RELEASED	20JUN05	BM	SS		

- ① BACKSHELL: ZINC PER ASTM B86.
- ② STAPLE: CARBON STEEL PER ASTM A109.
- ③ SCREW: STAINLESS STEEL.
- ④ 1.27μm [.000050] MIN TIN OVER 1.27μm [.000050] MIN NICKEL.
- ⑤ STAINLESS STEEL & PVC, BLACK.



NO	⑤	-	5786152-3
LOGO	JACKSCREW	FINISH	PART NUMBER

THIS DRAWING IS A CONTROLLED DOCUMENT.		OWN B. MCMASTER 20JUN05	20JUN05	Tyco Electronics Corporation Harrisburg, Pa 17105-3608
DIMENSIONS: mm(INCHES)		CHK S. SHUEY 20JUN05	20JUN05	
TOLERANCES UNLESS OTHERWISE SPECIFIED:		APVD S. SHUEY 20JUN05	NAME	BACKSHELL KIT, UNASSEMBLED, 68 POSN, .050 SERIES AMPLIMITE TM
0 PLC ± - 1 PLC ± - 2 PLC ± 0.51 [.020] 3 PLC ± - 4 PLC ± - ANGLES ± -		PRODUCT SPEC	APPLICATION SPEC	RESTRICTED TO
MATERIAL FINISH		WEIGHT	SIZE CAGE CODE DRAWING NO	SCALE
① ② ③ ④		-	A1 C=5786152	2:1
CUSTOMER DRAWING		SHEET 1 OF 1		REV A