



Chipsmall Limited consists of a professional team with an average of over 10 year of expertise in the distribution of electronic components. Based in Hongkong, we have already established firm and mutual-benefit business relationships with customers from,Europe,America and south Asia,supplying obsolete and hard-to-find components to meet their specific needs.

With the principle of “Quality Parts,Customers Priority,Honest Operation,and Considerate Service”,our business mainly focus on the distribution of electronic components. Line cards we deal with include Microchip,ALPS,ROHM,Xilinx,Pulse,ON,Everlight and Freescale. Main products comprise IC,Modules,Potentiometer,IC Socket,Relay,Connector.Our parts cover such applications as commercial,industrial, and automotives areas.

We are looking forward to setting up business relationship with you and hope to provide you with the best service and solution. Let us make a better world for our industry!



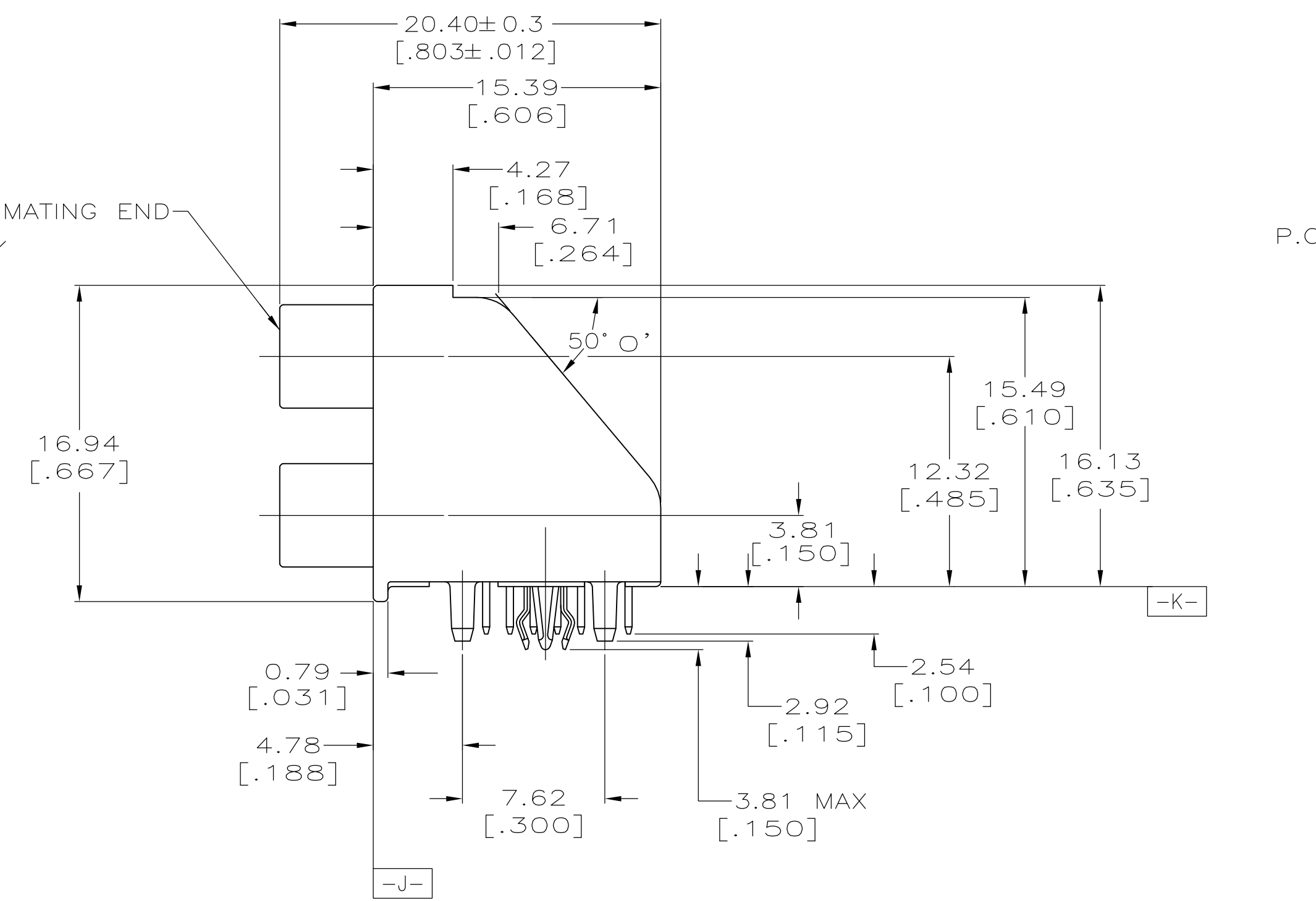
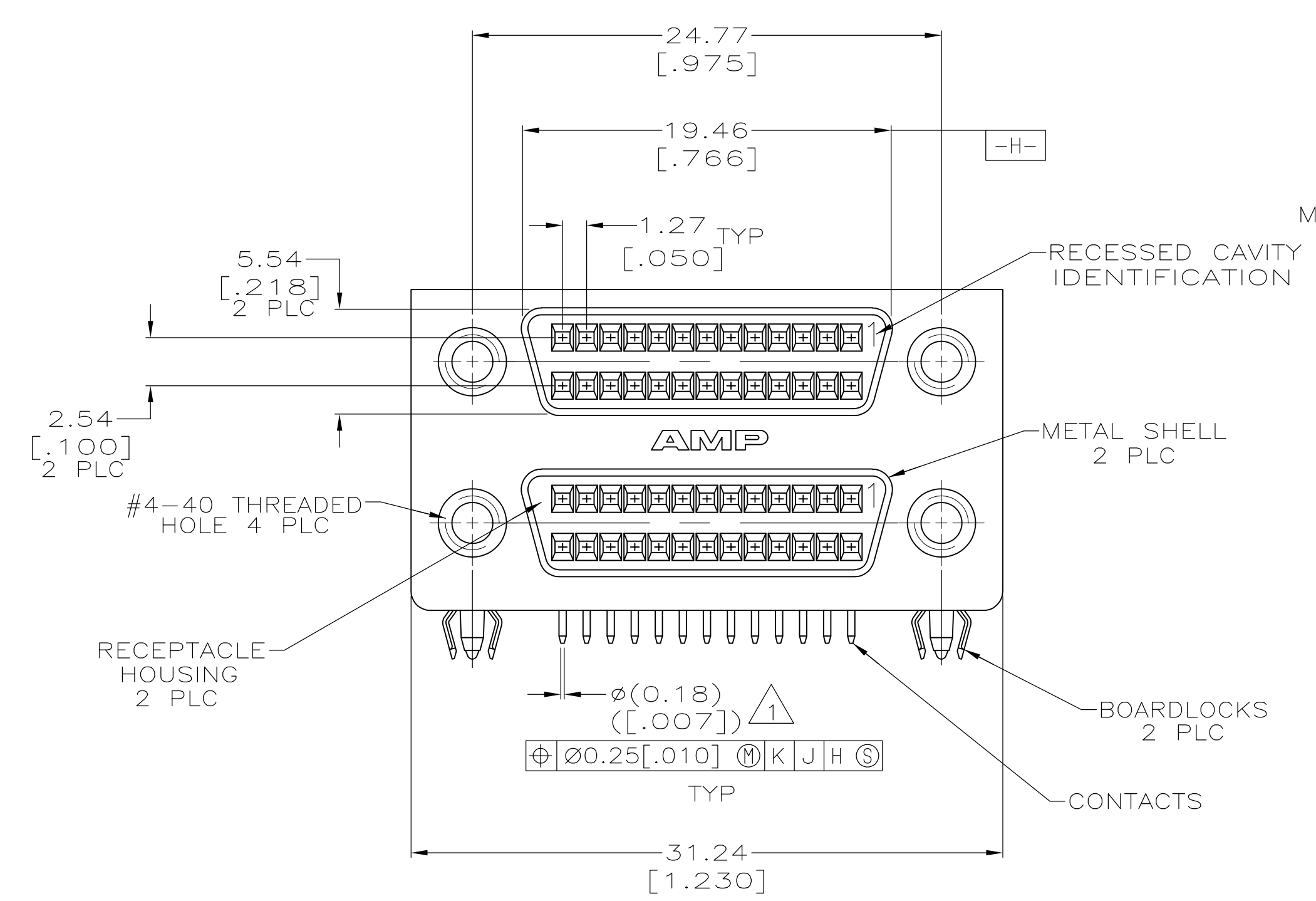
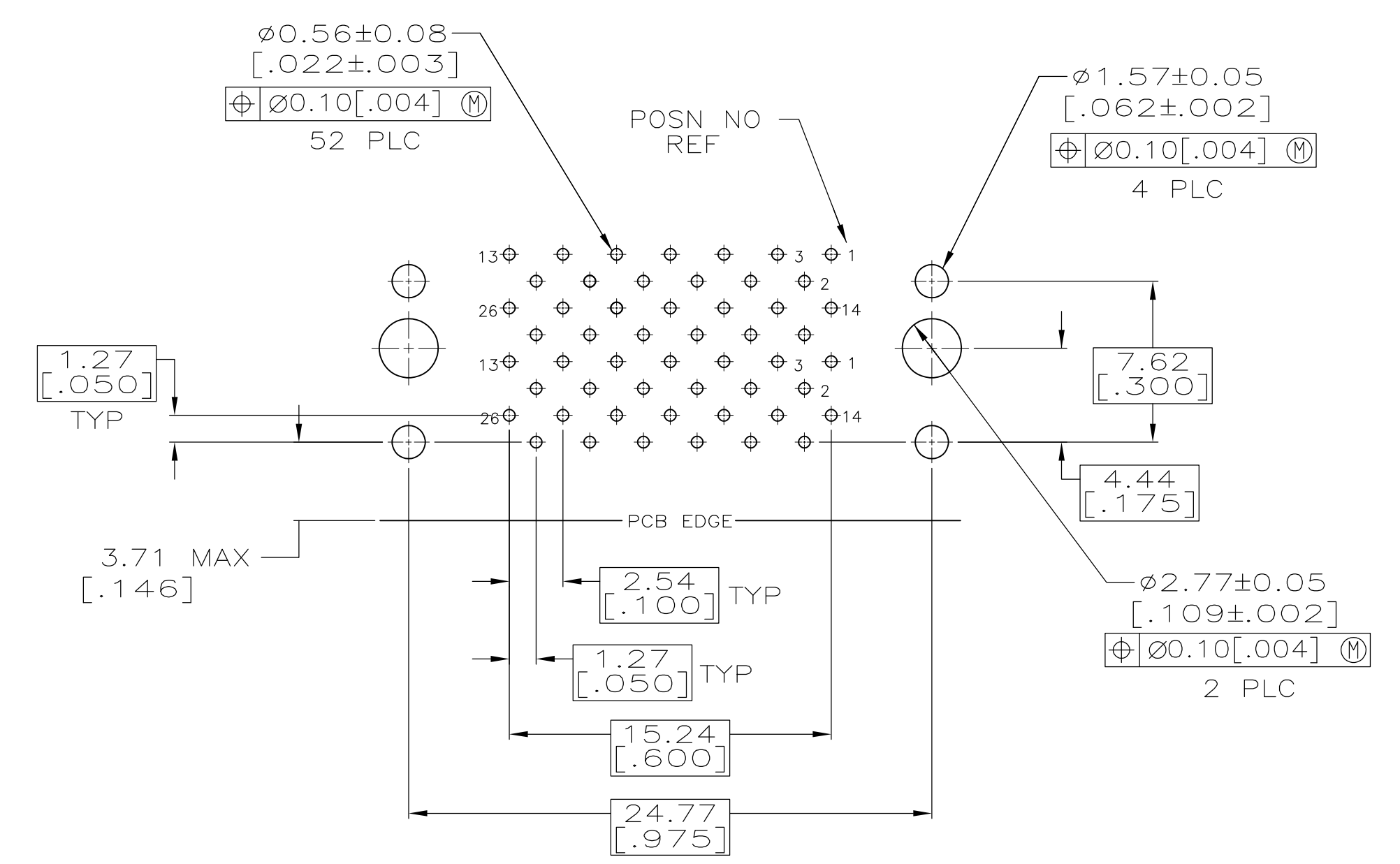
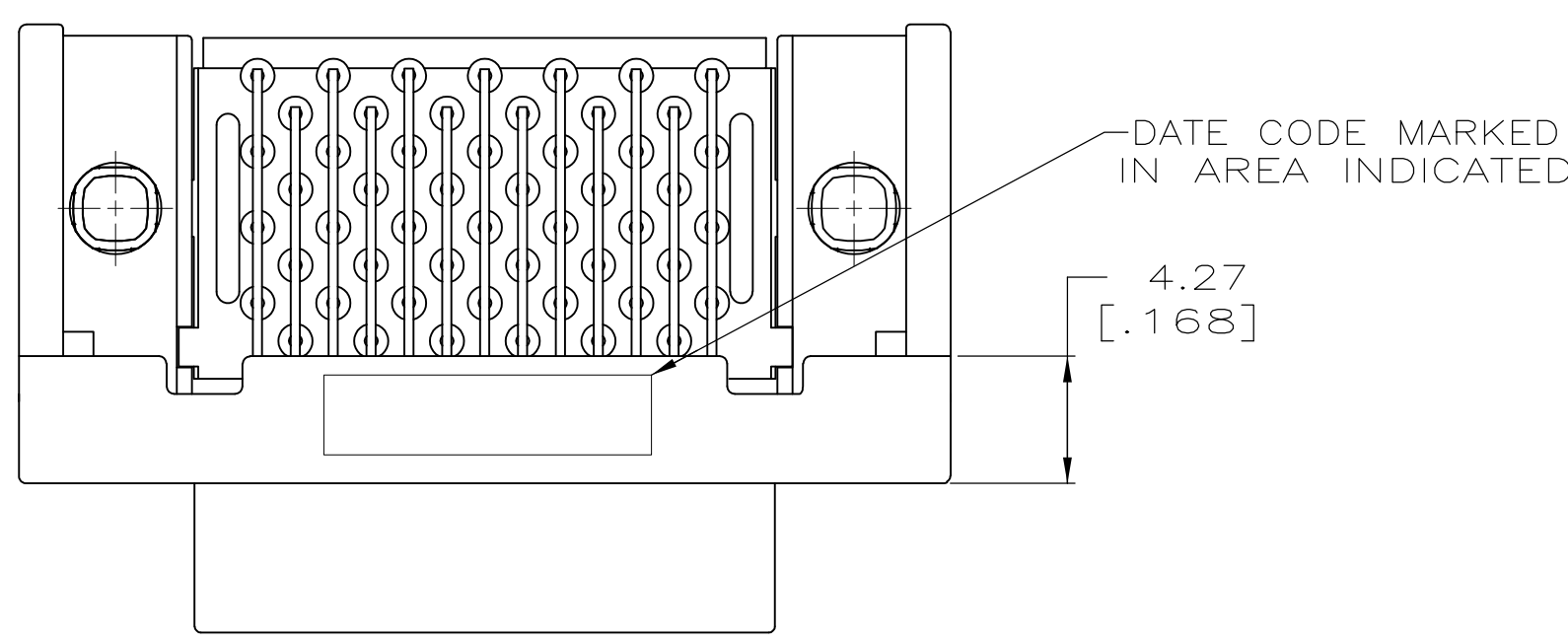
Contact us

Tel: +86-755-8981 8866 Fax: +86-755-8427 6832

Email & Skype: info@chipsmall.com Web: www.chipsmall.com

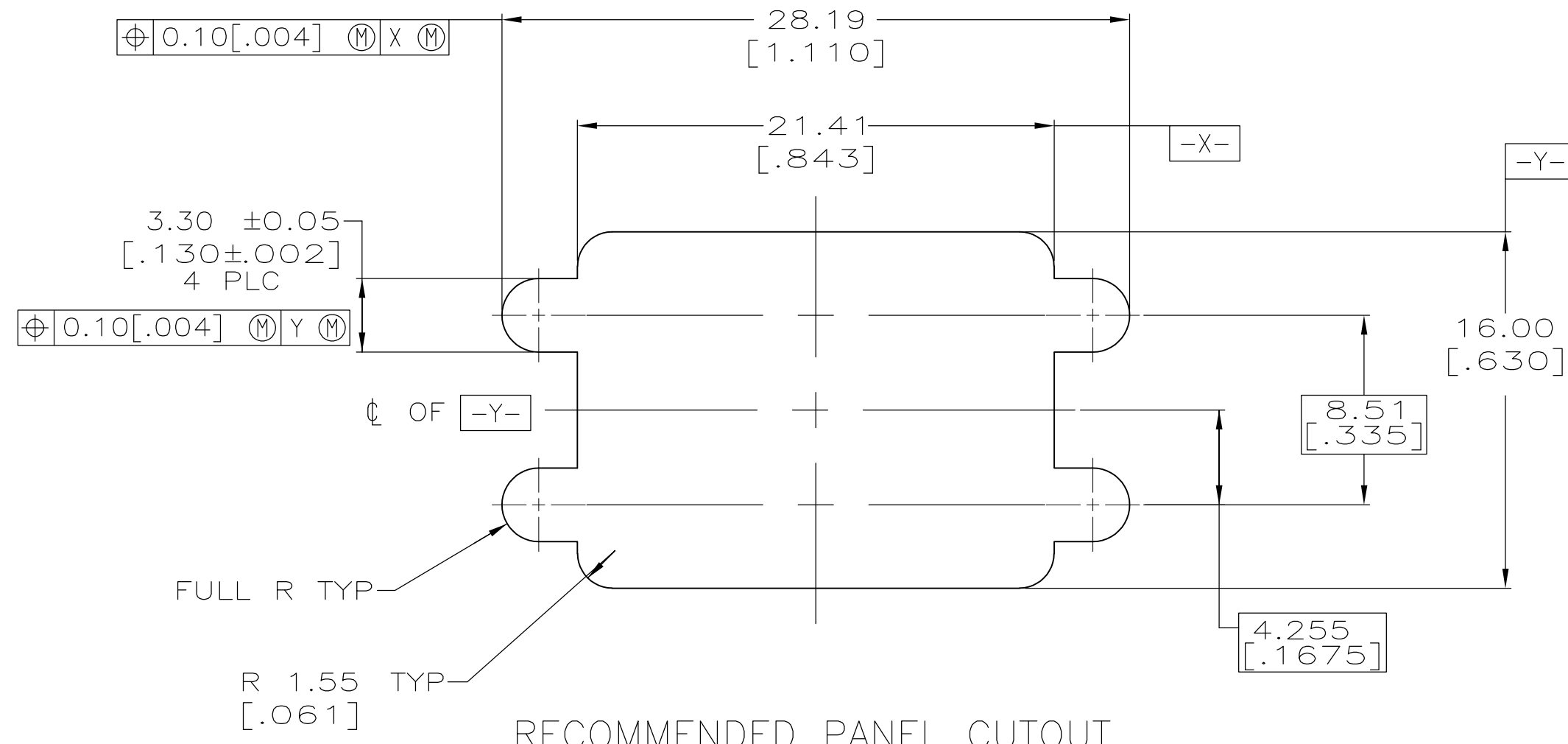
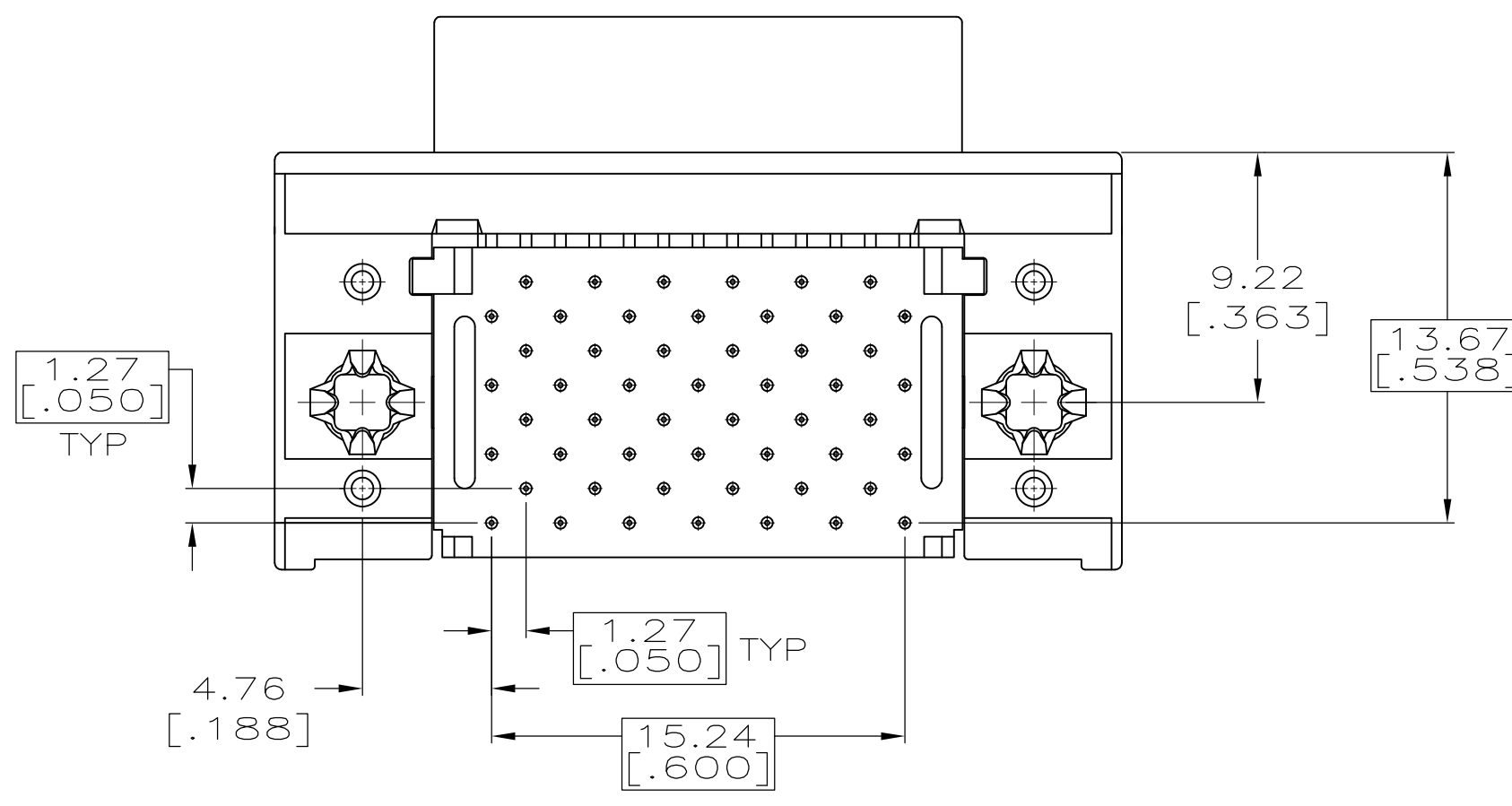
Address: A1208, Overseas Decoration Building, #122 Zhenhua RD., Futian, Shenzhen, China





P.C. BOARD MOUNTING DIMENSIONS
 CONNCTOR SIDE
 P.C. BOARD THICKNESS 1.57±0.20 [.062±.008]

- 1 POSITION TOLERANCE APPLIES AT TIP ONLY.
- 2 MATERIAL
 CONTACTS: PHOSPHOR BRONZE
 RECEPTACLE HOUSING: UL 94V-0 RATED LCP, COLOR BLACK
 BRACKET: ZINC
 METAL SHELL: CARBON STEEL,
 BOARDLOCKS: COPPER ALLOY.
- 3 FINISH
 CONTACTS: GOLD FLASH OVER PALLADIUM-NICKEL PLATE, 0.00076 [.000030] MIN TOTAL ON MATING SURFACES, 0.0038 TIN PLATE ON SOLDER-TAILS, 0.00127 [.000050] MIN NICKEL UNDERPLATE ON ENTIRE CONTACT. -OR- 0.00076 [.000030] MIN GOLD PLATE ON MATING SURFACES, 0.0038 [.000150] MIN TIN PLATE ON SOLDER-TAILS, 0.00127 [.000050] MIN NICKEL UNDERPLATE ON ENTIRE CONTACT.
 METAL SHELL: 0.00508-0.01016 [.000200-.000400] TIN OVER 0.00127-0.00254 [.000050-.000100] COPPER.
 BRACKET: 0.00508-0.01016 [.000200-.000400] TIN OVER 0.00508-0.00762 [.000200-.000300] COPPER.
 BOARDLOCKS: 0.00508-0.01016 [.000200-.000400] TIN OVER 0.00127-0.00254 [.000050-.000100] NICKEL.



**COPYRIGHT 2005
 TYCO ELECTRONICS CORP
 ALL RIGHTS RESERVED**

THIS DRAWING IS A CONTROLLED DOCUMENT.		DIN L VARELA - 02-23-05	Tyco Electronics Corporation Harrisburg, PA 17105-3608
DIMENSIONS: mm [INCHES]		CHK S. SHUFY 02-23-05	
TOLERANCES UNLESS OTHERWISE SPECIFIED:		APVD M. WALMSLEY 02-23-05	RECEPTACLE ASSEMBLY, 52 POSN STACKED RIGHT ANGLE, AMPLIMITE .050 Series SLIMLINE
0 PLC ± -		NAME	
1 PLC ± -		PRODUCT SPEC	108-1366
2 PLC ± 0.13 [0.005]		APPLICATION SPEC	114-40036
3 PLC ± -		SIZE	A1
4 PLC ± -		WEIGHT	00779
ANGLES ± °		CAGE CODE	5786200
FINISH		DRAWING NO	5786200
2		RESTRICTED TO	
3		CUSTOMER DRAWING	
		SCALE	4:1
		SHEET	1 OF 1
		REV	B