



Chipsmall Limited consists of a professional team with an average of over 10 year of expertise in the distribution of electronic components. Based in Hongkong, we have already established firm and mutual-benefit business relationships with customers from,Europe,America and south Asia,supplying obsolete and hard-to-find components to meet their specific needs.

With the principle of "Quality Parts,Customers Priority,Honest Operation,and Considerate Service",our business mainly focus on the distribution of electronic components. Line cards we deal with include Microchip,ALPS,ROHM,Xilinx,Pulse,ON,Everlight and Freescale. Main products comprise IC,Modules,Potentiometer,IC Socket,Relay,Connector.Our parts cover such applications as commercial,industrial, and automotives areas.

We are looking forward to setting up business relationship with you and hope to provide you with the best service and solution. Let us make a better world for our industry!



Contact us

Tel: +86-755-8981 8866 Fax: +86-755-8427 6832

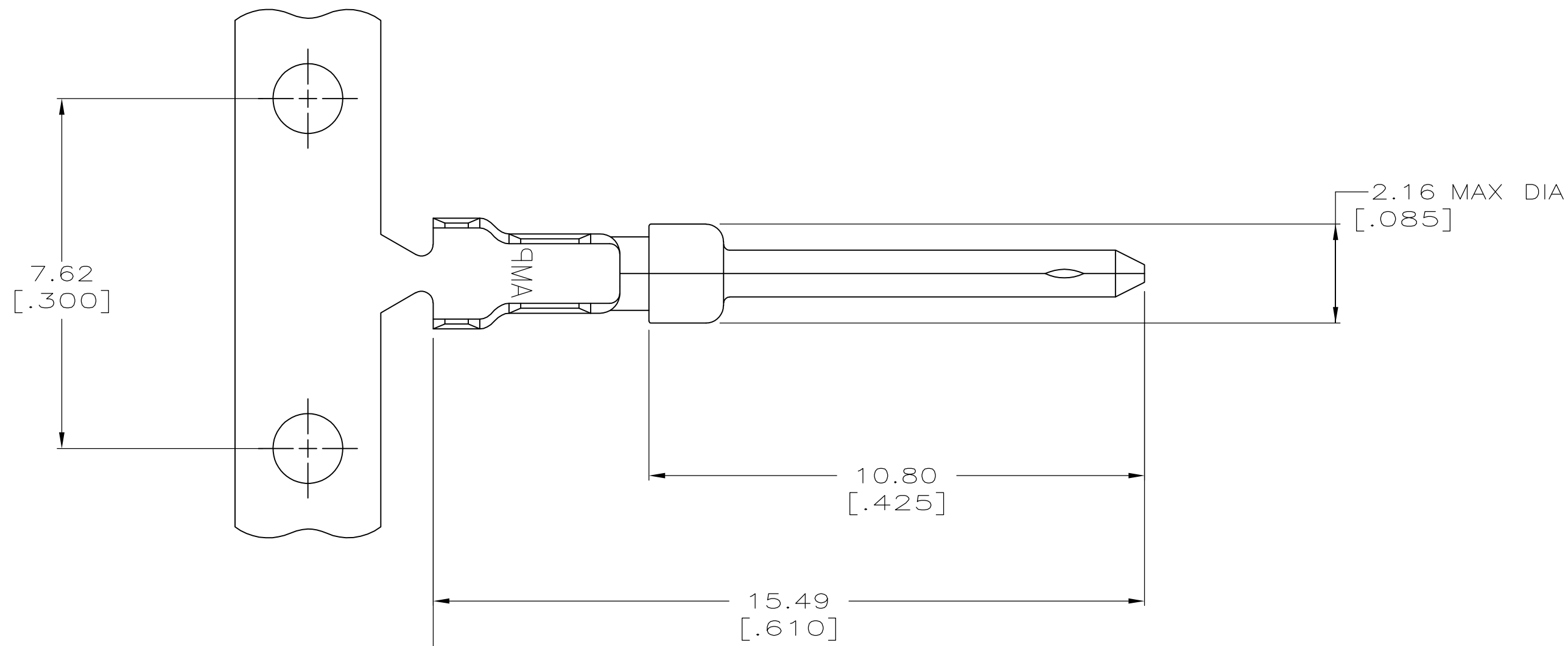
Email & Skype: info@chipsmall.com Web: www.chipsmall.com

Address: A1208, Overseas Decoration Building, #122 Zhenhua RD., Futian, Shenzhen, China



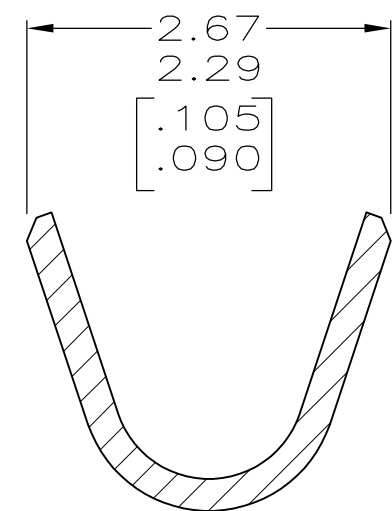
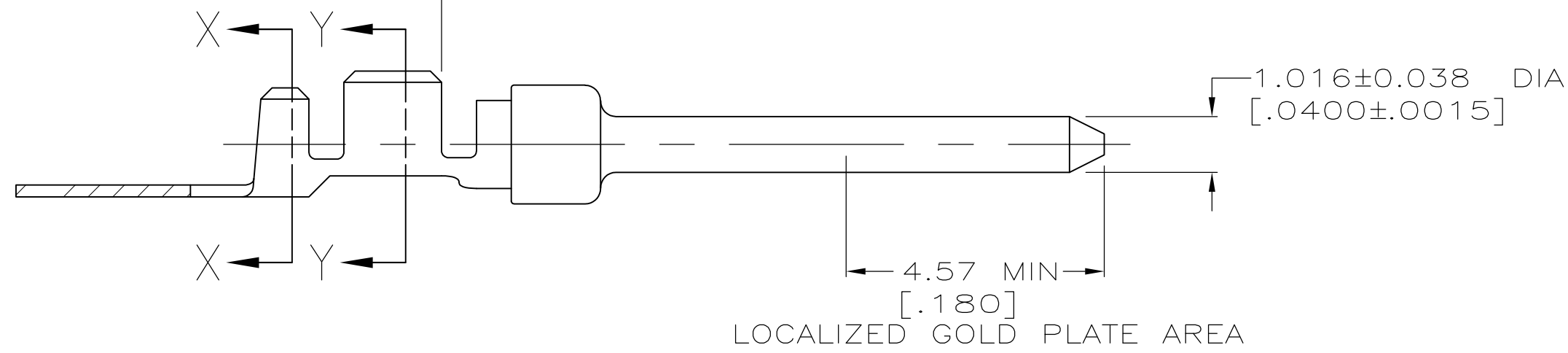
THIS DRAWING IS UNPUBLISHED. RELEASED FOR PUBLICATION
 © COPYRIGHT BY TYCO ELECTRONICS CORPORATION. ALL INTERNATIONAL RIGHTS RESERVED.

LOC	DIST	REVISIONS					
GP	00	P	LTR	DESCRIPTION	DATE	DWN	APVD
		B		REVISED PER ECO-08-007460	24JUN2008	ZMRC	WJR

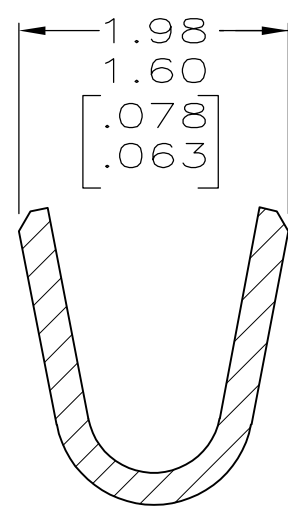


1 PLATED AS FOLLOWS:
 0.76µm [.000030] MIN GOLD IN LOCALIZED GOLD PLATE AREA, 2.54µm [.000100] MIN TIN ON TIN PLATE AREA, ALL OVER 1.27µm [.000050] MIN NICKEL UNDERPLATE.
 OR
 GOLD FLASH OVER PALLADIUM-NICKEL PLATE, 0.76µm [.000030] MIN TOTAL IN LOCALIZED GOLD PLATE AREA, 2.54µm [.000100] MIN TIN ON TIN PLATE AREA, ALL OVER 1.27µm [.000050] MIN NICKEL UNDERPLATE.

TIN PLATE AREA



SECTION X-X
SCALE 20:1



SECTION Y-Y
SCALE 20:1

5786743-2
PART NO

THIS DRAWING IS A CONTROLLED DOCUMENT.		DWN G. ATTADIA 11-11-04	Tyco Electronics Corporation	
DIMENSIONS: INCHES		CHK J. GERACE 11-11-04	Harrisburg, PA 17105-3608	
TOLERANCES UNLESS OTHERWISE SPECIFIED:		APVD M. WALMSLEY 11-11-04	NAME	
0 PLC ± -	PRODUCT SPEC	PIN CONTACT, 20-24 AWG, 1.27-1.52 DIA		
1 PLC ± -	APPLICATION SPEC	[.050-.060] INSULATION SUPPORT, SIZE 20 DF		
2 PLC ± 0.13 [.005]	108-40005	SIZE A2	CAGE CODE 00779	DRAWING NO C=5786743
3 PLC ± -	114-10000	RESTRICTED TO	-	
4 PLC ± -	FINISH	SCALE 10:1 SHEET 1 of 1 REV B		
ANGLES ± -	1	CUSTOMER DRAWING		
MATERIAL BRASS				