



Chipsmall Limited consists of a professional team with an average of over 10 year of expertise in the distribution of electronic components. Based in Hongkong, we have already established firm and mutual-benefit business relationships with customers from,Europe,America and south Asia,supplying obsolete and hard-to-find components to meet their specific needs.

With the principle of "Quality Parts,Customers Priority,Honest Operation,and Considerate Service",our business mainly focus on the distribution of electronic components. Line cards we deal with include Microchip,ALPS,ROHM,Xilinx,Pulse,ON,Everlight and Freescale. Main products comprise IC,Modules,Potentiometer,IC Socket,Relay,Connector.Our parts cover such applications as commercial,industrial, and automotives areas.

We are looking forward to setting up business relationship with you and hope to provide you with the best service and solution. Let us make a better world for our industry!



Contact us

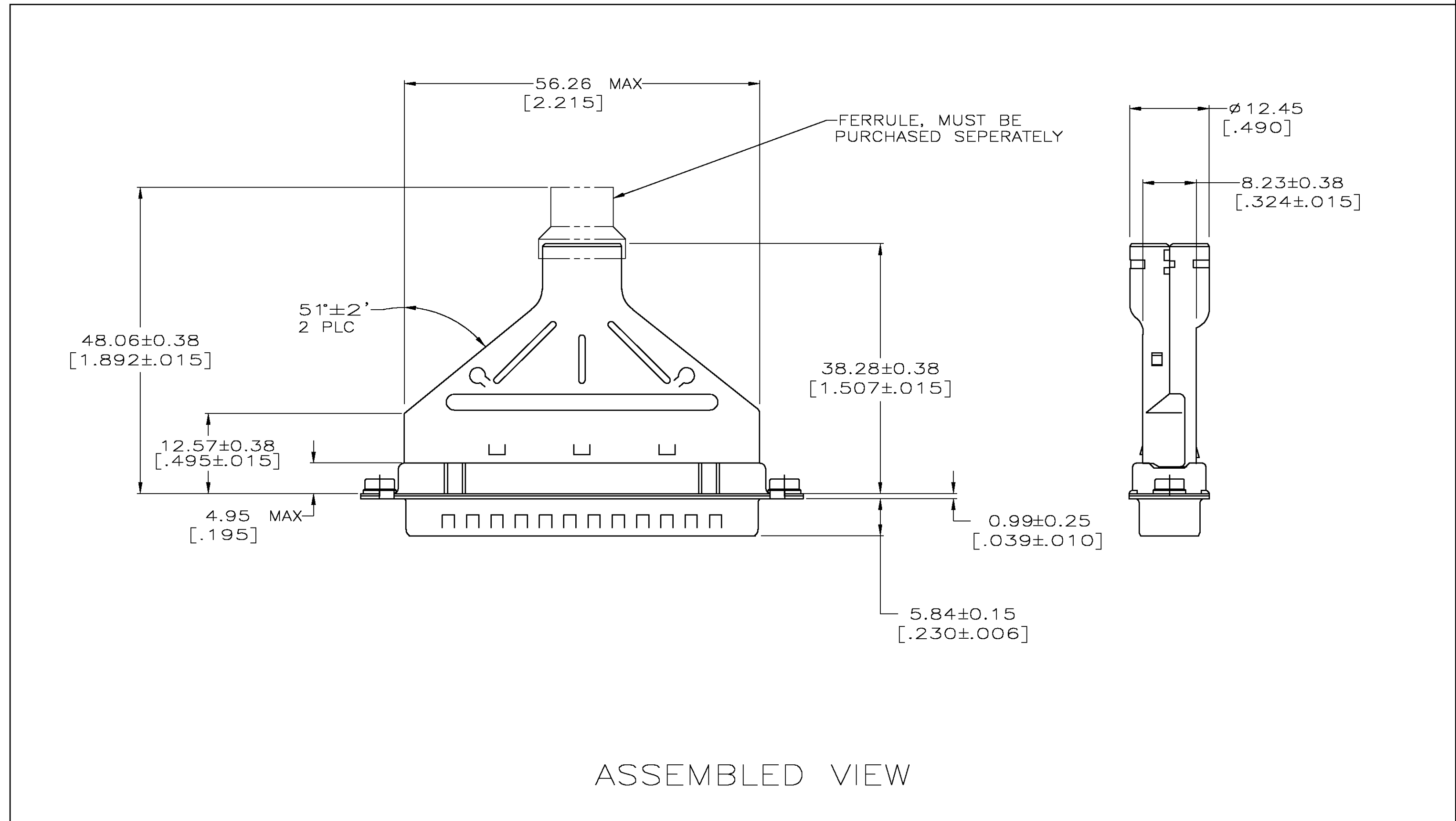
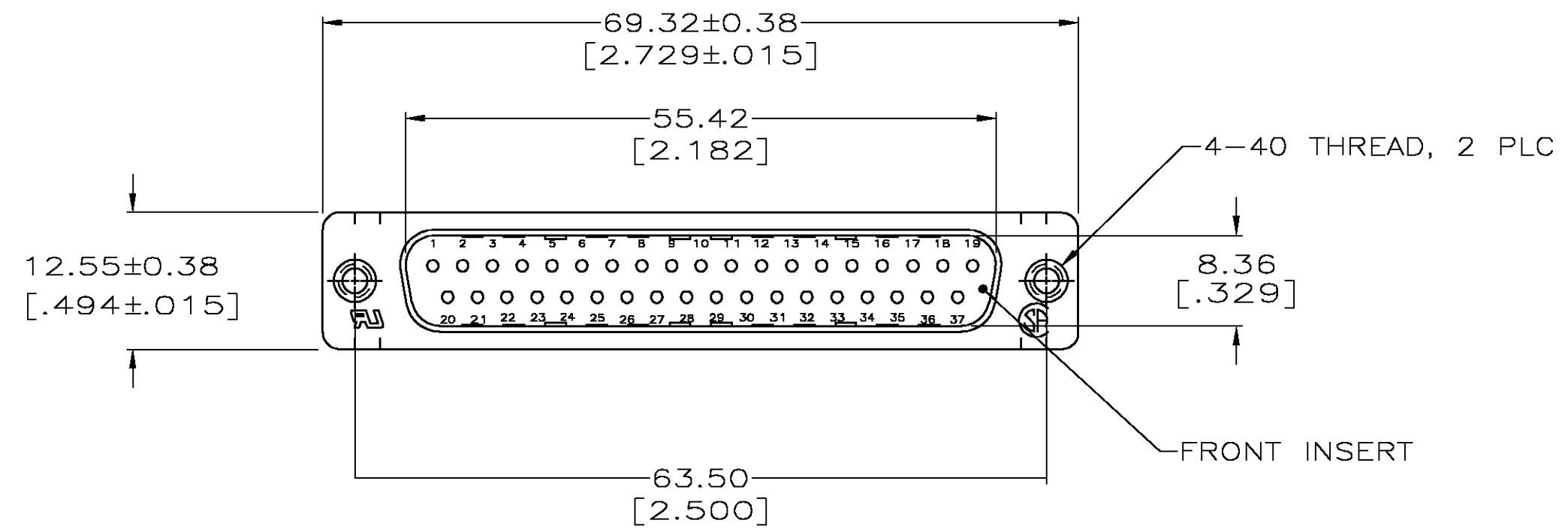
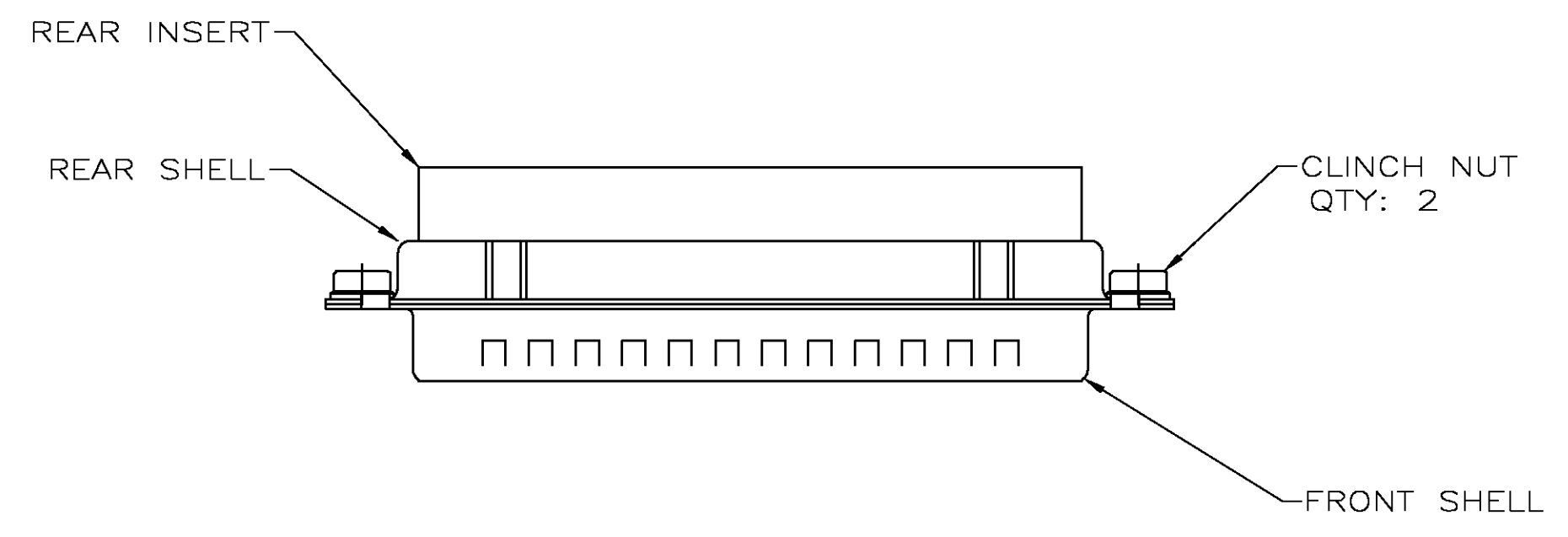
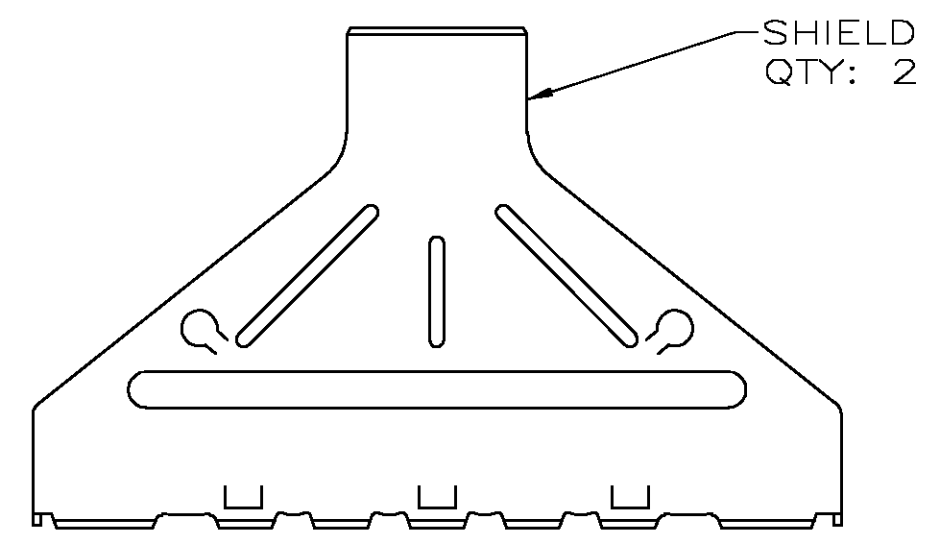
Tel: +86-755-8981 8866 Fax: +86-755-8427 6832

Email & Skype: info@chipsmall.com Web: www.chipsmall.com

Address: A1208, Overseas Decoration Building, #122 Zhenhua RD., Futian, Shenzhen, China



LOC		DIST		REVISIONS			
P	LTR	DESCRIPTION	DATE	DWN	APVD		
0		RELEASED PER EC 0S13-0257-04	11-11-04	GA	JG		



ASSEMBLED VIEW

- 1 SHELLS, SHIELDS & CLINCH NUTS: CARBON STEEL.
- 2 SHELLS & SHIELDS: 5.08 μm [.000200] MIN TIN OVER 2.54 μm [.000100] MIN COPPER.
- 3 INSERTS: NYLON, UL 94V-0 RATED, GLASS FILLED, BLACK.
- 4 CLINCH NUTS: ZINC PLATED, YELLOW CHROMATE.

5786929-1
PART NO

THIS DRAWING IS A CONTROLLED DOCUMENT.		DWN G. ATTADIA - DOCK5	11-11-04	Tyco Electronics Corporation Harrisburg, PA 17105-3608
DIMENSIONS: mm [INCHES]		CHK J. GERACE	11-11-04	
TOLERANCES UNLESS OTHERWISE SPECIFIED:		APVD M. WALMSLEY	11-11-04	NAME PLUG KIT, UNASSEMBLED, SIZE 4, 37 POSITION, WITH SHIELDING HARDWARE AND CLINCH NUT, HDP-20 AMPLIMITE
0 PLC ± -		PRODUCT SPEC	108-40005 & 108-40030	
1 PLC ± -		APPLICATION SPEC	114-40030	
2 PLC ± 0.13 [005]		SIZE	A1	
3 PLC ± -		WEIGHT	-	RESTRICTED TO
4 PLC ± -		CAGE CODE	00779	REV
ANGLES ± -		DRAWING NO	C-5786929	Q
FINISH		CUSTOMER DRAWING	SCALE 4:1	SHEET 1 OF 1