



Chipsmall Limited consists of a professional team with an average of over 10 year of expertise in the distribution of electronic components. Based in Hongkong, we have already established firm and mutual-benefit business relationships with customers from,Europe,America and south Asia,supplying obsolete and hard-to-find components to meet their specific needs.

With the principle of “Quality Parts,Customers Priority,Honest Operation,and Considerate Service”,our business mainly focus on the distribution of electronic components. Line cards we deal with include Microchip,ALPS,ROHM,Xilinx,Pulse,ON,Everlight and Freescale. Main products comprise IC,Modules,Potentiometer,IC Socket,Relay,Connector.Our parts cover such applications as commercial,industrial, and automotives areas.

We are looking forward to setting up business relationship with you and hope to provide you with the best service and solution. Let us make a better world for our industry!



## Contact us

Tel: +86-755-8981 8866 Fax: +86-755-8427 6832

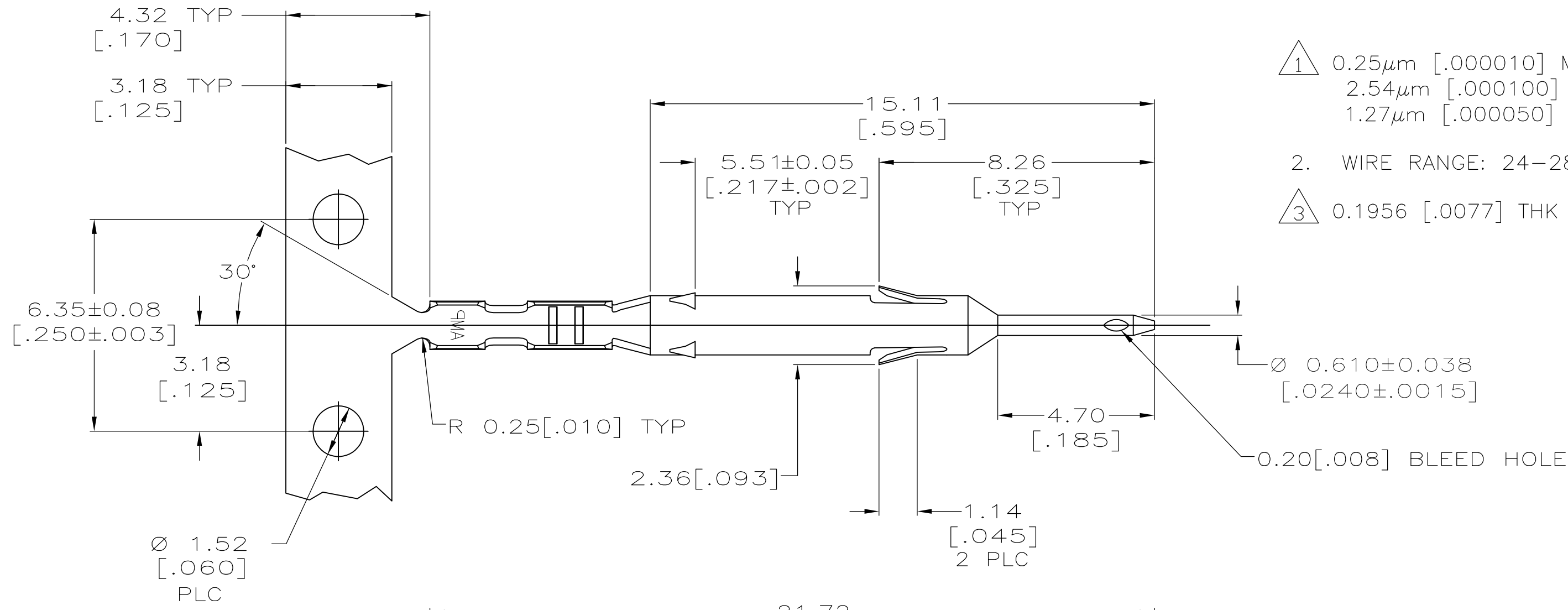
Email & Skype: info@chipsmall.com Web: www.chipsmall.com

Address: A1208, Overseas Decoration Building, #122 Zhenhua RD., Futian, Shenzhen, China

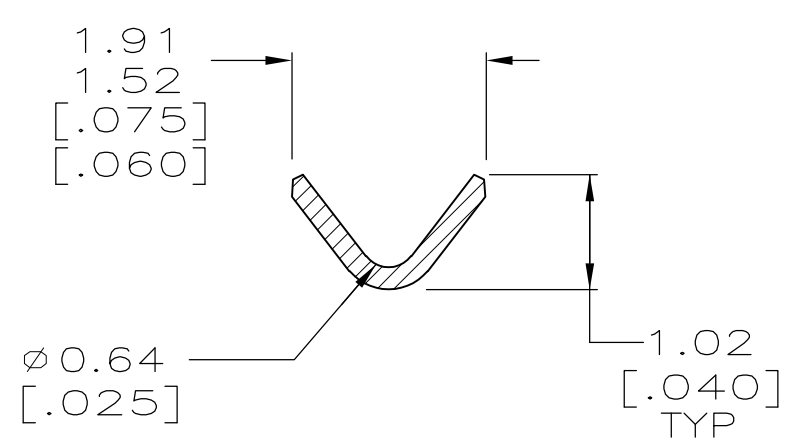
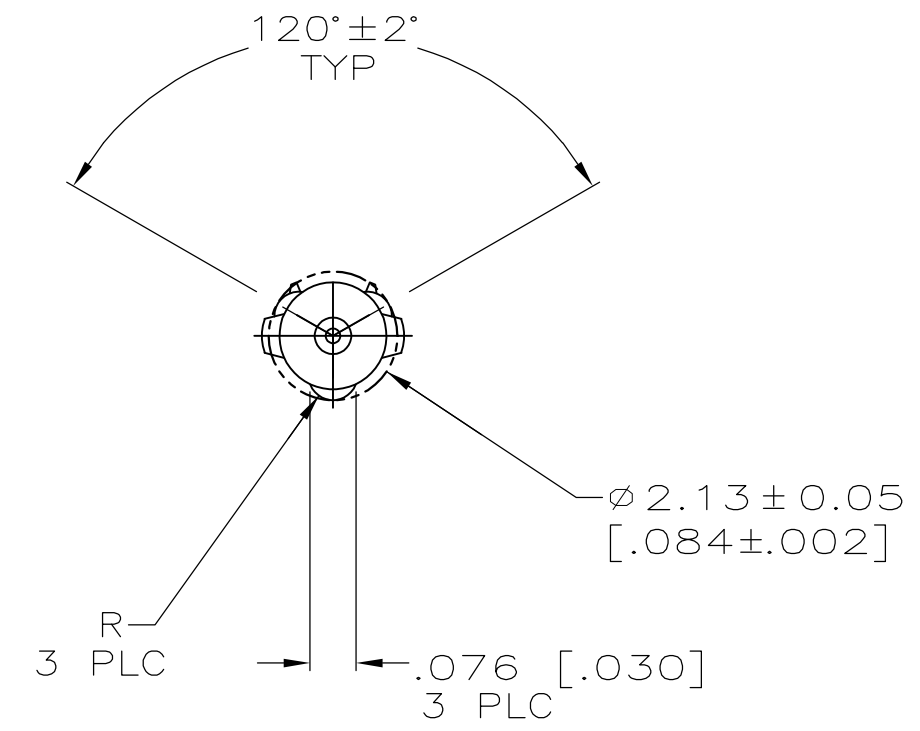
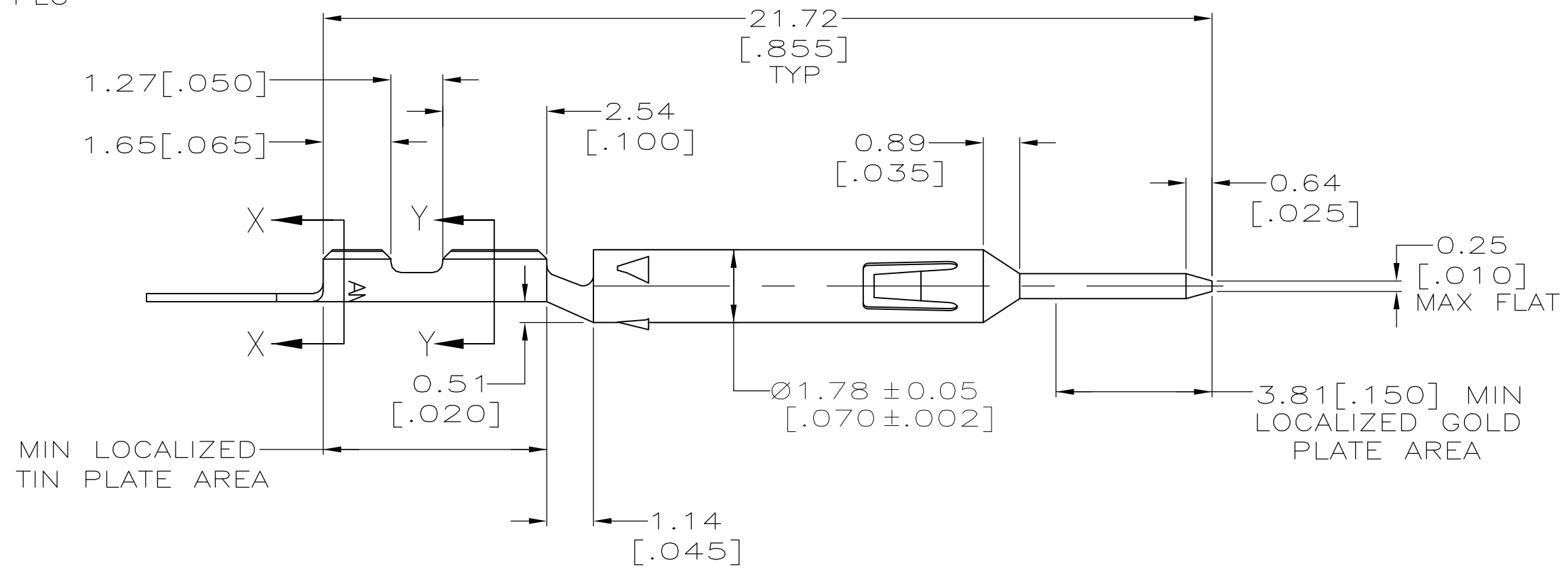


THIS DRAWING IS UNPUBLISHED. RELEASED FOR PUBLICATION  
 © COPYRIGHT BY TYCO ELECTRONICS CORPORATION. ALL INTERNATIONAL RIGHTS RESERVED.

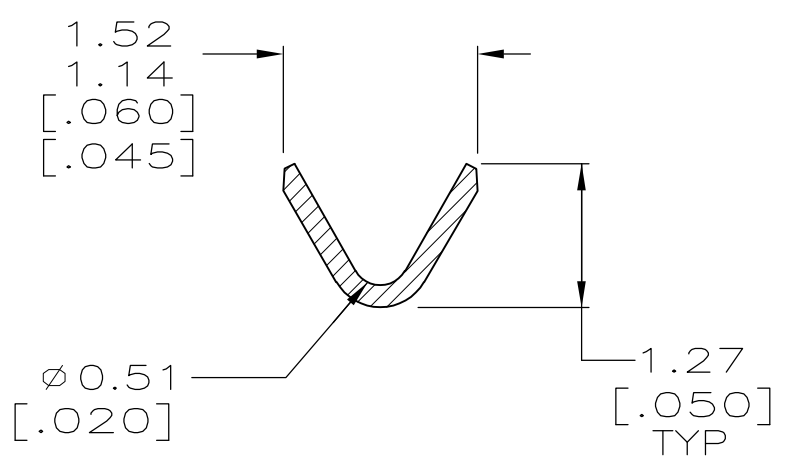
LOC	DIST	REVISIONS			
P	LTR	DESCRIPTION	DATE	DWN	APVD
GP	00	A	REVISED PER ECO-08-027698	13-NOV-08	ZMRCWR



- 1 0.25µm [.000010] MIN GOLD IN LOCALIZED GOLD PLATE AREA, 2.54µm [.000100] MIN TIN IN LOCALIZED TIN PLATE, BOTH OVER 1.27µm [.000050] MIN NICKEL.
- 2. WIRE RANGE: 24-28; INSULATION RANGE: Ø0.51-0.76 [.020-.030].
- 3 0.1956 [.0077] THK BRASS PER ASTM B36.



SECTION X-X  
 SCALE 15:1



SECTION Y-Y  
 SCALE 15:1

THIS DRAWING IS A CONTROLLED DOCUMENT.		DWN G. ATTADIA - DOCK5 11-11-04	1 5787113-3	
DIMENSIONS: mm [INCHES]		CHK J. GERACE 11-11-04	PART NUMBER	
TOLERANCES UNLESS OTHERWISE SPECIFIED:		APVD M. WALMSLEY 11-11-04	FINISH	
0 PLC ± -		PRODUCT SPEC -	Tyco Electronics Tyco Electronics Corporation Harrisburg, PA 17105-3608	
1 PLC ± -		APPLICATION SPEC -	NAME PIN CONTACT, SPECIAL, AMPLIMITE	
2 PLC ± 0.13 [.005]		WEIGHT -	SIZE A2	CAGE CODE 00779
3 PLC ± -		FINISH SEE TABLE	DRAWING NO C=5787113	RESTRICTED TO -
4 PLC ± -			SCALE 8:1	SHEET 1 of 1
ANGLES ± 2°				REV A
MATERIAL 3				
		CUSTOMER DRAWING		