



Chipsmall Limited consists of a professional team with an average of over 10 year of expertise in the distribution of electronic components. Based in Hongkong, we have already established firm and mutual-benefit business relationships with customers from,Europe,America and south Asia,supplying obsolete and hard-to-find components to meet their specific needs.

With the principle of “Quality Parts,Customers Priority,Honest Operation,and Considerate Service”,our business mainly focus on the distribution of electronic components. Line cards we deal with include Microchip,ALPS,ROHM,Xilinx,Pulse,ON,Everlight and Freescale. Main products comprise IC,Modules,Potentiometer,IC Socket,Relay,Connector.Our parts cover such applications as commercial,industrial, and automotives areas.

We are looking forward to setting up business relationship with you and hope to provide you with the best service and solution. Let us make a better world for our industry!



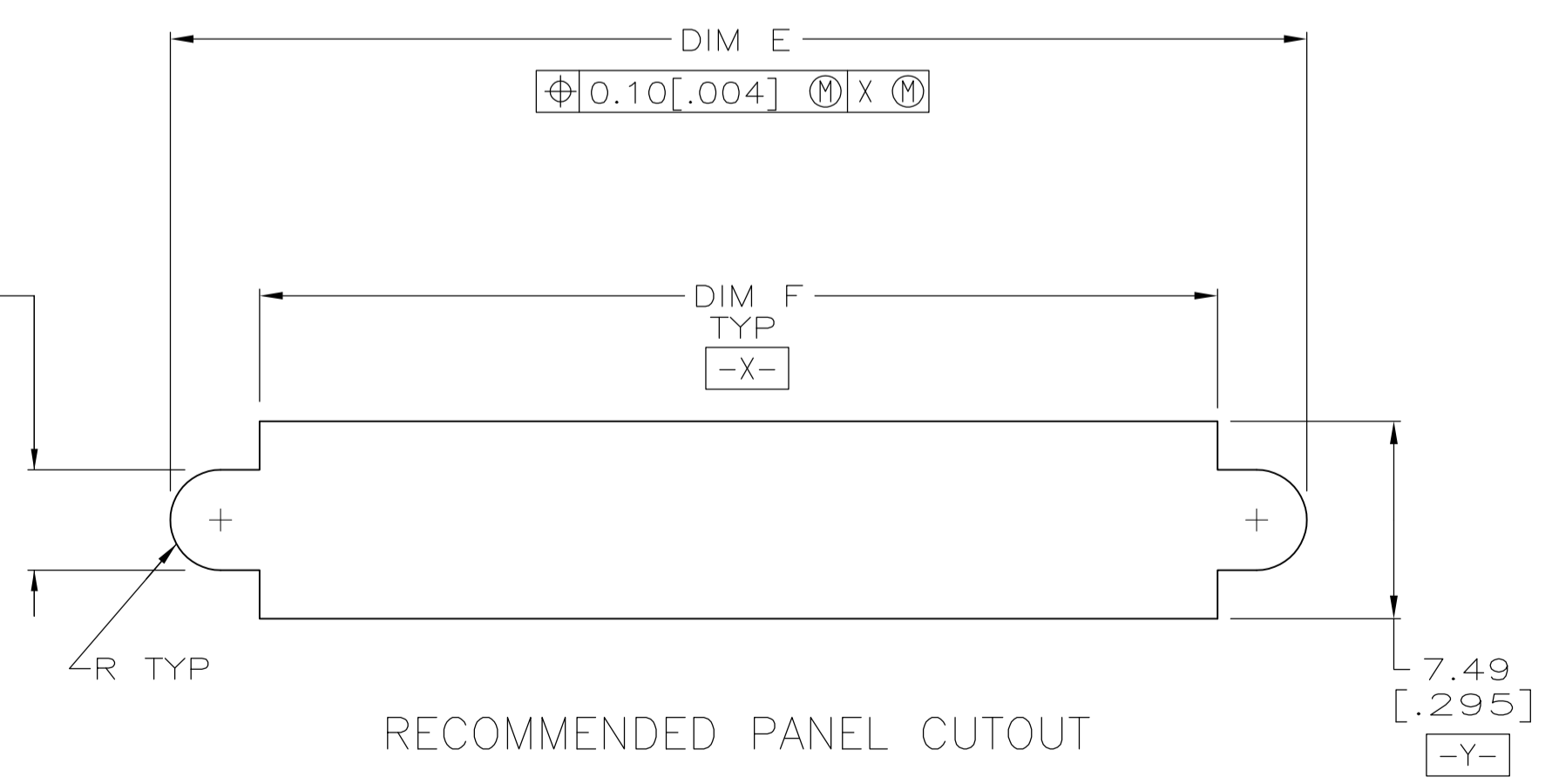
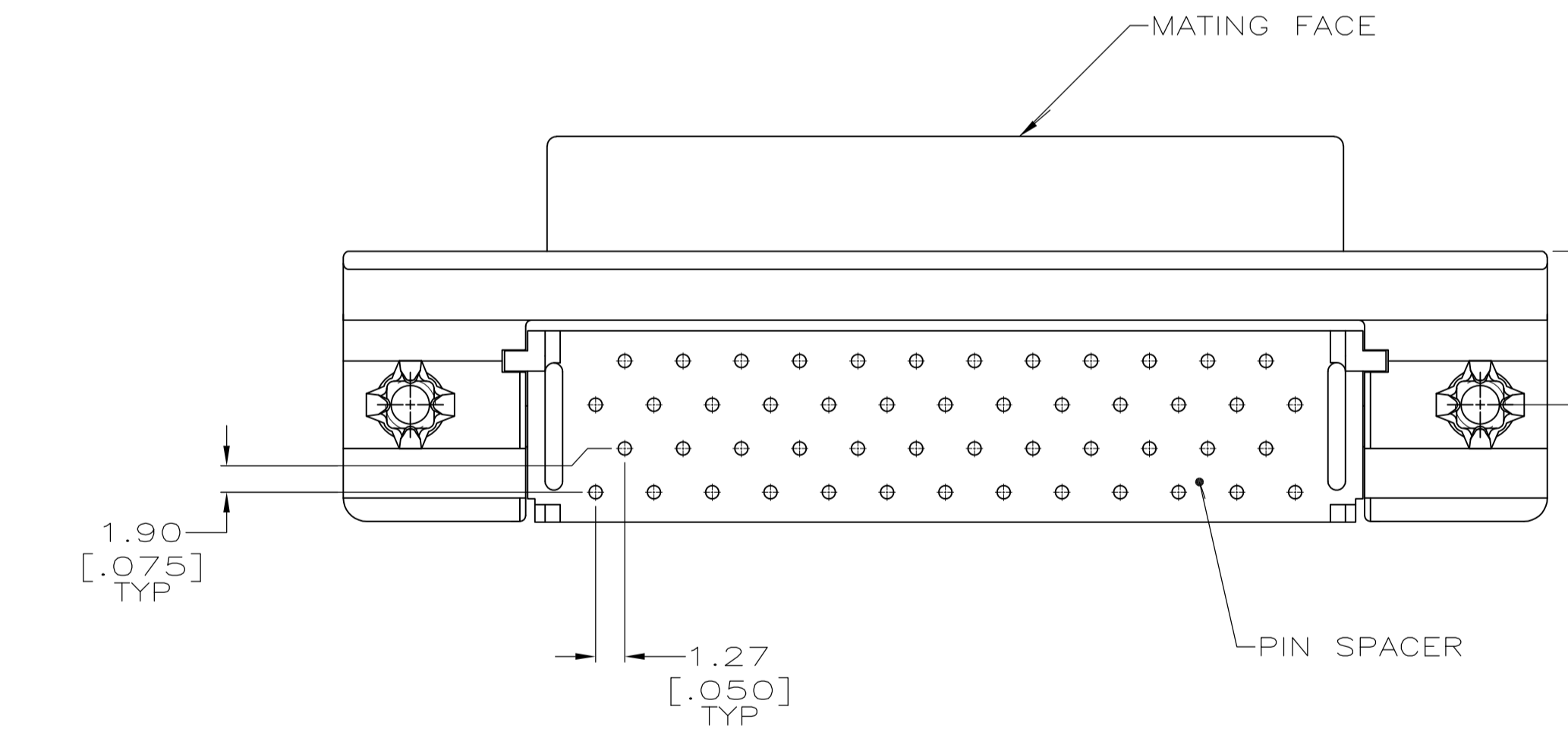
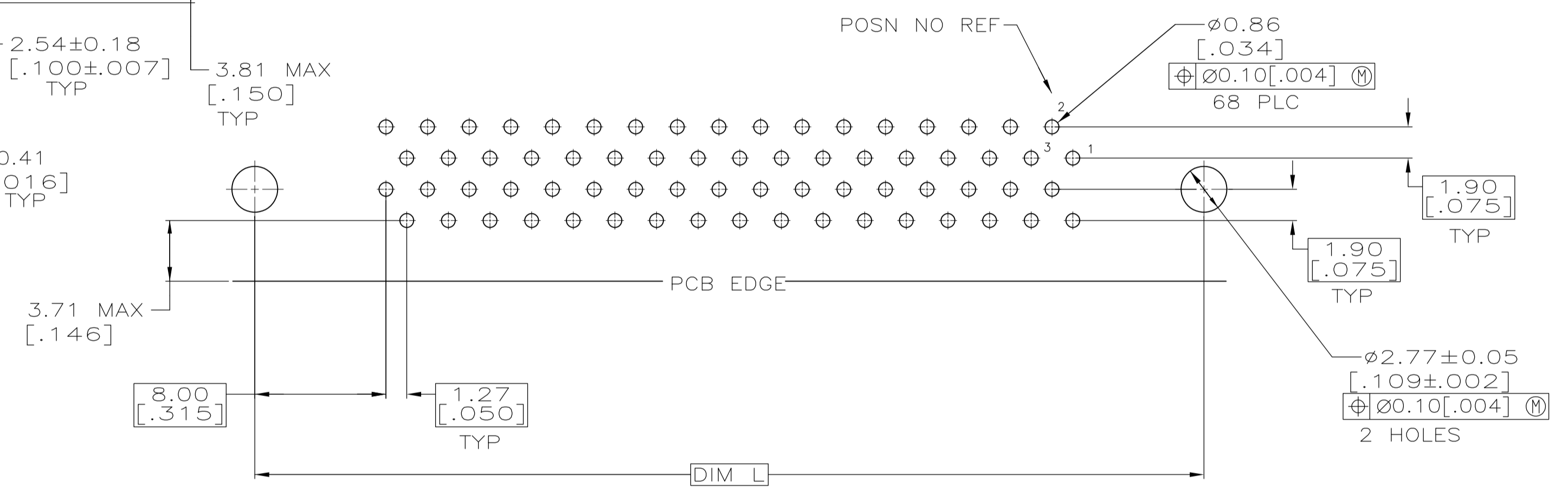
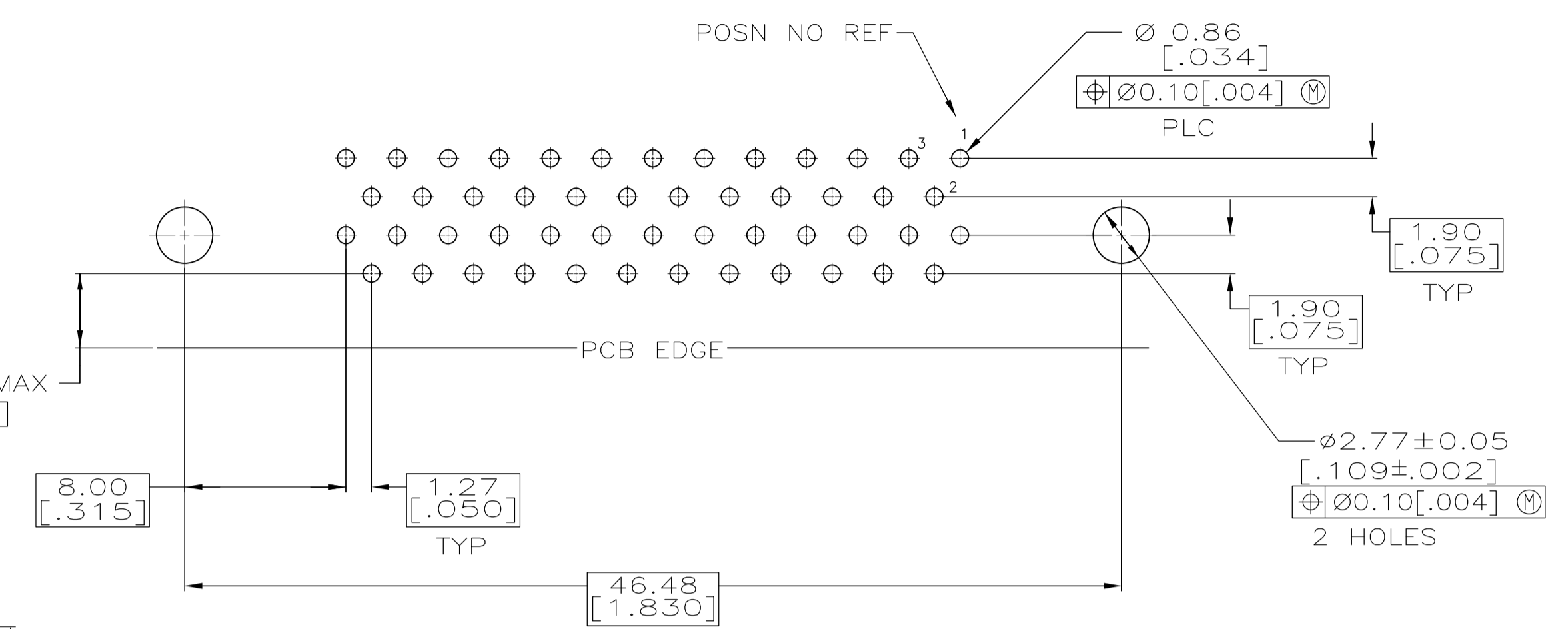
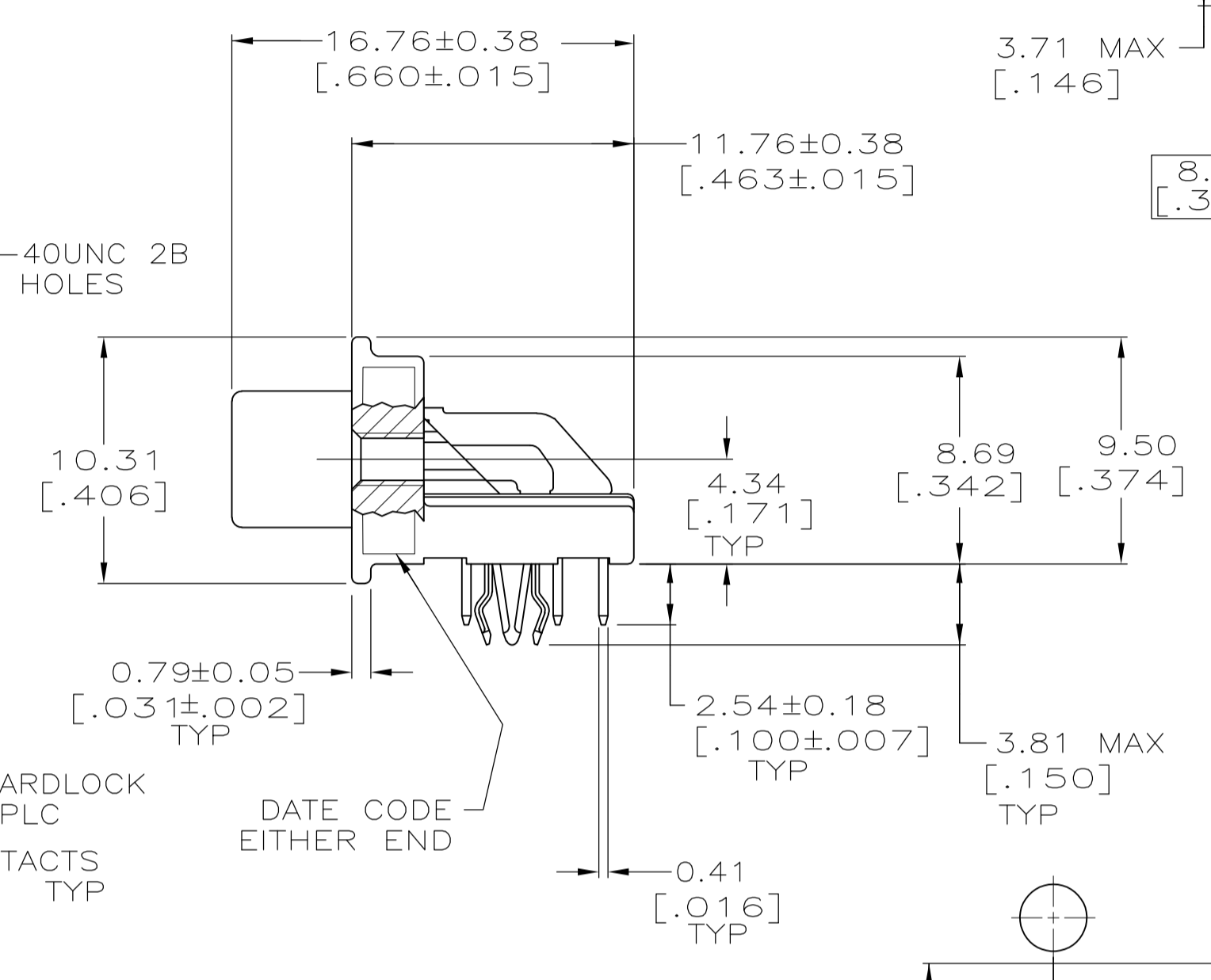
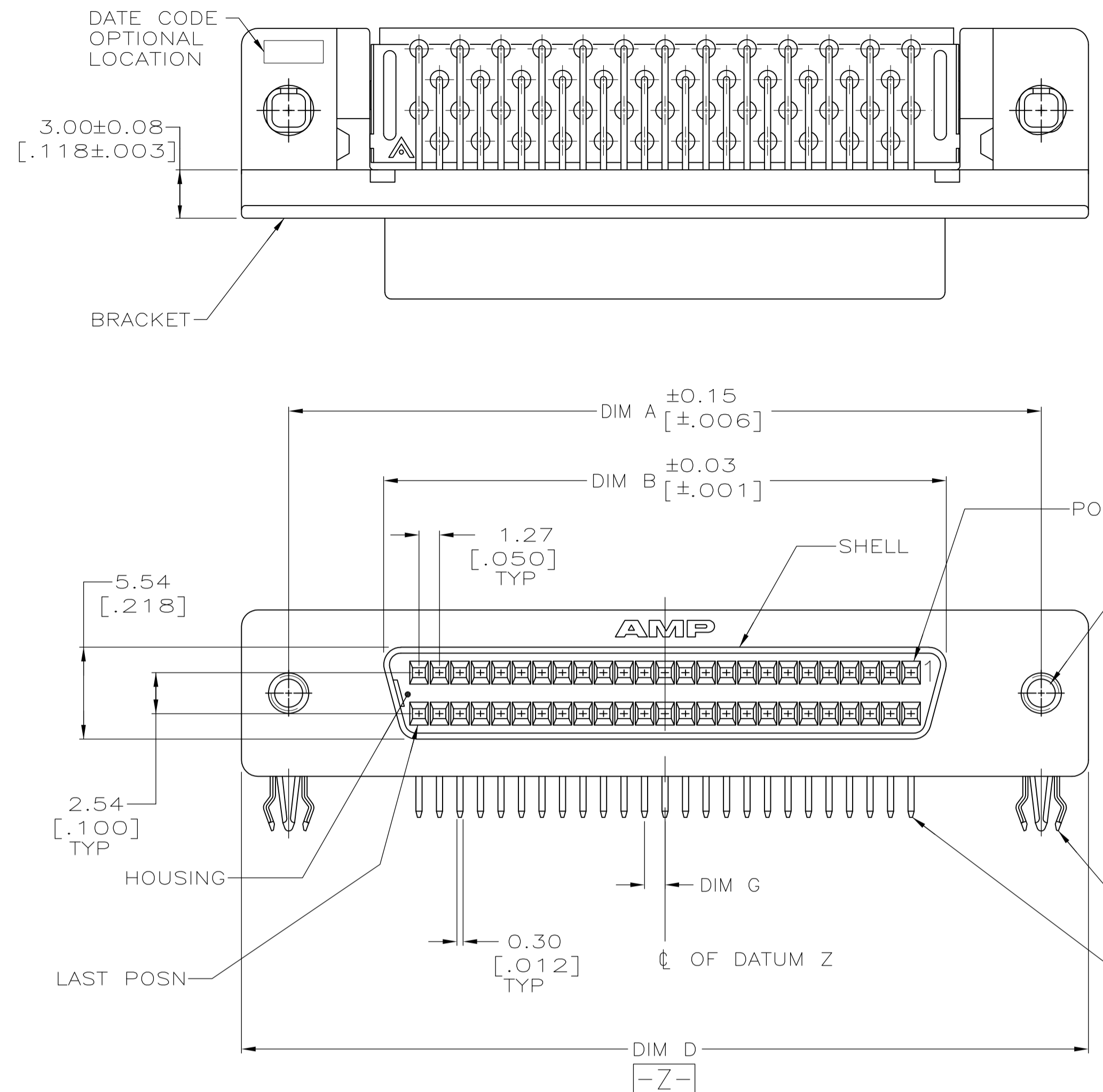
## Contact us

Tel: +86-755-8981 8866 Fax: +86-755-8427 6832

Email & Skype: info@chipsmall.com Web: www.chipsmall.com

Address: A1208, Overseas Decoration Building, #122 Zhenhua RD., Futian, Shenzhen, China





- 1 CONTACTS: PHOSPHOR BRONZE  
HOUSING & PIN SPACER: UL 94V-0 RATED, THERMOPLASTIC, BLACK  
BRACKET: ZINC  
SHELL: CARBON STEEL  
BOARDLOCKS: COPPER ALLOY
- 2 CONTACTS: EITHER 0.76µm [.000030] MIN GOLD PLATE FOR A LENGTH OF 0.64 [.025] MAX, 0.13 [.005] MIN FROM MATING END OR GOLD FLASH OVER PALLADIUM NICKEL PLATE, 0.76µm [.000030] MIN TOTAL FOR A LENGTH OF 0.64 [.025] MAX, 0.13 [.005] MIN FROM MATING END. 3.81µm [.000150] MIN TIN ON OPPOSITE END FOR A LENGTH OF 2.72 [.107] MIN, BOTH OVER 1.27µm [.000050] MIN NICKEL.  
SHELL: 5.08µm [.000200] MIN NICKEL OVER 1.27µm [.000050] MIN COPPER.  
BRACKET: 2.54µm [.000100] MIN NICKEL OVER 5.08µm [.000200] COPPER.  
BOARDLOCKS: 5.08µm [.000200] MIN TIN OVER 1.27µm [.000050] MIN NICKEL.

T	78.23 [3.080]	0.64 [.025]	69.44 [2.734]	82.04 [3.230]	84.20 [3.315]	66.45 [2.616]	78.23 [3.080]	100	5787170-9
T	57.91 [2.280]	0.64 [.025]	61.72 [2.430]	63.88 [2.515]	46.13 [1.816]	57.91 [2.280]	68	5787170-7	
S	-	1.27 [.050]	37.69 [1.484]	50.29 [1.980]	52.45 [2.065]	34.70 [1.366]	46.48 [1.830]	50	5787170-5
T	40.13 [1.580]	0.64 [.025]	36.78 [1.448]	43.56 [1.715]	46.10 [1.815]	28.35 [1.116]	40.13 [1.580]	40	5787170-4
PC BOARD PATTERN	L	G	F	E	D	B	A	NO OF POSN	PART NUMBER

THIS DRAWING IS A CONTROLLED DOCUMENT.

DIMENSIONS: mm [INCHES]

TOLERANCES UNLESS OTHERWISE SPECIFIED:

0 PLC	± .005
1 PLC	± .005
2 PLC	± 0.13 [.005]
3 PLC	± .005
4 PLC	± .005
ANGLES	± .005

MATERIAL: 1 FINISH: 2

APPROVED: G. ATTADIA - DOCKS 02-14-05  
CHK: J. GRACE 02-14-05  
APPROVED: M. WALMSLEY 02-14-05

NAME: RECEPTACLE ASSEMBLY, SHIELDED, RIGHT ANGLE, .050 SERIES, AMPLIMITE

PRODUCT SPEC: 108-1228

APPLICATION SPEC: 114-40029

WEIGHT: -

SIZE: A1

CAGE CODE: 00779

DRAWING NO: 5787170

RESTRICTED TO: -

CUSTOMER DRAWING

SCALE: 4:1

SHEET: 1 OF 1

REV: B1

STE TE Connectivity