



Chipsmall Limited consists of a professional team with an average of over 10 year of expertise in the distribution of electronic components. Based in Hongkong, we have already established firm and mutual-benefit business relationships with customers from,Europe,America and south Asia,supplying obsolete and hard-to-find components to meet their specific needs.

With the principle of “Quality Parts,Customers Priority,Honest Operation,and Considerate Service”,our business mainly focus on the distribution of electronic components. Line cards we deal with include Microchip,ALPS,ROHM,Xilinx,Pulse,ON,Everlight and Freescale. Main products comprise IC,Modules,Potentiometer,IC Socket,Relay,Connector.Our parts cover such applications as commercial,industrial, and automotives areas.

We are looking forward to setting up business relationship with you and hope to provide you with the best service and solution. Let us make a better world for our industry!



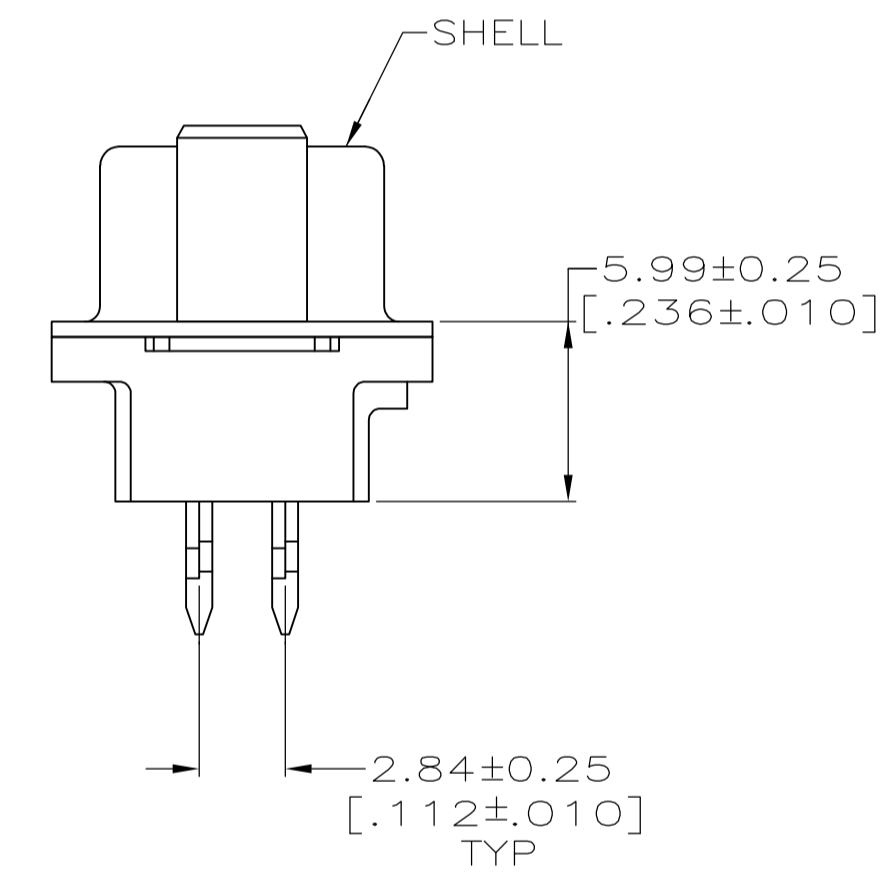
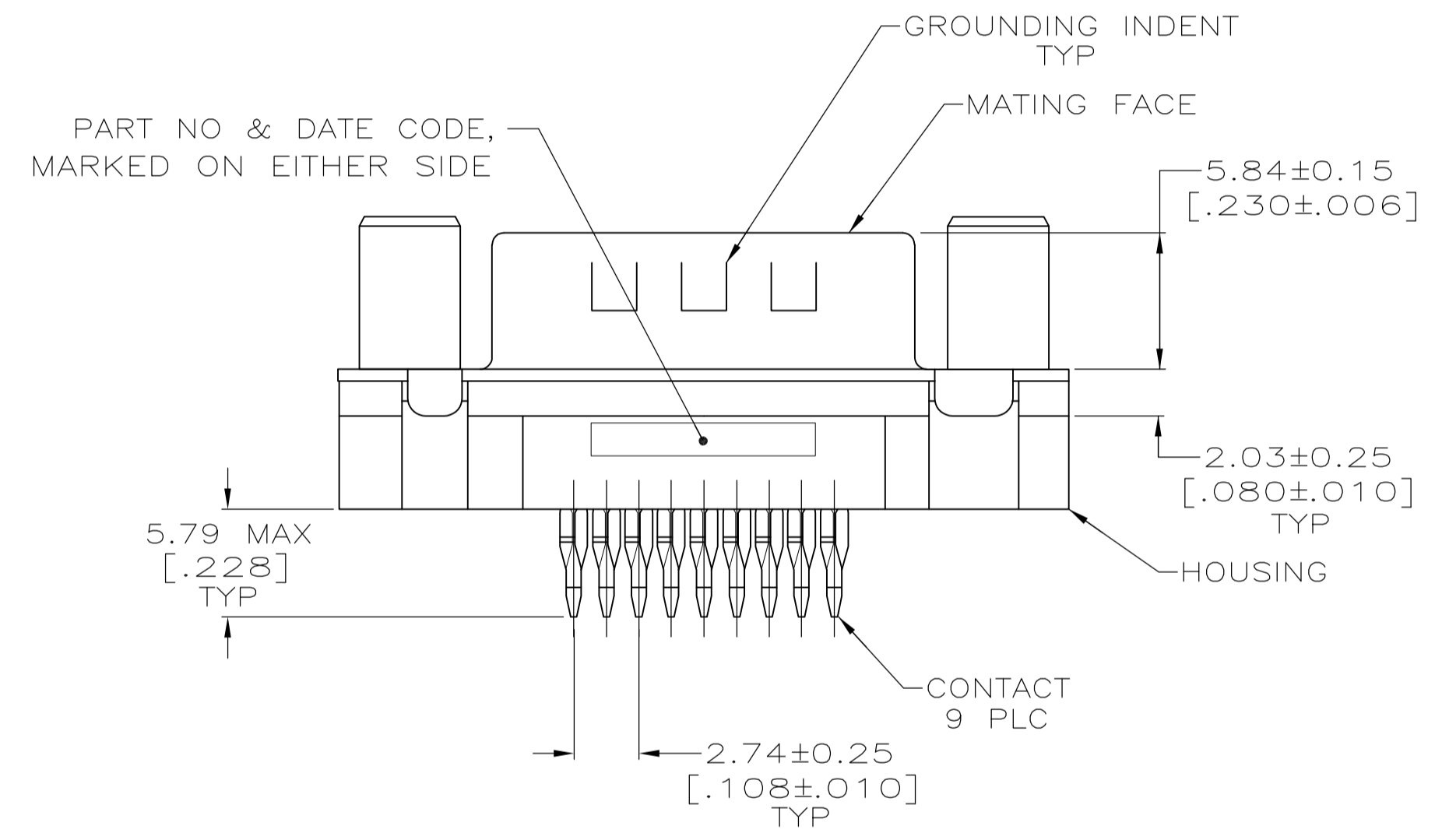
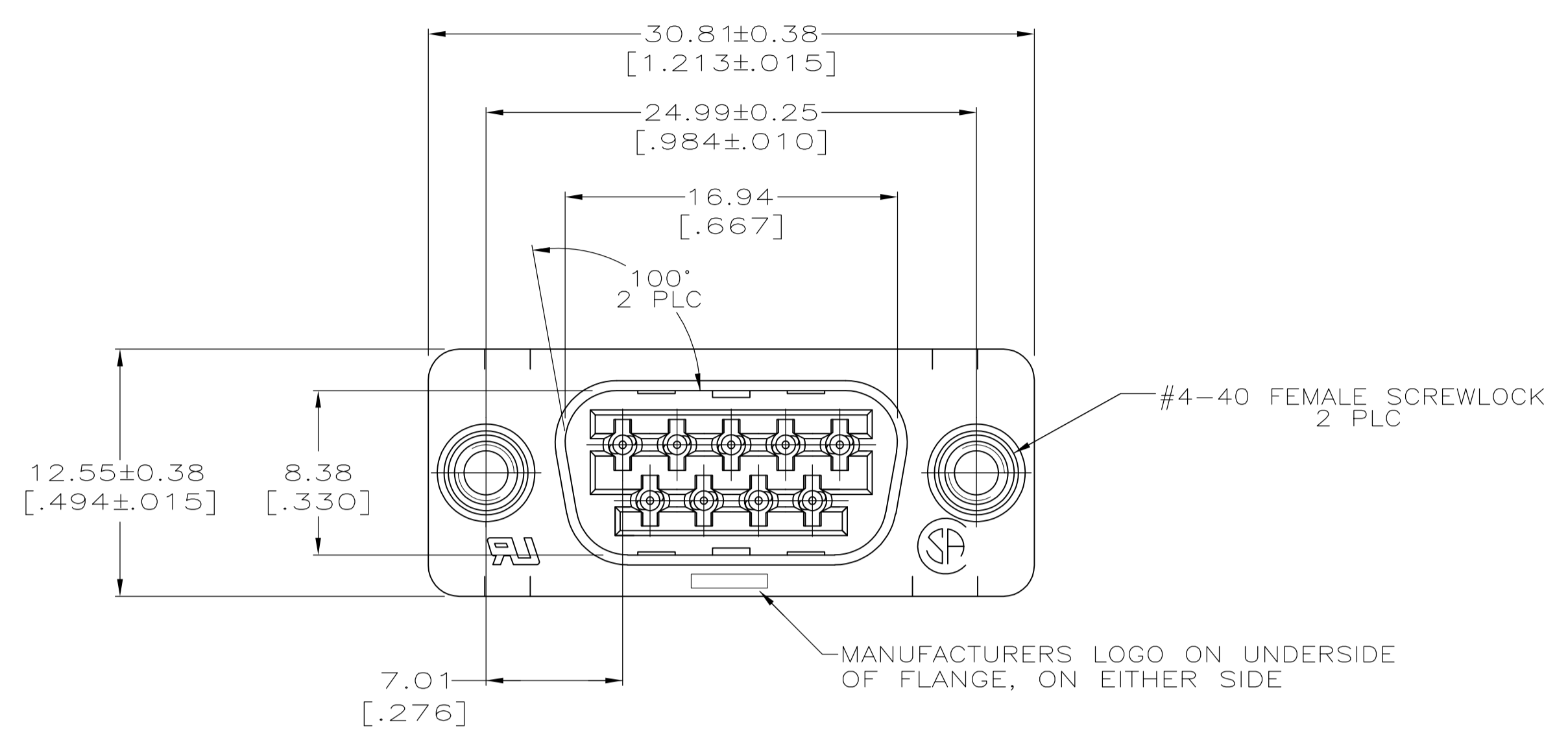
Contact us

Tel: +86-755-8981 8866 Fax: +86-755-8427 6832

Email & Skype: info@chipsmall.com Web: www.chipsmall.com

Address: A1208, Overseas Decoration Building, #122 Zhenhua RD., Futian, Shenzhen, China





- 1 FOR USE WITH 2.36 [.093] MINIMUM THICK PRINTED CIRCUIT BOARD. REFER TO APPLICATION SPECIFICATION FOR PRINTED CIRCUIT BOARD LAYOUT DIMENSIONS AND FINISH RECOMMENDATIONS.
- 2 HOUSING: NYLON, UL 94V-0 RATED, BLACK.
- 3 CONTACTS: COPPER ALLOY
- 4 SHELL: CARBON STEEL
- 5 SCREWLOCKS: ZINC
- 6 SHELL: 5.08 μ m [.000200] MIN TIN OVER 2.54 μ m [.000100] MIN COPPER.
- 7 CONTACTS:
0.76 MICRO METERS [.000030] MINIMUM GOLD IN MATING AREA.
2.54 MICRO METERS [.000100] MINIMUM TIN ON COMPLIANT PIN.
ALL OVER 1.27 MICRO METERS [.000050] MINIMUM NICKEL.
OR
GOLD FLASH OVER PALLADIUM NICKEL.
0.76 MICRO METERS [.000030] MINIMUM TOTAL IN MATING AREA.
2.54 MICRO METERS [.000100] MINIMUM TIN ON COMPLIANT PIN.
ALL OVER 1.27 MICRO METERS [.000050] MINIMUM NICKEL.
- 8 DATUMS AND BASIC DIMENSIONS ESTABLISHED BY CUSTOMERS.
- 9 SCREWLOCKS: ZINC.

5787176-1
PART NO

**COPYRIGHT 2005
TYCO ELECTRONICS CORP
ALL RIGHTS RESERVED**

THIS DRAWING IS A CONTROLLED DOCUMENT. DIMENSIONING AND TOLERANCING PER ASME Y14.5M-2009		DIN L VARELA - DOCKS 03-21-05 CHK S BOLASH 03-31-05 APPD M WALMSLEY 03-31-05	NAME PLUG ASSEMBLY, SIZE 1, 9 POSITION, MEDIUM PROFILE, ACTION PIN, AMPLIMITE HD-20
DIMENSIONS: INCHES	TOLERANCES UNLESS OTHERWISE SPECIFIED:	PRODUCT SPEC 108-40014	APPLICATION SPEC 114-40026 1
0' PLC ± -	1' PLC ± -	SIZE A1	WEIGHT -
2' PLC ± 0.13 [.005]	3' PLC ± -	CAGE CODE 00779	DRAWING NO 5787176
4' PLC ± -	ANGLES ± °	CUSTOMER DRAWING	SCALE 4:1
MATERIAL 2 3 4 5	FINISH 6 7 9	SHEET 1 OF 1	REV C