



Chipsmall Limited consists of a professional team with an average of over 10 year of expertise in the distribution of electronic components. Based in Hongkong, we have already established firm and mutual-benefit business relationships with customers from,Europe,America and south Asia,supplying obsolete and hard-to-find components to meet their specific needs.

With the principle of “Quality Parts,Customers Priority,Honest Operation,and Considerate Service”,our business mainly focus on the distribution of electronic components. Line cards we deal with include Microchip,ALPS,ROHM,Xilinx,Pulse,ON,Everlight and Freescale. Main products comprise IC,Modules,Potentiometer,IC Socket,Relay,Connector.Our parts cover such applications as commercial,industrial, and automotives areas.

We are looking forward to setting up business relationship with you and hope to provide you with the best service and solution. Let us make a better world for our industry!



Contact us

Tel: +86-755-8981 8866 Fax: +86-755-8427 6832

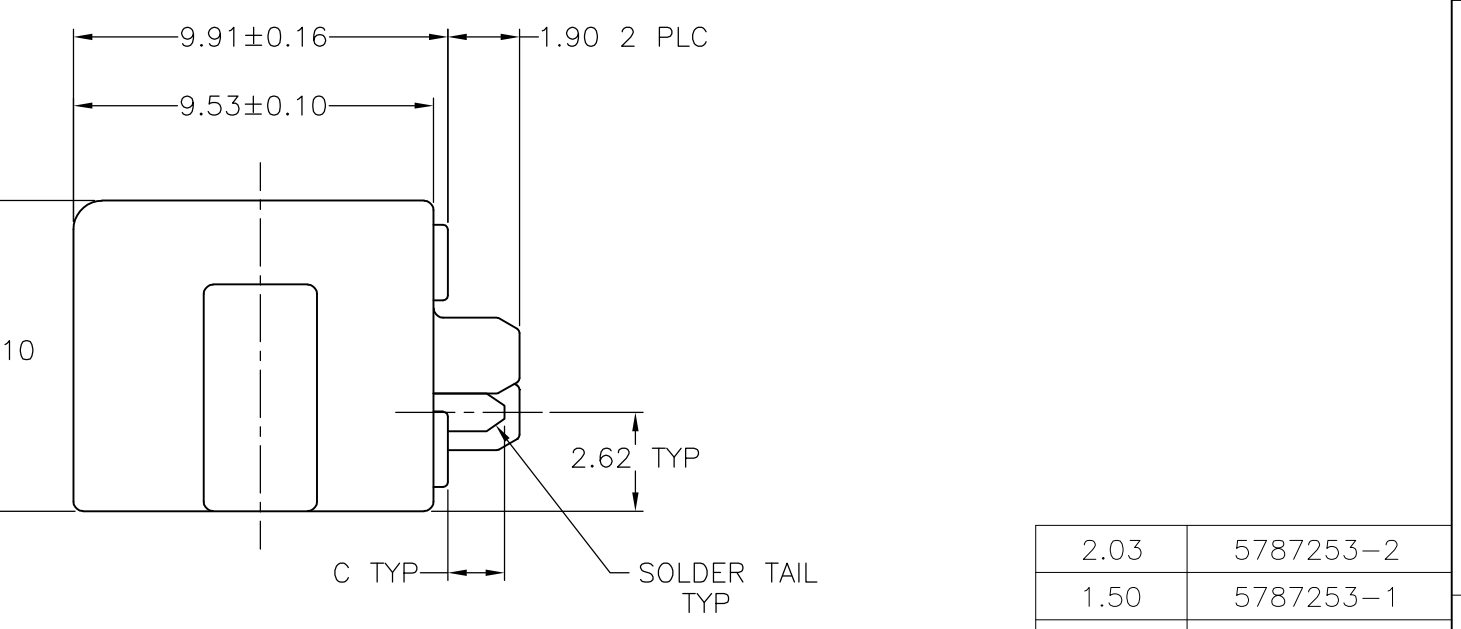
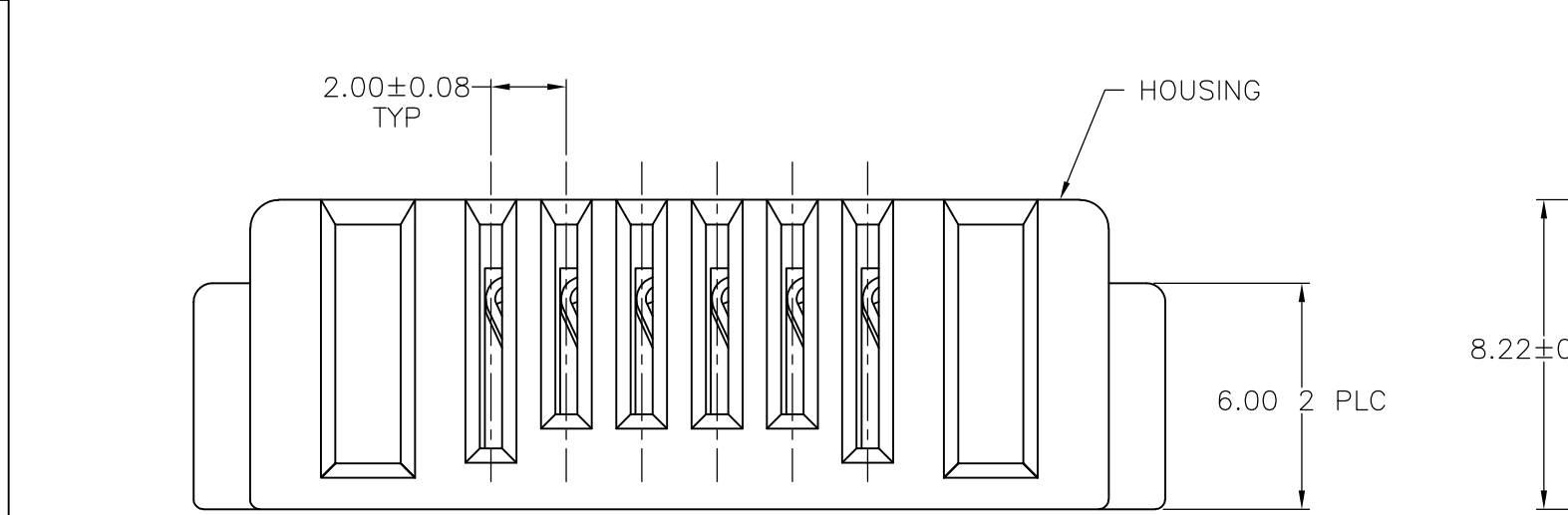
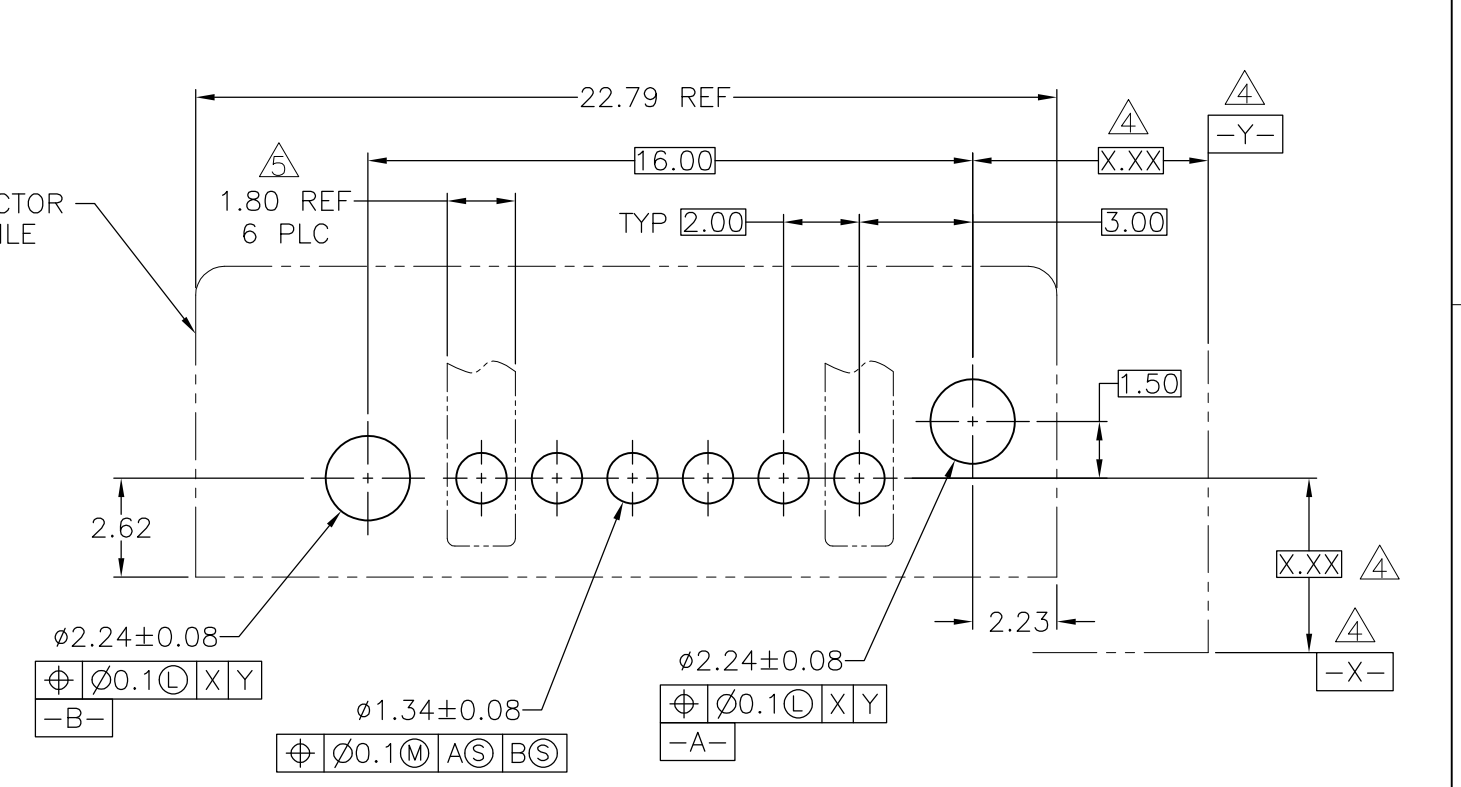
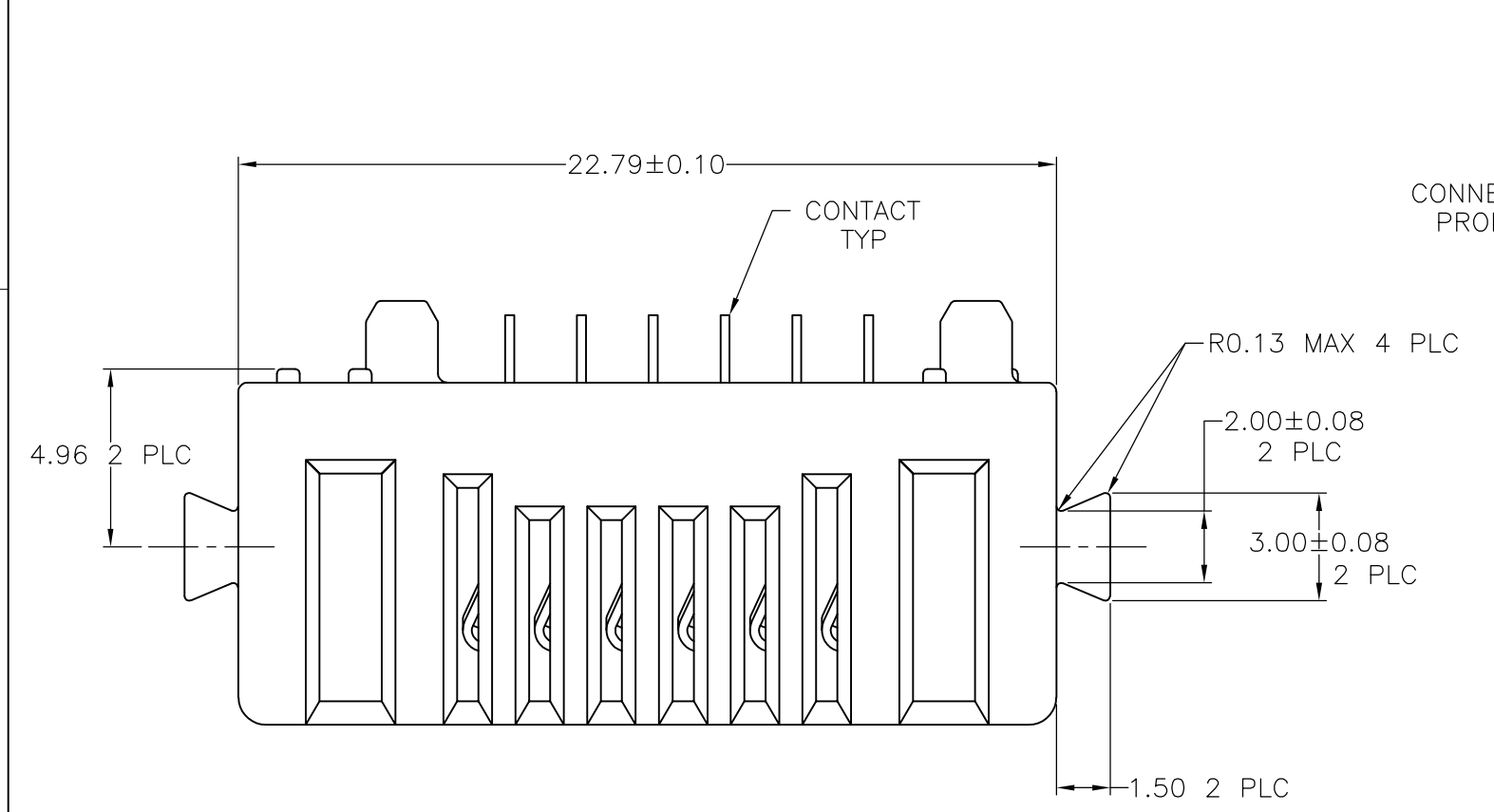
Email & Skype: info@chipsmall.com Web: www.chipsmall.com

Address: A1208, Overseas Decoration Building, #122 Zhenhua RD., Futian, Shenzhen, China



THIS DRAWING IS UNPUBLISHED. RELEASED FOR PUBLICATION
 © COPYRIGHT - By - ALL RIGHTS RESERVED.

LOC	DIST	REVISIONS					
ES	00	P	LTR	DESCRIPTION	DATE	DWN	APVD
		A1		REVISED PER ECO-11-005033	29MAR11	RK	HMR



2.03	5787253-2
1.50	5787253-1
C	PART NO.

NOTE:
 ① LCP, UL 94V-0 RATED, BLACK.
 ② PHOSPHOR BRONZE.
 ③ 0.076um MIN. GOLD OVER 0.76um MIN. PALLADIUM NICKEL ON MATING AREA, 3.80um MIN. TIN ON SOLDER TAIL, ALL OVER 1.27um MIN. NICKEL.
 ④ DATUMS AND BASIC DIMENSIONS ESTABLISHED BY CUSTOMER.
 ⑤ RECOMMENDED MINIMUM TRACE WIDTH FOR END POSITIONS WHEN CARRYING 3 AMPS: 1.8 WIDE x 55um THICK, BOTH SIDES.

THIS DRAWING IS A CONTROLLED DOCUMENT.		DWN	GAVIN ZHANG	23NOV04	TE Connectivity RECEPTACLE ASSEMBLY, 6 POSITION, THRU-HOLE, MDI		
DIMENSIONS: mm		CHK	STEVEN YAO	23NOV04			
TOLERANCES UNLESS OTHERWISE SPECIFIED:		APVD	I. ENOMOTO	23NOV04			
0 PLC ± - 1 PLC ± - 2 PLC ± 0.13 3 PLC ± - 4 PLC ± - ANGLES ± -		PRODUCT SPEC	NAME				
MATERIAL		APPLICATION SPEC		SIZE	CAGE CODE	DRAWING NO	RESTRICTED TO
		FINISH		A3 00779		C-5787253	-
		WEIGHT		CUSTOMER DRAWING		SCALE	SHEET
						5:1	1 OF 1
							REV
							A1