



Chipsmall Limited consists of a professional team with an average of over 10 year of expertise in the distribution of electronic components. Based in Hongkong, we have already established firm and mutual-benefit business relationships with customers from,Europe,America and south Asia,supplying obsolete and hard-to-find components to meet their specific needs.

With the principle of “Quality Parts,Customers Priority,Honest Operation,and Considerate Service”,our business mainly focus on the distribution of electronic components. Line cards we deal with include Microchip,ALPS,ROHM,Xilinx,Pulse,ON,Everlight and Freescale. Main products comprise IC,Modules,Potentiometer,IC Socket,Relay,Connector.Our parts cover such applications as commercial,industrial, and automotives areas.

We are looking forward to setting up business relationship with you and hope to provide you with the best service and solution. Let us make a better world for our industry!



## Contact us

Tel: +86-755-8981 8866 Fax: +86-755-8427 6832

Email & Skype: info@chipsmall.com Web: www.chipsmall.com

Address: A1208, Overseas Decoration Building, #122 Zhenhua RD., Futian, Shenzhen, China

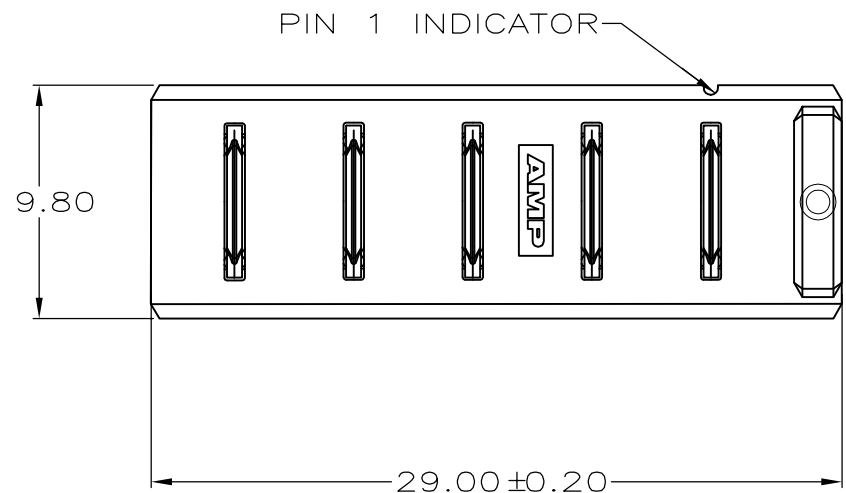


LOC ES DIST 00

REVISIONS

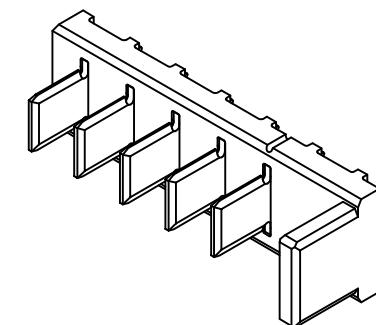
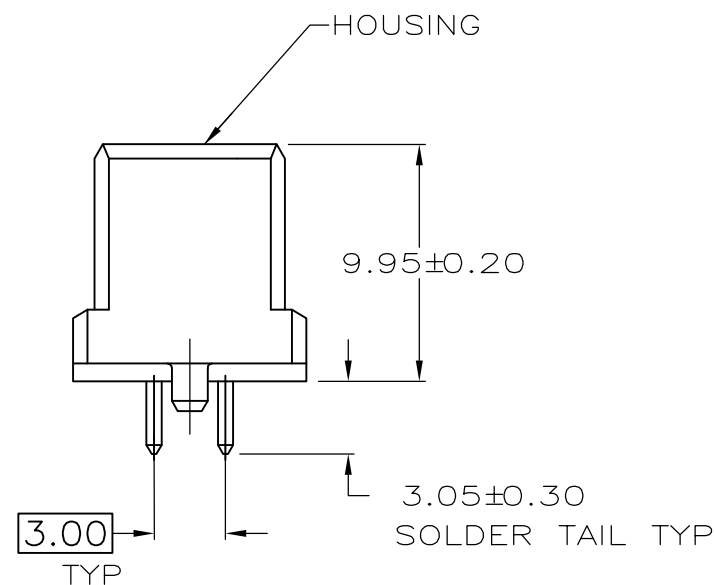
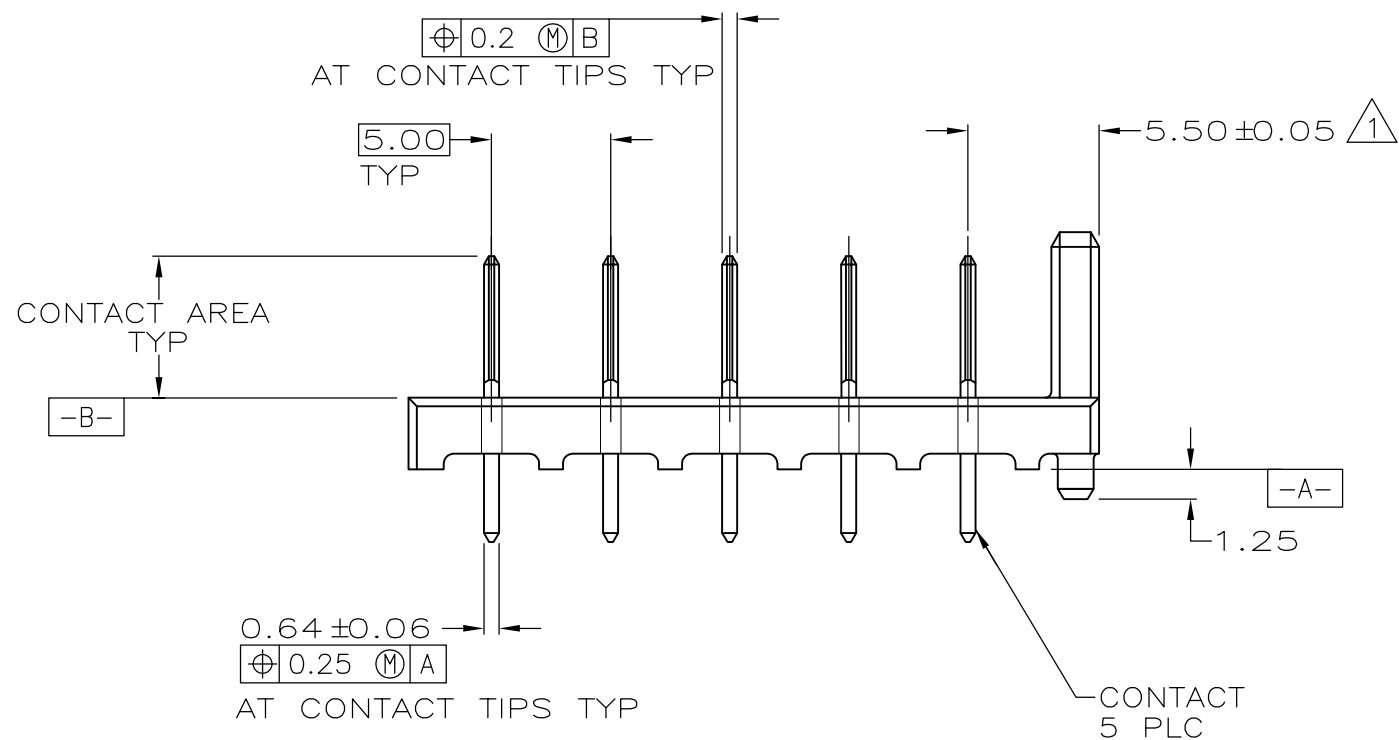
P	LTR	DESCRIPTION	DATE	DWN	APVD
	A	REVISED PER ECR-08-013882	02JUN2008	A.S	S.Y

D



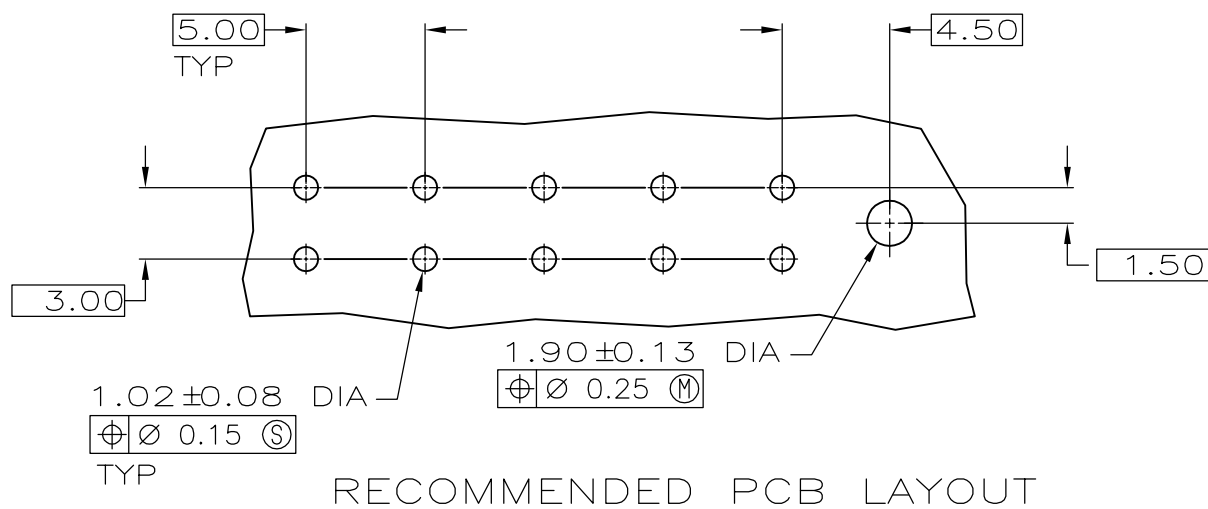
- ① COORDINATE DIMENSION APPLIES FROM CENTER OF ACTUAL FEATURE.
- ② HOUSING: POLYPHTHALAMIDE
- ③ CONTACTS: BRASS
- ④ 2.54 μm MIN TIN ON SOLDER TAIL OVER 1.90 μm MIN NICKEL.

C



B

A



5787334-1 PART NO.

THIS DRAWING IS A CONTROLLED DOCUMENT.		DWN WENKE HE 19APR05	Tyco Electronics Corporation	
		CHK STEVEN YAO 19APR05	Shanghai P.R.CHINA	
DIMENSIONS: mm		APVD -	NAME	
TOLERANCES UNLESS OTHERWISE SPECIFIED:		PRODUCT SPEC -	HEADER ASSEMBLY, VERTICAL, 5 POS, SIGLE KEY STRAIGHT SOLDER TAIL, BATTERY INTERCONNECT, 7.2 VOLT	
0 PLC ± -		APPLICATION SPEC -	-	
1 PLC ± -		SIZE	CAGE CODE	DRAWING NO
2 PLC ± 0.10		A3	00779	5787334
3 PLC ± -		RESTRICTED TO		-
4 PLC ± -		CUSTOMER DRAWING		SCALE 4:1
ANGLES ± -		SHEET 1 OF 1		REV A
MATERIAL ② - ③	FINISH ④ -			