



Chipsmall Limited consists of a professional team with an average of over 10 year of expertise in the distribution of electronic components. Based in Hongkong, we have already established firm and mutual-benefit business relationships with customers from,Europe,America and south Asia,supplying obsolete and hard-to-find components to meet their specific needs.

With the principle of “Quality Parts,Customers Priority,Honest Operation,and Considerate Service”,our business mainly focus on the distribution of electronic components. Line cards we deal with include Microchip,ALPS,ROHM,Xilinx,Pulse,ON,Everlight and Freescale. Main products comprise IC,Modules,Potentiometer,IC Socket,Relay,Connector.Our parts cover such applications as commercial,industrial, and automotives areas.

We are looking forward to setting up business relationship with you and hope to provide you with the best service and solution. Let us make a better world for our industry!



Contact us

Tel: +86-755-8981 8866 Fax: +86-755-8427 6832

Email & Skype: info@chipsmall.com Web: www.chipsmall.com

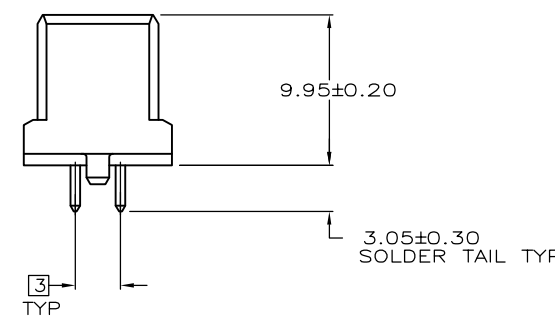
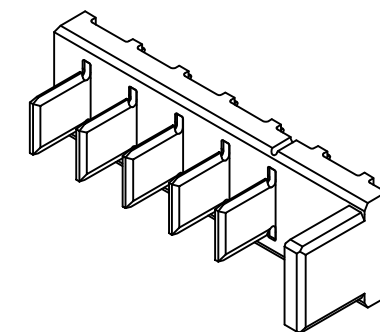
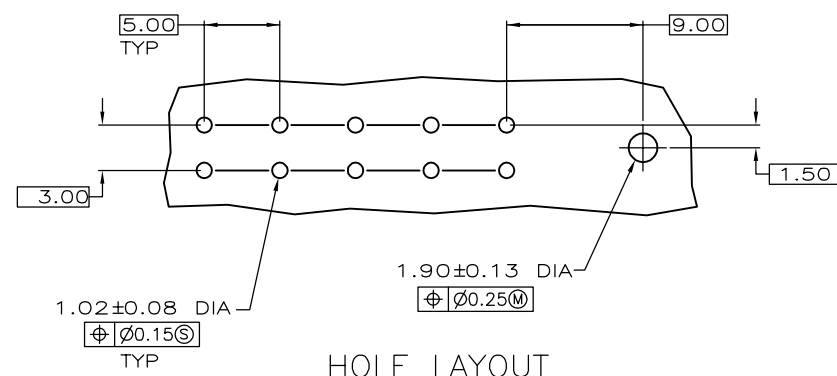
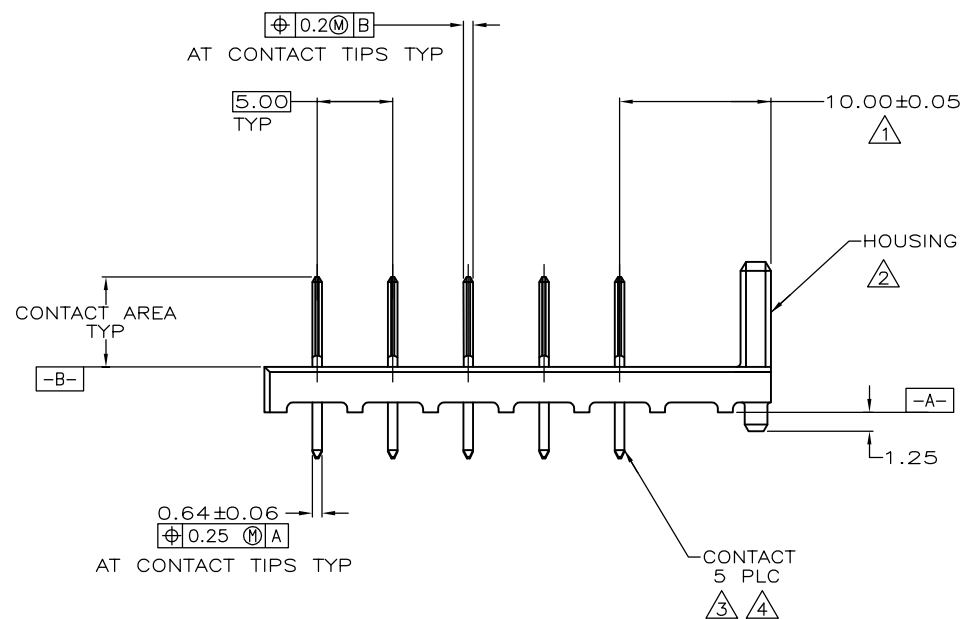
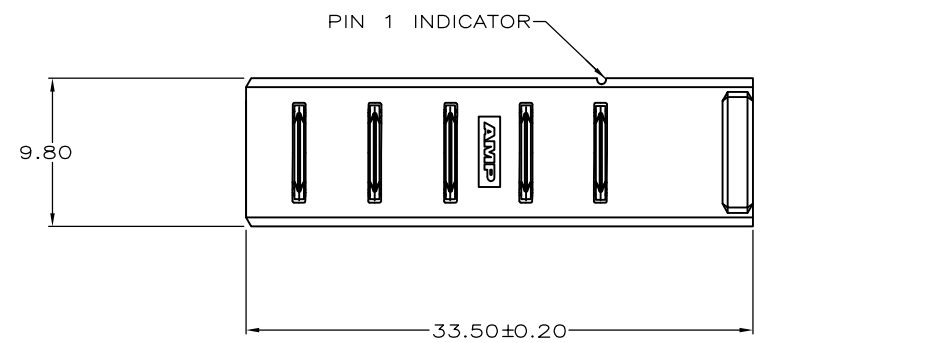
Address: A1208, Overseas Decoration Building, #122 Zhenhua RD., Futian, Shenzhen, China



LOC ES DIST 00

REVISIONS

P	LTR	DESCRIPTION	DATE	DWN	APVD
	A	REVISED PER ECR-08-013882	03JUN2008	A.S	S.Y



- ① COORDINATE DIMENSION APPLIES FROM CENTER OF ACTUAL FEATURE.
- ② HOUSING: POLYPHTHALAMIDE, COLOR BLACK.
- ③ FINISH:
2.54um MIN TIN ON SOLDER TAIL OVER
1.90um MIN NICKEL ALL OVER.
- ④ CONTACTS: BRASS

5787419-1
PART NO

THIS DRAWING IS A CONTROLLED DOCUMENT.		DWN S.KLINE 03/16/95	Tyco Electronics Corporation	
DIMENSIONS: mm		CHK S.KLINE 03-17-95	Shanghai PRC	
TOLERANCES UNLESS OTHERWISE SPECIFIED:		APVD S.KLINE 03-17-95	NAME	
0 PLC ± -		PRODUCT SPEC	108-1501	
1 PLC ± -		APPLICATION SPEC	114-24005	
2 PLC ± 0.13		WEIGHT	-	
3 PLC ± -		SIZE CAGE CODE DRAWING NO RESTRICTED TO		
4 PLC ± -		A3 00779 C-5787419		
4 ANGLES ± -		CUSTOMER DRAWING SCALE 2:1 SHEET 1 OF 1 REV A		
MATERIAL ② ④		FINISH ③		