



Chipsmall Limited consists of a professional team with an average of over 10 year of expertise in the distribution of electronic components. Based in Hongkong, we have already established firm and mutual-benefit business relationships with customers from,Europe,America and south Asia,supplying obsolete and hard-to-find components to meet their specific needs.

With the principle of “Quality Parts,Customers Priority,Honest Operation,and Considerate Service”,our business mainly focus on the distribution of electronic components. Line cards we deal with include Microchip,ALPS,ROHM,Xilinx,Pulse,ON,Everlight and Freescale. Main products comprise IC,Modules,Potentiometer,IC Socket,Relay,Connector.Our parts cover such applications as commercial,industrial, and automotives areas.

We are looking forward to setting up business relationship with you and hope to provide you with the best service and solution. Let us make a better world for our industry!



Contact us

Tel: +86-755-8981 8866 Fax: +86-755-8427 6832

Email & Skype: info@chipsmall.com Web: www.chipsmall.com

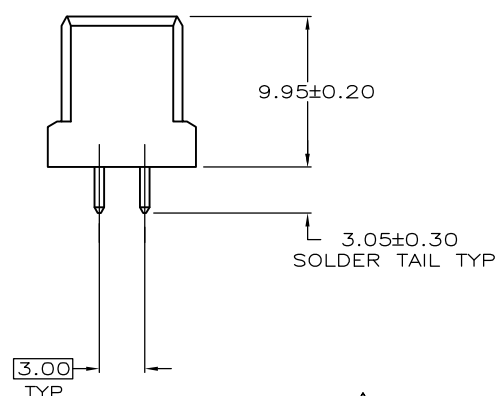
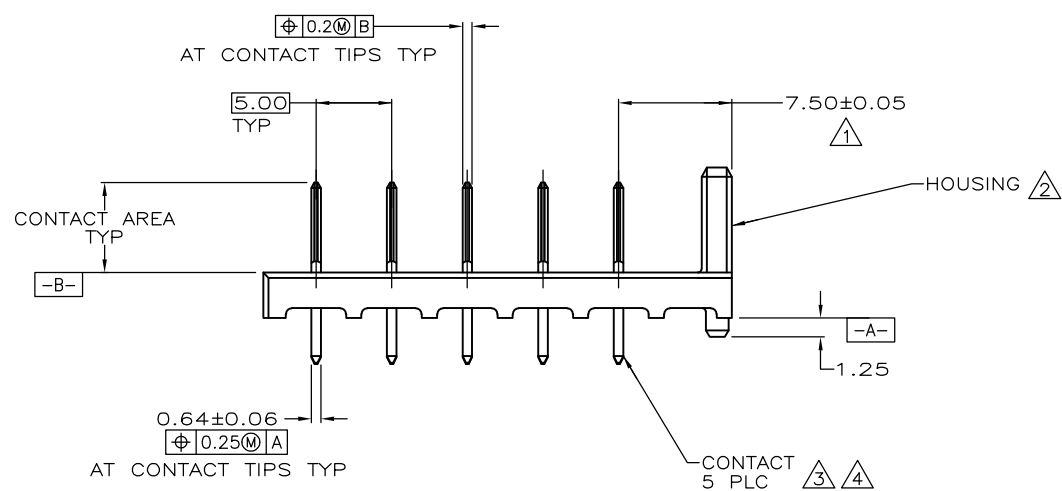
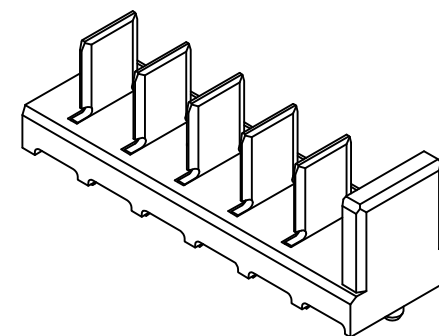
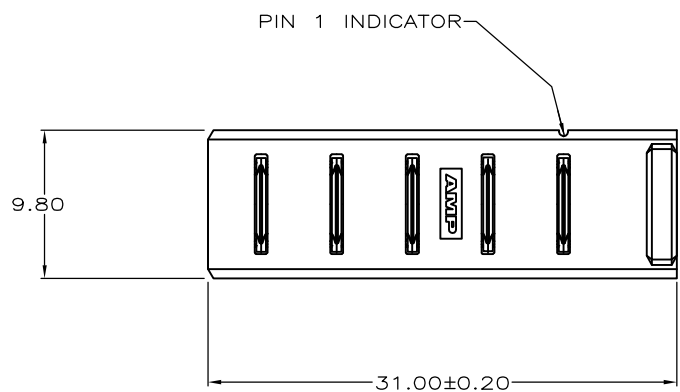
Address: A1208, Overseas Decoration Building, #122 Zhenhua RD., Futian, Shenzhen, China



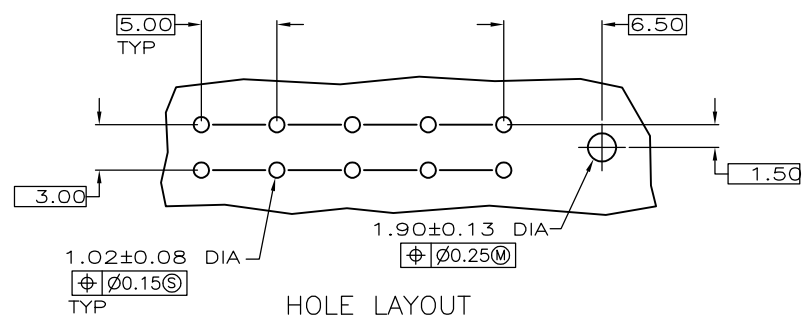
THIS DRAWING IS UNPUBLISHED. RELEASED FOR PUBLICATION

© COPYRIGHT - By - ALL RIGHTS RESERVED.

LOC ES	DIST 00	REVISIONS			
P	LTR	DESCRIPTION	DATE	DWN	APVD
	A1	REVISED PER ECO-11-005033	29MAR11	RK	HMR



- ① COORDINATE DIMENSION APPLIES FROM CENTER OF ACTUAL FEATURE.
- ② HOUSING: POLYPHTHALAMIDE, COLOR BLACK.
- ③ CONTACTS: BRASS
- ④ 2.54um MIN TIN ON SOLDER TAIL OVER 1.90um MIN NICKEL ALL OVER.



5787430-1
PART NO

THIS DRAWING IS A CONTROLLED DOCUMENT.		DWN S.KLINE	03/09/95	STE TE Connectivity	
DIMENSIONS: mm		CHK S.KLINE	03-15-95		
TOLERANCES UNLESS OTHERWISE SPECIFIED:		APVD S.KLINE	03-15-95	NAME	
0 PLC ± -		PRODUCT SPEC		HEADER ASSEMBLY, VERTICAL,	
1 PLC ± -		108-1501		5mm \varnothing , 5 POSN, SINGLE KEY, STRAIGHT	
2 PLC ± 0.13		APPLICATION SPEC		SOLDER TAIL, 12V, BATTERY INTERCONNECT	
3 PLC ± -		114-24005		SIZE	CAGE CODE
4 PLC ± -		WEIGHT		DRAWING NO	
ANGLES ± -		-		A3 00779 C-5787430	
FINISH		CUSTOMER DRAWING		RESTRICTED TO	-
② ③		SCALE 3:1		SHEET 1 OF 1	REV A1