



Chipsmall Limited consists of a professional team with an average of over 10 year of expertise in the distribution of electronic components. Based in Hongkong, we have already established firm and mutual-benefit business relationships with customers from,Europe,America and south Asia,supplying obsolete and hard-to-find components to meet their specific needs.

With the principle of "Quality Parts,Customers Priority,Honest Operation,and Considerate Service",our business mainly focus on the distribution of electronic components. Line cards we deal with include Microchip,ALPS,ROHM,Xilinx,Pulse,ON,Everlight and Freescale. Main products comprise IC,Modules,Potentiometer,IC Socket,Relay,Connector.Our parts cover such applications as commercial,industrial, and automotives areas.

We are looking forward to setting up business relationship with you and hope to provide you with the best service and solution. Let us make a better world for our industry!



## Contact us

Tel: +86-755-8981 8866 Fax: +86-755-8427 6832

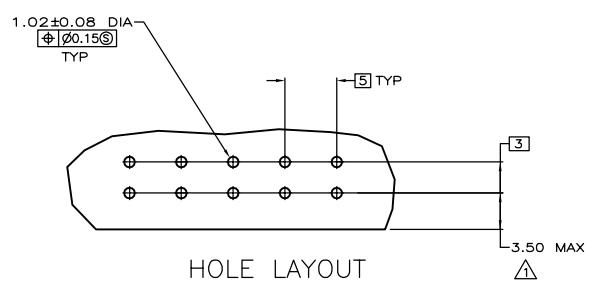
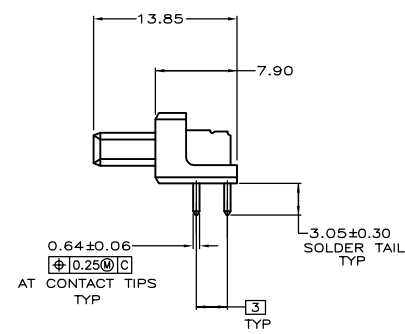
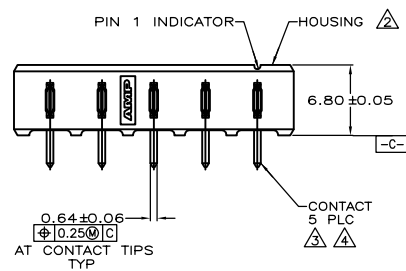
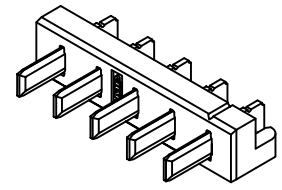
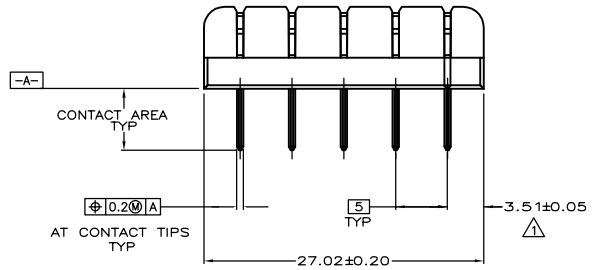
Email & Skype: info@chipsmall.com Web: www.chipsmall.com

Address: A1208, Overseas Decoration Building, #122 Zhenhua RD., Futian, Shenzhen, China



THIS DRAWING IS UNPUBLISHED. RELEASED FOR PUBLICATION  
 © COPYRIGHT - BY TYCO ELECTRONICS CORPORATION. ALL RIGHTS RESERVED.

LOC	DIST	REVISIONS					
ES	00	P	LTR	DESCRIPTION	DATE	DWN	APVD
		0		RELEASED ECR-05-001438	30MAR05	J.Z	I.E



- ⚠ COORDINATE DIMENSION APPLIES FROM CENTER OF ACTUAL FEATURE.
- ⚠ HOUSING: LCP, BLACK
- ⚠ 2.54um MIN TIN ON SOLDER TAIL OVER 1.90um MIN NICKEL ALL OVER.
- ⚠ CONTACTS: BRASS

5787441-1  
PART NO

THIS DRAWING IS A CONTROLLED DOCUMENT.		DWN S.KLINE 03-27-95	Tyco Electronics Corporation Shanghai PRC				
DIMENSIONS: mm		CHK S.KLINE 03-30-95					
TOLERANCES UNLESS OTHERWISE SPECIFIED:		APVD S.KLINE 03-30-95	NAME				
0 PLC ± - 1 PLC ± - 2 PLC ± 0.13 3 PLC ± - 4 PLC ± - ANGLES ± -		PRODUCT SPEC 108-1501	HEADER ASSEMBLY, RIGHT ANGLE, KEYLESS, 5mm $\phi$ , 5 POSN, STRAIGHT SOLDER TAILS, BATTERY INTERCONNECT				
MATERIAL		APPLICATION SPEC 114-24005	SIZE A3	CAGE CODE 00779	DRAWING NO C-5787441	RESTRICTED TO -	
FINISH		WEIGHT -	CUSTOMER DRAWING		SCALE 2:1	SHEET 1 OF 1	REV 0