



Chipsmall Limited consists of a professional team with an average of over 10 year of expertise in the distribution of electronic components. Based in Hongkong, we have already established firm and mutual-benefit business relationships with customers from,Europe,America and south Asia,supplying obsolete and hard-to-find components to meet their specific needs.

With the principle of “Quality Parts,Customers Priority,Honest Operation,and Considerate Service”,our business mainly focus on the distribution of electronic components. Line cards we deal with include Microchip,ALPS,ROHM,Xilinx,Pulse,ON,Everlight and Freescale. Main products comprise IC,Modules,Potentiometer,IC Socket,Relay,Connector.Our parts cover such applications as commercial,industrial, and automotives areas.

We are looking forward to setting up business relationship with you and hope to provide you with the best service and solution. Let us make a better world for our industry!



Contact us

Tel: +86-755-8981 8866 Fax: +86-755-8427 6832

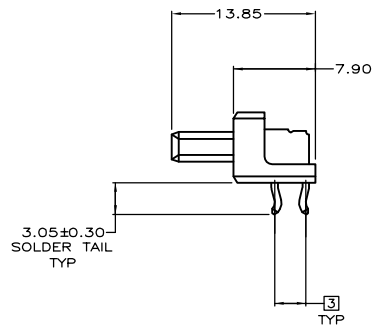
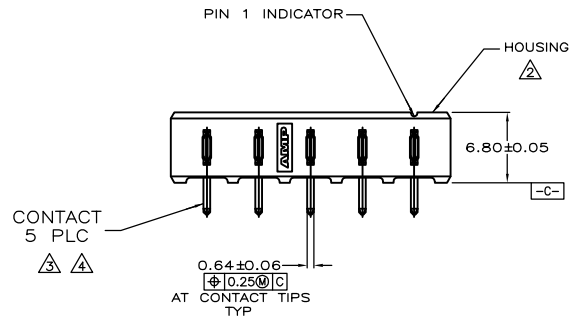
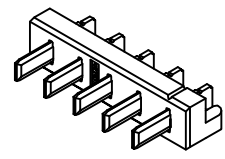
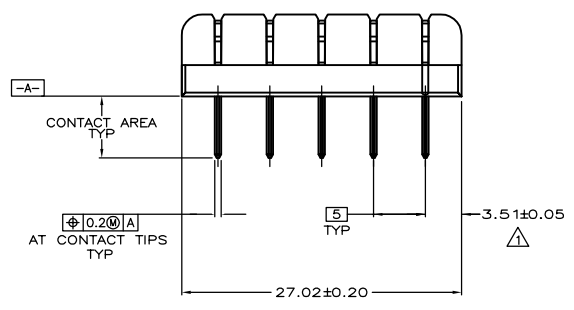
Email & Skype: info@chipsmall.com Web: www.chipsmall.com

Address: A1208, Overseas Decoration Building, #122 Zhenhua RD., Futian, Shenzhen, China

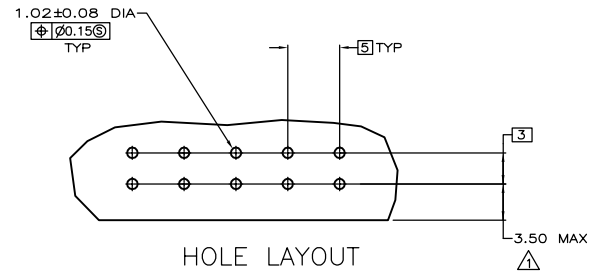


THIS DRAWING IS UNPUBLISHED. RELEASED FOR PUBLICATION
 © COPYRIGHT BY TYCO ELECTRONICS CORPORATION. ALL RIGHTS RESERVED.

LOC	DIST	REVISIONS					
ES	00	P	LTR	DESCRIPTION	DATE	DWN	APVD
		0		RELEASED ECR-05-001438	30MAR05	J.Z	I.E



- ① COORDINATE DIMENSION APPLIES FROM CENTER OF ACTUAL FEATURE.
- ② HOUSING: LCP, BLACK
- ③ 2.54um MIN TIN ON SOLDER TAIL OVER 1.90um MIN NICKEL ALL OVER.
- ④ CONTACTS: BRASS



5787443-1
 PART NO

THIS DRAWING IS A CONTROLLED DOCUMENT.		DWN	S.KLINE	03-28-95	tyco Electronics	Tyco Electronics Corporation Shanghai PRC				
DIMENSIONS: mm		CHK	S.KLINE	03-30-95		NAME HEADER ASSEMBLY, RIGHT ANGLE, KEYLESS, 5mm ϕ , 5 POSN, RETENTIVE SOLDER TAILS, BATTERY INTERCONNECT				
TOLERANCES UNLESS OTHERWISE SPECIFIED:		APVD	S.KLINE	03-30-95	PRODUCT SPEC	108-1501	SIZE	CAGE CODE	DRAWING NO	RESTRICTED TO
0 PLC ± - 1 PLC ± - 2 PLC ± 0.13 3 PLC ± - 4 PLC ± - ANGLES ± -		MATERIAL	FINISH	③	APPLICATION SPEC	114-24005	A3	00779	C-5787443	-
② ④		CUSTOMER DRAWING			WEIGHT	-	SCALE	2:1	SHEET	1 OF 1
									REV	0