



Chipsmall Limited consists of a professional team with an average of over 10 year of expertise in the distribution of electronic components. Based in Hongkong, we have already established firm and mutual-benefit business relationships with customers from,Europe,America and south Asia,supplying obsolete and hard-to-find components to meet their specific needs.

With the principle of “Quality Parts,Customers Priority,Honest Operation,and Considerate Service”,our business mainly focus on the distribution of electronic components. Line cards we deal with include Microchip,ALPS,ROHM,Xilinx,Pulse,ON,Everlight and Freescale. Main products comprise IC,Modules,Potentiometer,IC Socket,Relay,Connector.Our parts cover such applications as commercial,industrial, and automotives areas.

We are looking forward to setting up business relationship with you and hope to provide you with the best service and solution. Let us make a better world for our industry!



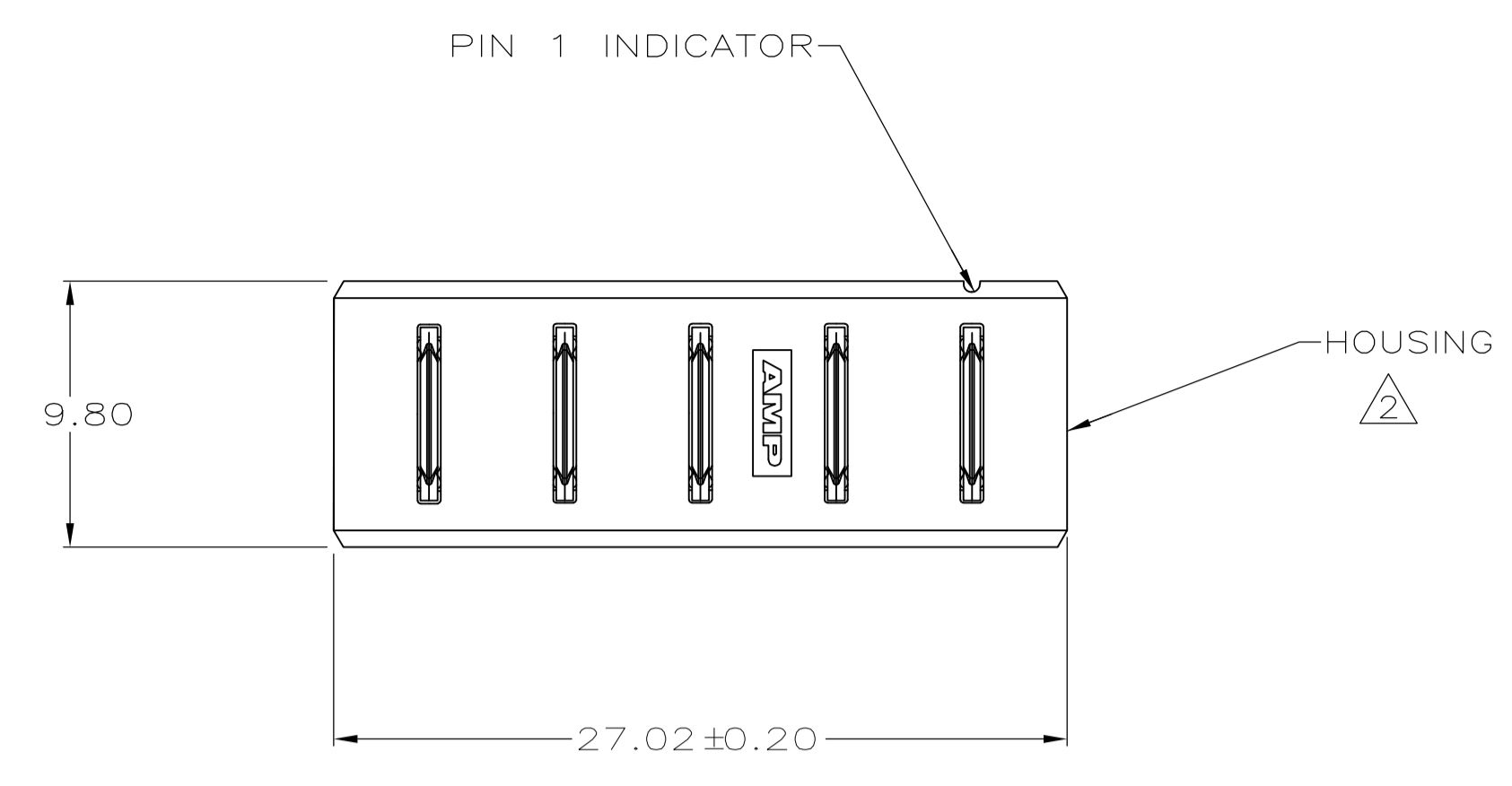
Contact us

Tel: +86-755-8981 8866 Fax: +86-755-8427 6832

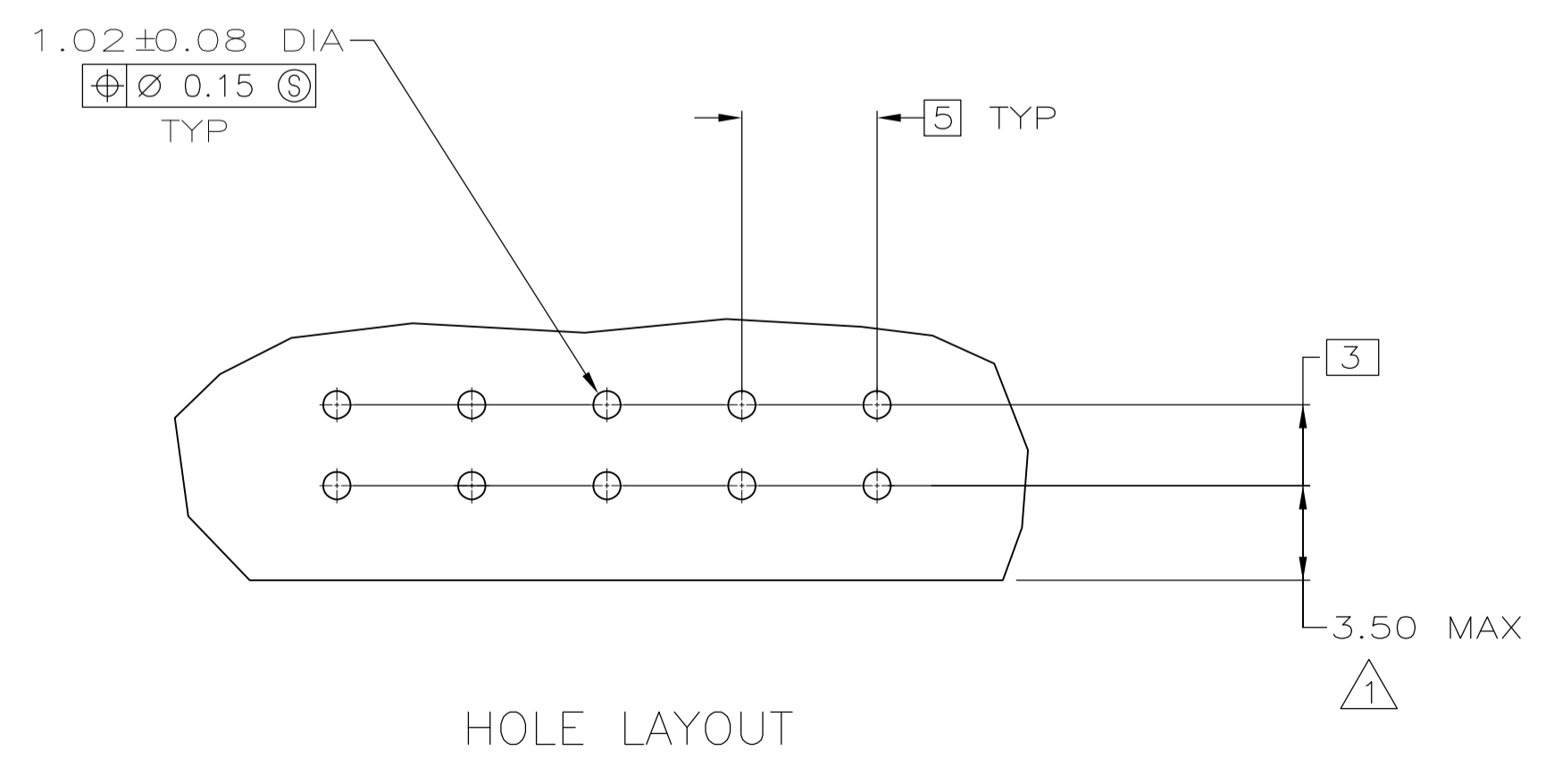
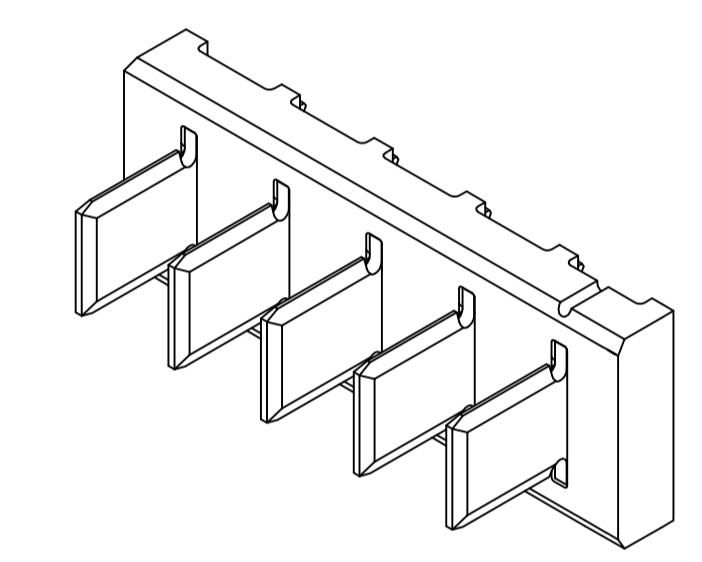
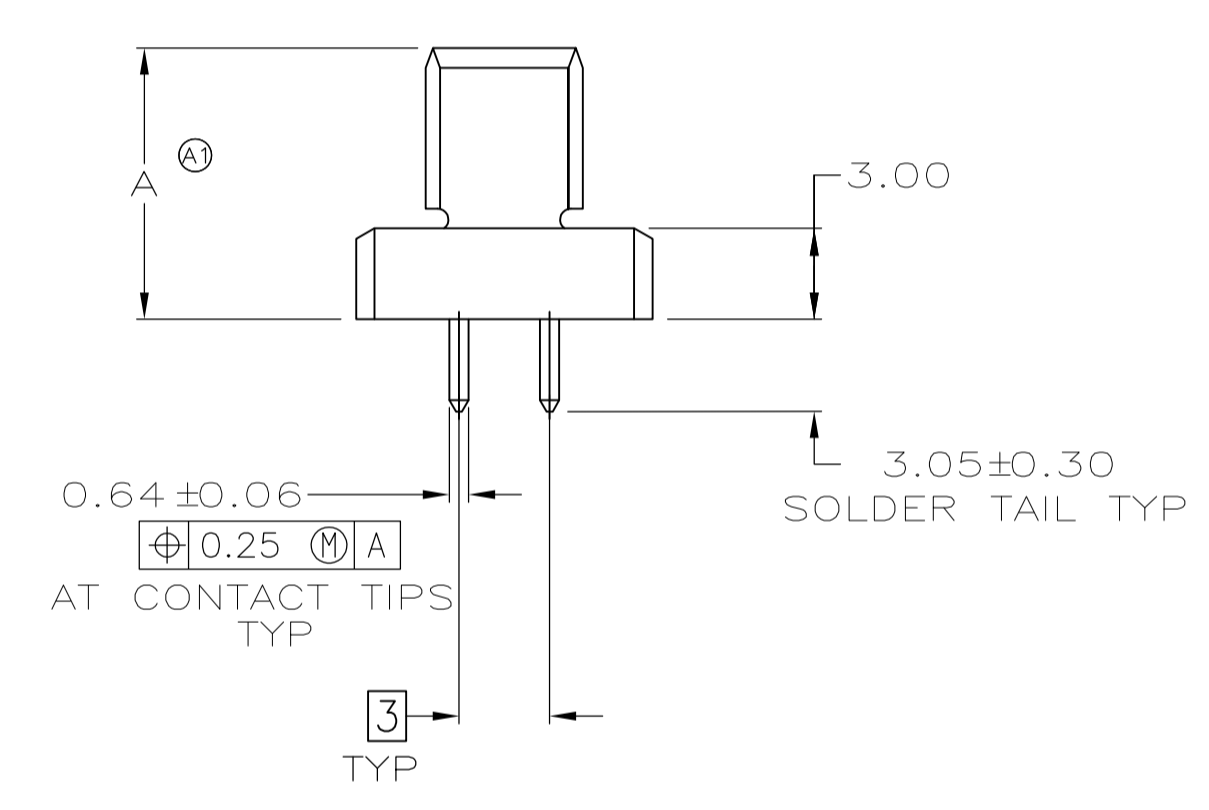
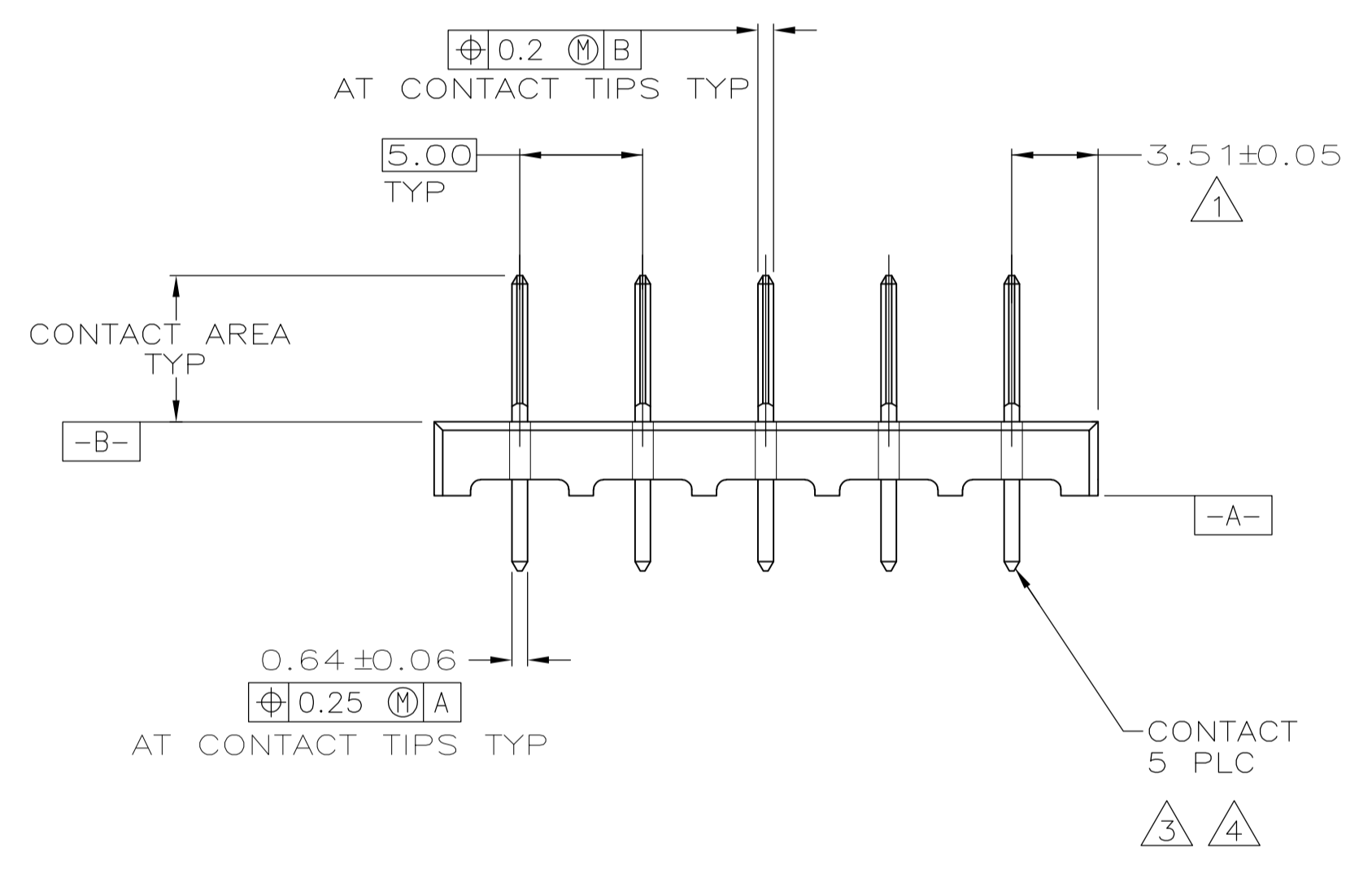
Email & Skype: info@chipsmall.com Web: www.chipsmall.com

Address: A1208, Overseas Decoration Building, #122 Zhenhua RD., Futian, Shenzhen, China





- △ COORDINATE DIMENSION APPLIES FROM CENTER OF ACTUAL FEATURE.
- △ HOUSING: POLYPHTHALAMIDE, COLOR BLACK.
- △ 2.54 μm MIN TIN ON SOLDER TAIL OVER 1.90 μm MIN NICKEL ALL OVER.
- △ CONTACTS: BRASS



9.95	STANDARD	5787444-2
8.95	STANDARD	5787444-1
DIM A	PACKAGING TYPE	PART NO

THIS DRAWING IS A CONTROLLED DOCUMENT.		DIN	19APROS	WENKE HE	
DIMENSIONS: mm		CHK	19APROS	STEVEN YAO	
TOLERANCES UNLESS OTHERWISE SPECIFIED:		APVD	19APROS	IENOMOTO	
0 PLC	± -	NAME			
1 PLC	± -	PRODUCT SPEC			
2 PLC	± 0.13	APPLICATION SPEC			
3 PLC	± -	SIZE			
4 PLC	± -	CAGE CODE			
ANGLES	± -	DRAWING NO			
MATERIAL	SEE CALLOUTS	WEIGHT	—	A1 00779 C=5787444	
FINISH		SEE CALLOUTS		CUSTOMER DRAWING	
FINISH		SEE CALLOUTS		SCALE	4:1
FINISH		SEE CALLOUTS		SHEET	1 OF 1
FINISH		SEE CALLOUTS		REV	A2