



Chipsmall Limited consists of a professional team with an average of over 10 year of expertise in the distribution of electronic components. Based in Hongkong, we have already established firm and mutual-benefit business relationships with customers from,Europe,America and south Asia,supplying obsolete and hard-to-find components to meet their specific needs.

With the principle of "Quality Parts,Customers Priority,Honest Operation,and Considerate Service",our business mainly focus on the distribution of electronic components. Line cards we deal with include Microchip,ALPS,ROHM,Xilinx,Pulse,ON,Everlight and Freescale. Main products comprise IC,Modules,Potentiometer,IC Socket,Relay,Connector.Our parts cover such applications as commercial,industrial, and automotives areas.

We are looking forward to setting up business relationship with you and hope to provide you with the best service and solution. Let us make a better world for our industry!



## Contact us

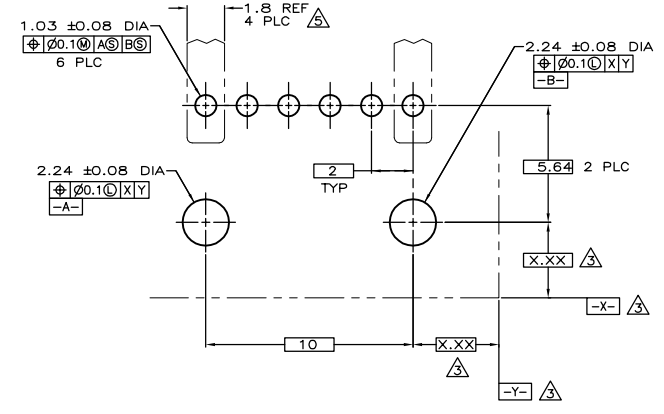
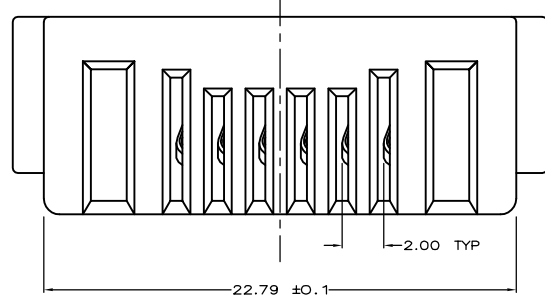
Tel: +86-755-8981 8866 Fax: +86-755-8427 6832

Email & Skype: info@chipsmall.com Web: www.chipsmall.com

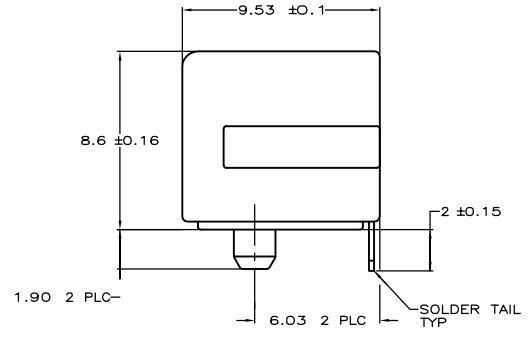
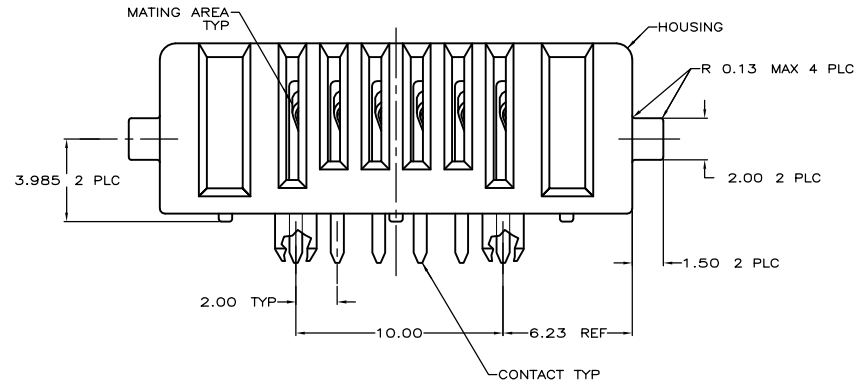
Address: A1208, Overseas Decoration Building, #122 Zhenhua RD., Futian, Shenzhen, China



LOC	QST	REVISIONS					
ES	00	P	CHK	DESCRIPTION	DATE	QTY	APP'D
		O	RELEASED	ECR-05-001438	04APR05	J.Z	I.E



P.C. BOARD MOUNTING DIMENSIONS



- △ MATERIAL:  
HOUSING- SPS, UL 94V-0 RATED, BLACK.  
CONTACTS- PHOSPHOR BRONZE.
- △ PLATING:  
CONTACTS: .076μm MINIMUM GOLD OVER 0.76μm MINIMUM PALLADIUM NICKEL ON MATING AREA,  
3.80μm MINIMUM TIN ON SOLDER TAIL, ALL OVER 1.27μm MINIMUM NICKEL.
- △ DATUMS AND BASIC DIMENSIONS ESTABLISHED BY CUSTOMER.
- △ RECOMMENDED PC BOARD THICKNESS OF 1.57.
- △ RECOMMENDED MINIMUM TRACE WIDTH FOR END POSITIONS  
WHEN CARRYING 4 AMPS: 1.80 WIDE x 55μm THICK, BOTH SIDES.

5787526-1  
PART NUMBER

THIS DRAWING IS A CONTROLLED DOCUMENT.		DATE: 04/16/95	Tyco Electronics Corporation Shanghai PRC
DRAWN BY: M.E. SHIRK		DATE: 04/16/95	
CHECKED BY: WAYNE DAVIS		DATE: 07-11-99	RECEPTACLE ASSEMBLY, 6 POSITION, MDI
DESIGNED BY: B.S. HILF		DATE: 07-11-99	
DIMENSIONS: mm		PRODUCT SPEC	RESTRICTED TO
TOLERANCES UNLESS OTHERWISE SPECIFIED:		APPLICATION SPEC	
0 PLC	± .13	—	SCALE: 8:1 SHEET 1 OF 1 REV O
1 PLC	± .13	—	
2 PLC	± .13	—	
3 PLC	± .13	—	
4 PLC	± .13	—	
ANGLES	—	—	
MATERIAL: Finish		WEIGHT: —	
CUSTOMER DRAWING		DATE: 04/16/95	
PART NUMBER: 5787526-1		DATE: 04/16/95	