



Chipsmall Limited consists of a professional team with an average of over 10 year of expertise in the distribution of electronic components. Based in Hongkong, we have already established firm and mutual-benefit business relationships with customers from,Europe,America and south Asia,supplying obsolete and hard-to-find components to meet their specific needs.

With the principle of “Quality Parts,Customers Priority,Honest Operation,and Considerate Service”,our business mainly focus on the distribution of electronic components. Line cards we deal with include Microchip,ALPS,ROHM,Xilinx,Pulse,ON,Everlight and Freescale. Main products comprise IC,Modules,Potentiometer,IC Socket,Relay,Connector.Our parts cover such applications as commercial,industrial, and automotives areas.

We are looking forward to setting up business relationship with you and hope to provide you with the best service and solution. Let us make a better world for our industry!



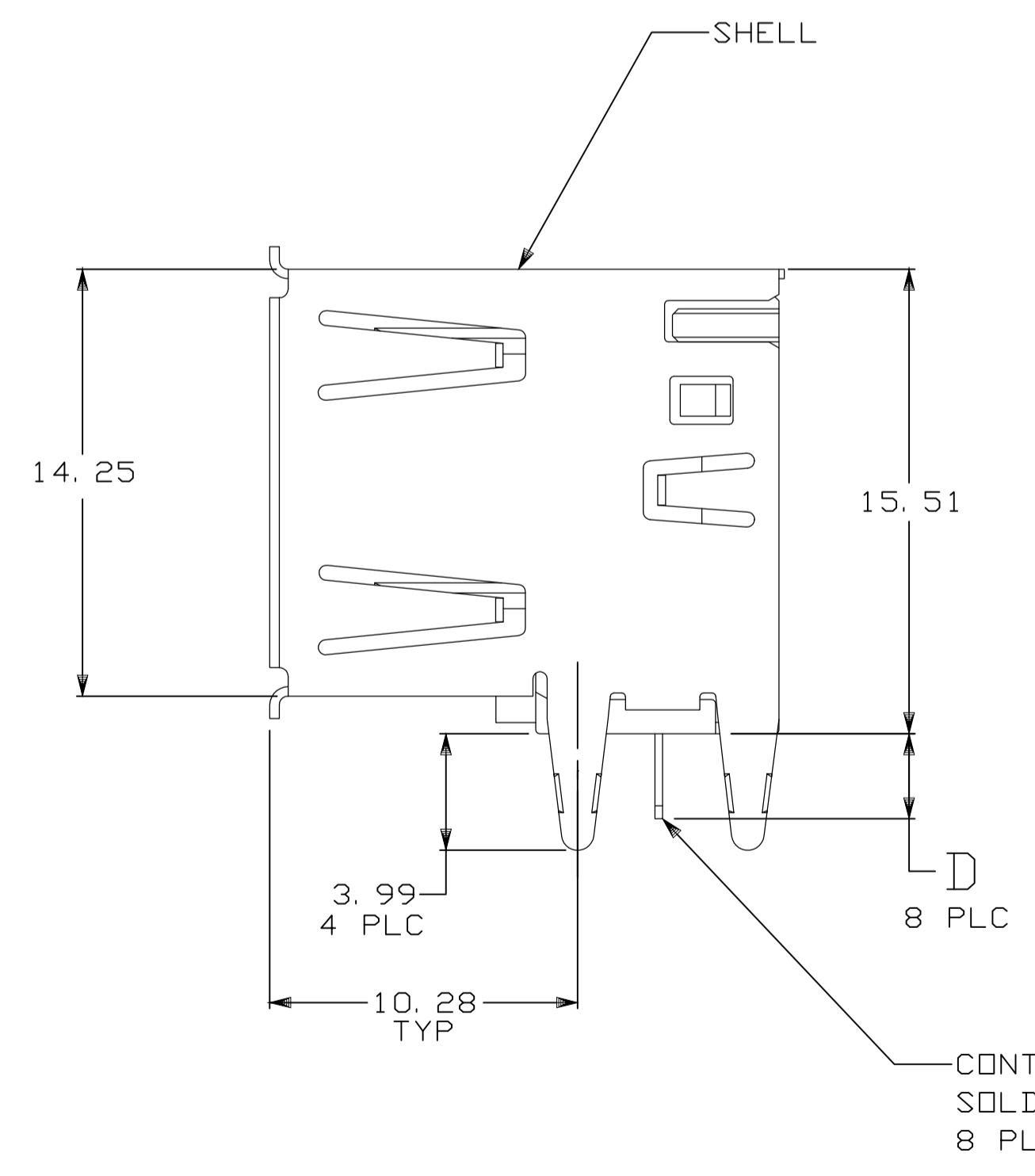
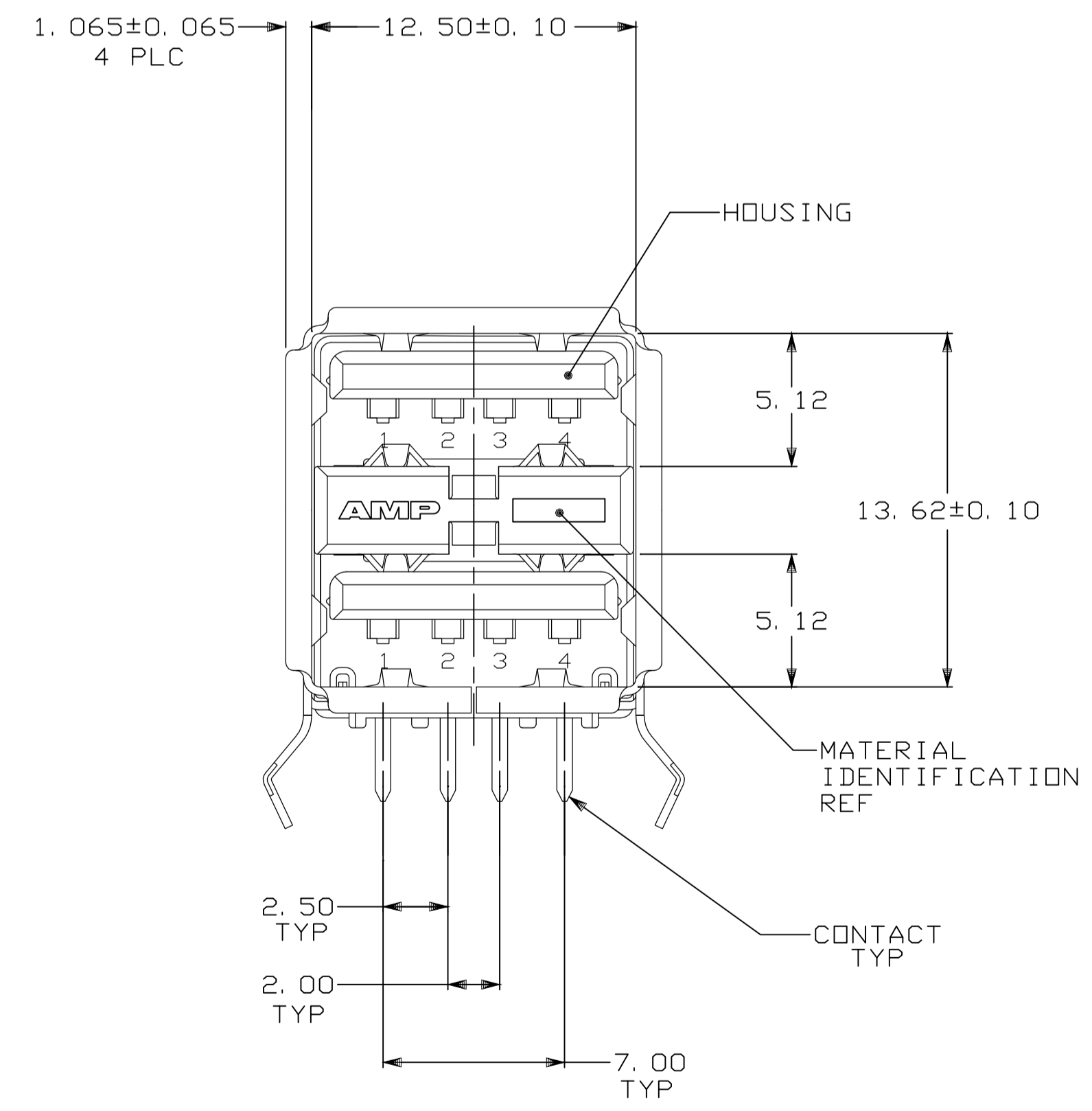
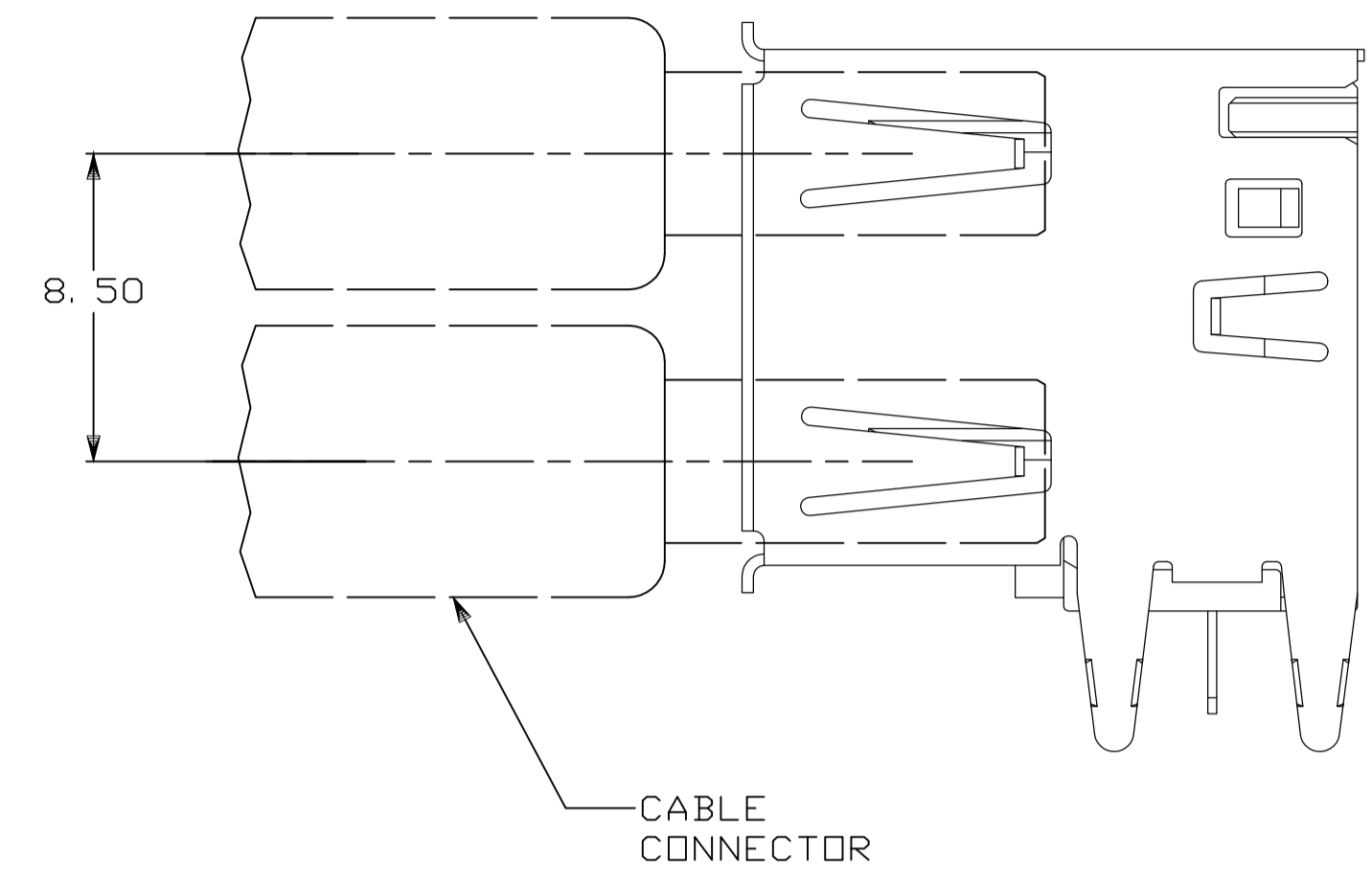
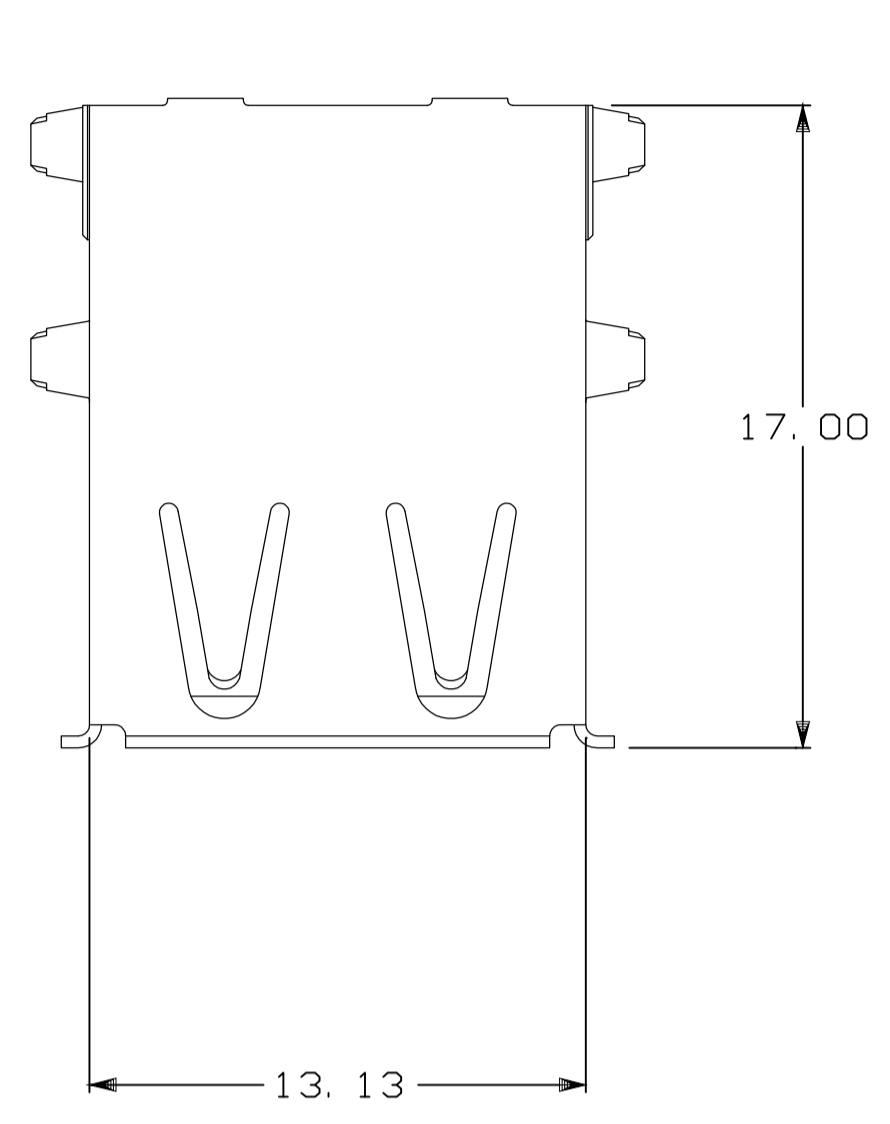
## Contact us

Tel: +86-755-8981 8866 Fax: +86-755-8427 6832

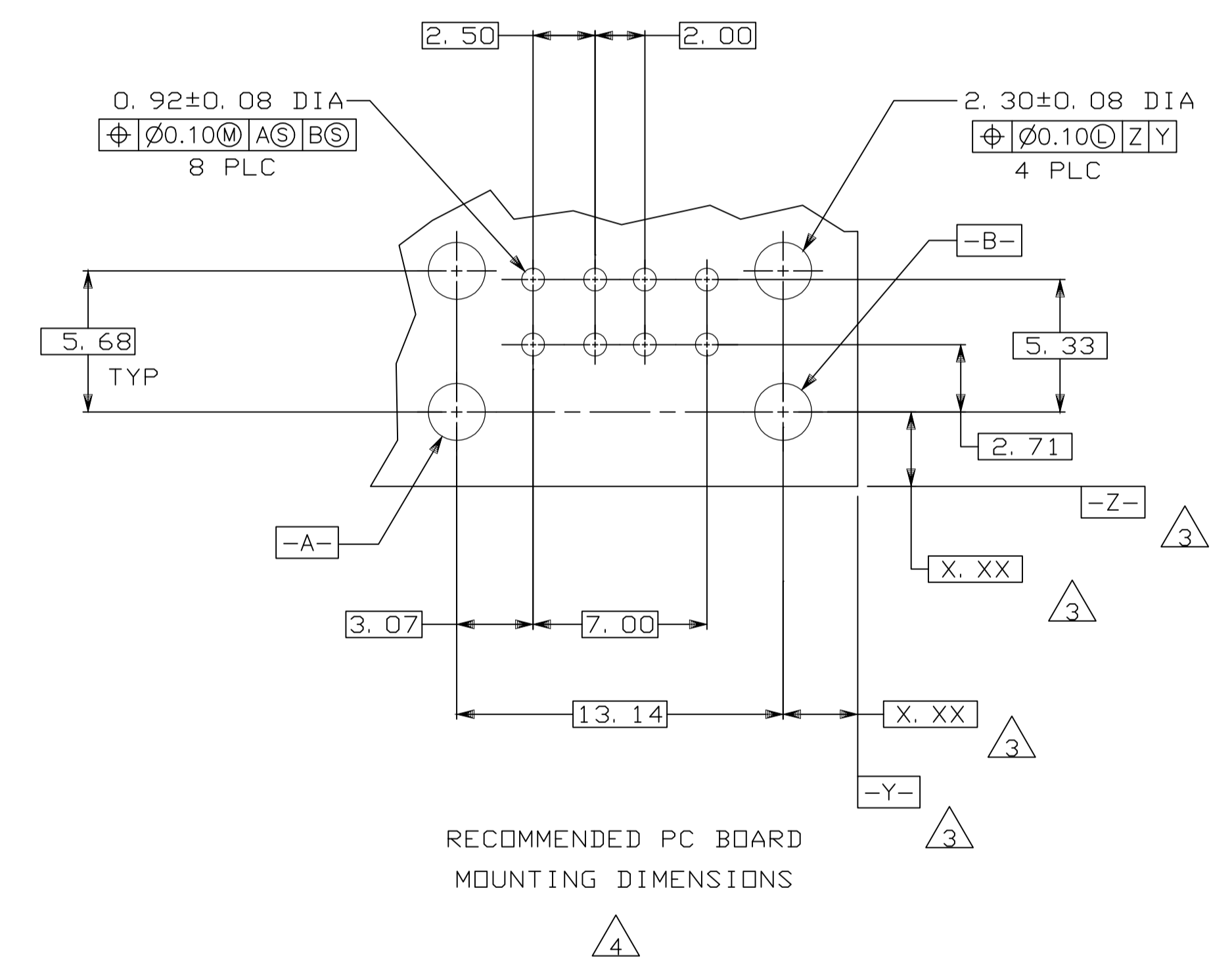
Email & Skype: info@chipsmall.com Web: www.chipsmall.com

Address: A1208, Overseas Decoration Building, #122 Zhenhua RD., Futian, Shenzhen, China





- 1 MATERIAL:  
SHELL & CONTACTS- COPPER ALLOY.  
HOUSING- UL 94V-0 RATED, THERMOPLASTIC, SEE TABLE.
- 2 PLATING:  
CONTACTS- 0.076um MINIMUM GOLD OVER 0.76um MINIMUM PALLADIUM-NICKEL ON MATING AREA. OR CONTACT ALTRENATE PLATING 0.76um MINIMUM GOLD ON MATING AREA.  
3. 80um MINIMUM MATTE TIN ON SOLDER TAILS.  
BOTH OVER 1.27um MINIMUM NICKEL.  
SHELL: 2~5um MINIMUM BRIGHT TIN
- 3 DATUM AND BASIC DIMENSIONS ESTABLISHED BY CUSTOMER.
- 4 RECOMMENDED PC BOARD THICKNESS OF 1.57.
- 5 PLATING:  
CONTACTS- 0.127um MINIMUM GOLD ON MATING AREA,  
3. 80um MINIMUM MATTE TIN ON SOLDER TAILS.  
ALL OVER .76um MINIMUM NICKEL ON ENTIRE CONTACT.  
SHELL: 2~5um MINIMUM BRIGHT TIN
- 6 PACKAGED IN TRAYS
- 7 OBSOLETE PARTS: OBSOLETE CIS STREAMLINING PER D. RENAUD/D. SINISI



OBSOLETE	6	6	2	NO	3.24±0.25	BLACK	5787617-8
	6	6	2	NO	2.84±0.25	BLACK	5787617-7
	6	6	2	YES	2.84±0.25	NATURAL	5787617-6
	6	6	2	YES	2.29±0.25	BLACK	5787617-5
	6	6	2	YES	2.84±0.25	BLACK	5787617-4
	6	6	2	NO	2.84±0.25	NATURAL	5787617-3
	6	6	2	NO	2.29±0.25	BLACK	5787617-2
	6	6	2	NO	2.84±0.25	BLACK	5787617-1
PACKAGING	PLATING	HIGH TEMPERATURE COMPATIBLE	D	HOUSING COLOR	PART NUMBER		

THIS DRAWING IS A CONTROLLED DOCUMENT. DIMENSIONS: mm. TOLERANCES UNLESS OTHERWISE SPECIFIED: 0 PLC ± -, 1 PLC ± -, 2 PLC ± 0.13, 3 PLC ± -, 4 PLC ± -. ANGLES: ± -.

APPROVED: J. JIANG, S. YAO, J. QIU. DATE: 12APR2004, 12APR04, 12APR04.

NAME: RECEPTACLE ASSEMBLY, RIGHT ANGLE, STACKED, THRU-HOLE, USB LEAD FREE VERSION.

SIZE: A1. CAGE CODE: 00779. DRAWING NO: 5787617. WEIGHT: -. RESTRICTED TO: CUSTOMER DRAWING. SCALE: 5:1. SHEET: 1 OF 1. REV: C2.

STE TE Connectivity