



Chipsmall Limited consists of a professional team with an average of over 10 year of expertise in the distribution of electronic components. Based in Hongkong, we have already established firm and mutual-benefit business relationships with customers from,Europe,America and south Asia,supplying obsolete and hard-to-find components to meet their specific needs.

With the principle of “Quality Parts,Customers Priority,Honest Operation,and Considerate Service”,our business mainly focus on the distribution of electronic components. Line cards we deal with include Microchip,ALPS,ROHM,Xilinx,Pulse,ON,Everlight and Freescale. Main products comprise IC,Modules,Potentiometer,IC Socket,Relay,Connector.Our parts cover such applications as commercial,industrial, and automotives areas.

We are looking forward to setting up business relationship with you and hope to provide you with the best service and solution. Let us make a better world for our industry!



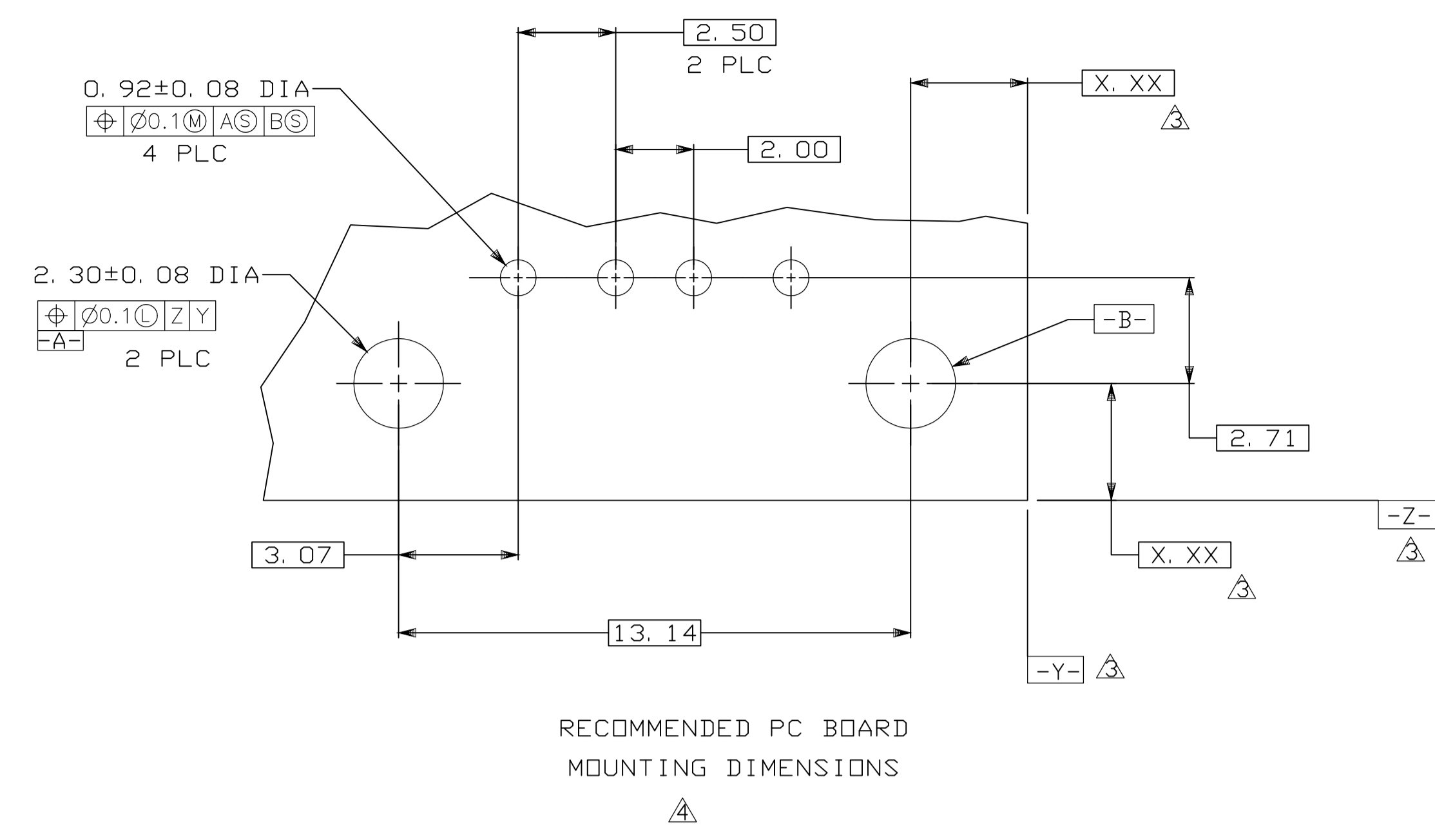
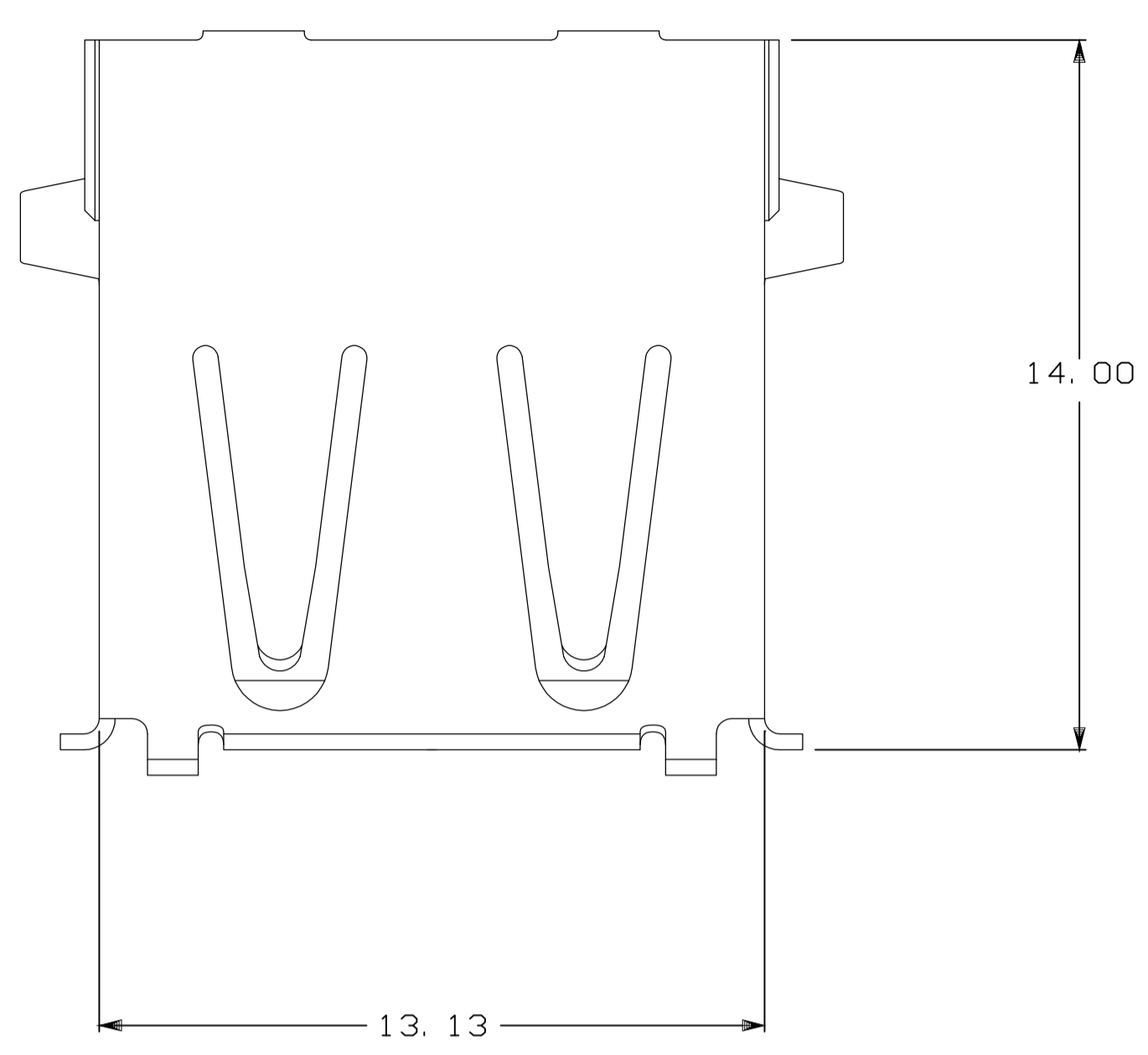
Contact us

Tel: +86-755-8981 8866 Fax: +86-755-8427 6832

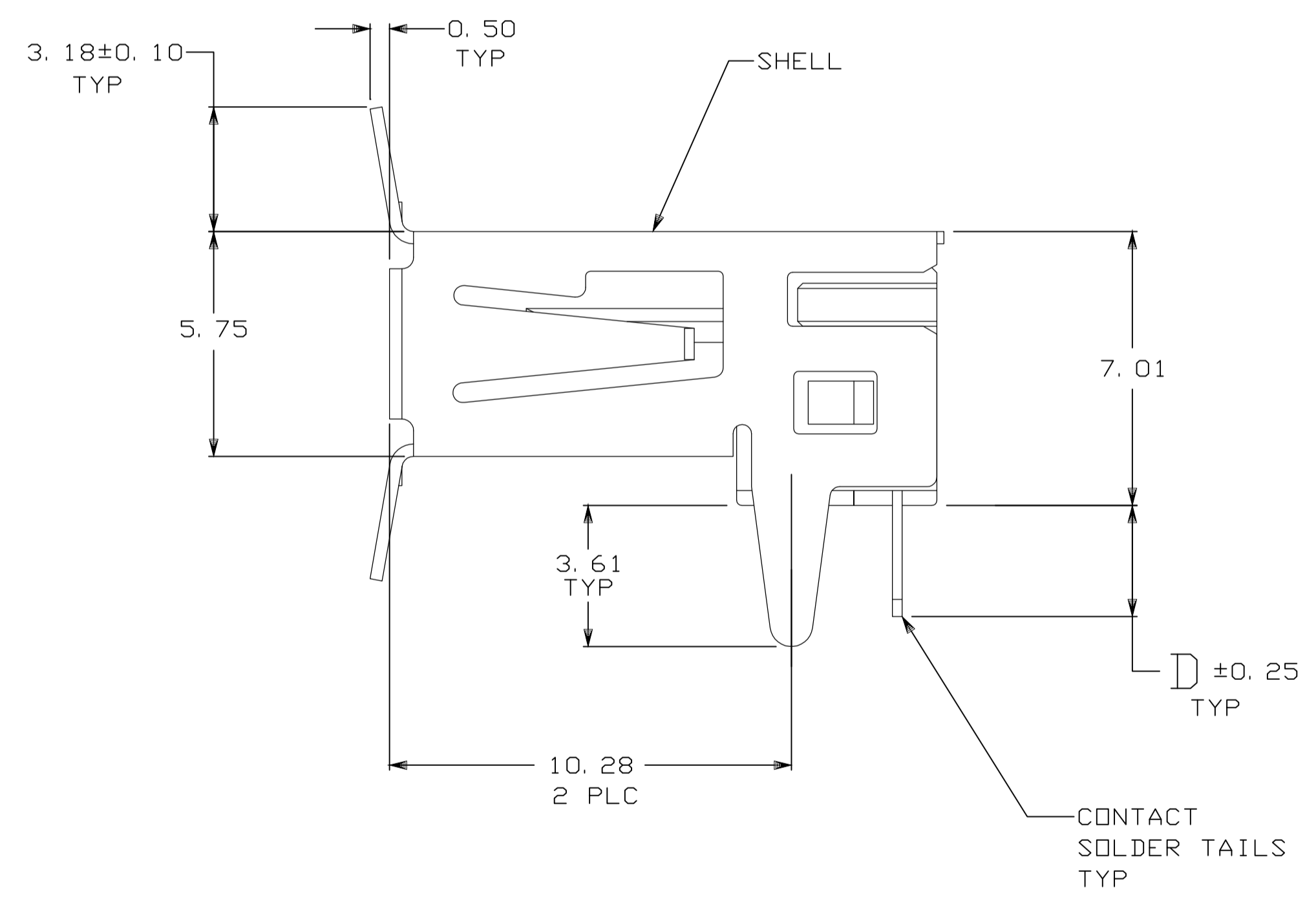
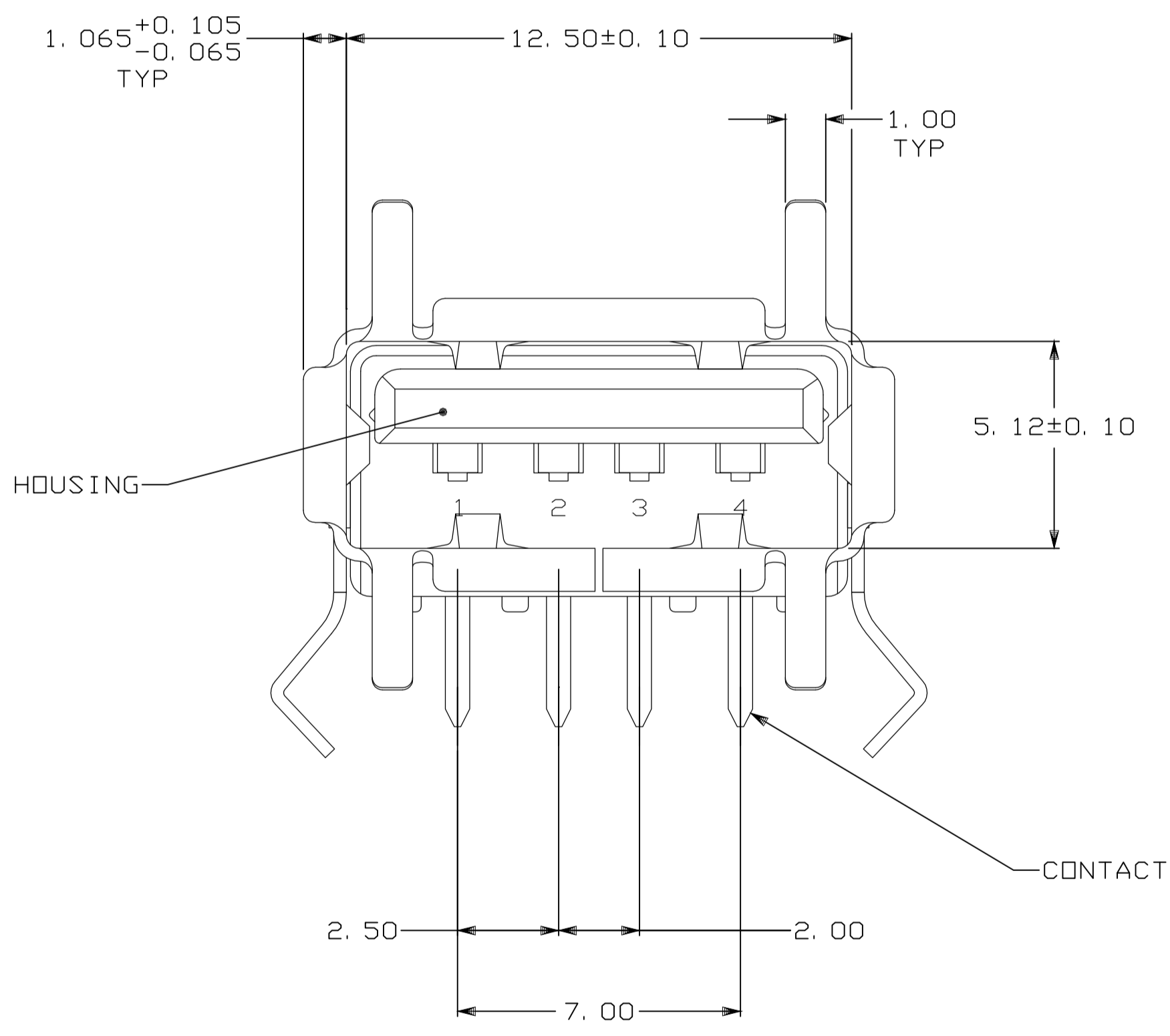
Email & Skype: info@chipsmall.com Web: www.chipsmall.com

Address: A1208, Overseas Decoration Building, #122 Zhenhua RD., Futian, Shenzhen, China





- △ MATERIAL:
SHELL & CONTACTS- COPPER ALLOY.
HOUSING- UL 94V-0 RATED, THERMOPLASTIC, BLACK.
- △ PLATING:
CONTACTS- 0.076um MINIMUM GOLD OVER 0.76um MINIMUM PALLADIUM-NICKEL ON MATING AREA.
3.8um MINIMUM MATTE TIN ON SOLDER TAILS.
BOTH OVER 1.27um MINIMUM NICKEL.
CONTACT ALTERNATE PLATING: 0.76um MIN GOLD ON MATING AREA, 3.80um MIN MATTE TIN ON SOLDER TAILS, BOTH OVER 1.27um MIN NICKEL.
SHELL: 2~5um MINIMUM BRIGHT TIN OVER 1.0~3.0um NICKEL.
- △ DATUM AND BASIC DIMENSIONS ESTABLISHED BY CUSTOMER.
- △ RECOMMENDED PC BOARD THICKNESS OF 1.57.
- △ PLATING:
CONTACT PLATING: 0.38um MIN GOLD ON MATING AREA, 3.80um MIN MATTE TIN ON SOLDER TAILS, BOTH OVER 1.27um MIN NICKEL.
SHELL: 2~5um MINIMUM BRIGHT TIN OVER 1.0~3.0um NICKEL.
- △ OBSOLETE PARTS: OBSOLETE CIS STREAMLINING PER D.RENAUD/D.SINISI



△	YES	3.30	BLACK	5787761-8
△	YES	3.30	BLACK	5787761-7
△	YES	2.29	BLACK	5787761-6
△	NO	2.84	NATURAL	5787761-3
△	NO	2.29	BLACK	5787761-2
△	NO	2.84	BLACK	5787761-1
FINISH	HIGH TEMPERATURE COMPATIBLE	D	HOUSING COLOR	PART NUMBER

THIS DRAWING IS A CONTROLLED DOCUMENT.

<table border="1"> <tr> <th>DIMENSIONS:</th> <th>TOLERANCES UNLESS OTHERWISE SPECIFIED:</th> </tr> <tr> <td>mm</td> <td></td> </tr> <tr> <td>0 PLC</td> <td>± -</td> </tr> <tr> <td>1 PLC</td> <td>± -</td> </tr> <tr> <td>2 PLC</td> <td>± 0.13</td> </tr> <tr> <td>3 PLC</td> <td>± -</td> </tr> <tr> <td>4 PLC</td> <td>± -</td> </tr> <tr> <td>ANGLES</td> <td>± -</td> </tr> </table>	DIMENSIONS:	TOLERANCES UNLESS OTHERWISE SPECIFIED:	mm		0 PLC	± -	1 PLC	± -	2 PLC	± 0.13	3 PLC	± -	4 PLC	± -	ANGLES	± -	<table border="1"> <tr> <td>DIN</td> <td>ROY HAO</td> <td>18JUN04</td> </tr> <tr> <td>CHK</td> <td>STEVEN YAO</td> <td>18JUN04</td> </tr> <tr> <td>APVD</td> <td>IENOMOTO</td> <td>18JUN04</td> </tr> <tr> <td>NAME</td> <td colspan="2">RECEPTACLE ASSEMBLY, RIGHT ANGLE 4 POS, THRU-HOLE, USB</td> </tr> <tr> <td>PRODUCT SPEC</td> <td colspan="2">-</td> </tr> <tr> <td>APPLICATION SPEC</td> <td colspan="2">-</td> </tr> <tr> <td>SIZE</td> <td>CAGE CODE</td> <td>DRAWING NO</td> </tr> <tr> <td>RESTRICTED TO</td> <td>A1</td> <td>00779</td> </tr> <tr> <td>WEIGHT</td> <td colspan="2">-</td> </tr> <tr> <td>CUSTOMER DRAWING</td> <td>SCALE</td> <td>1:1</td> </tr> <tr> <td>SHEET</td> <td>1</td> <td>1</td> </tr> <tr> <td>REV</td> <td colspan="2">C3</td> </tr> </table>	DIN	ROY HAO	18JUN04	CHK	STEVEN YAO	18JUN04	APVD	IENOMOTO	18JUN04	NAME	RECEPTACLE ASSEMBLY, RIGHT ANGLE 4 POS, THRU-HOLE, USB		PRODUCT SPEC	-		APPLICATION SPEC	-		SIZE	CAGE CODE	DRAWING NO	RESTRICTED TO	A1	00779	WEIGHT	-		CUSTOMER DRAWING	SCALE	1:1	SHEET	1	1	REV	C3	
DIMENSIONS:	TOLERANCES UNLESS OTHERWISE SPECIFIED:																																																				
mm																																																					
0 PLC	± -																																																				
1 PLC	± -																																																				
2 PLC	± 0.13																																																				
3 PLC	± -																																																				
4 PLC	± -																																																				
ANGLES	± -																																																				
DIN	ROY HAO	18JUN04																																																			
CHK	STEVEN YAO	18JUN04																																																			
APVD	IENOMOTO	18JUN04																																																			
NAME	RECEPTACLE ASSEMBLY, RIGHT ANGLE 4 POS, THRU-HOLE, USB																																																				
PRODUCT SPEC	-																																																				
APPLICATION SPEC	-																																																				
SIZE	CAGE CODE	DRAWING NO																																																			
RESTRICTED TO	A1	00779																																																			
WEIGHT	-																																																				
CUSTOMER DRAWING	SCALE	1:1																																																			
SHEET	1	1																																																			
REV	C3																																																				

STE TE Connectivity