



Chipsmall Limited consists of a professional team with an average of over 10 year of expertise in the distribution of electronic components. Based in Hongkong, we have already established firm and mutual-benefit business relationships with customers from,Europe,America and south Asia,supplying obsolete and hard-to-find components to meet their specific needs.

With the principle of “Quality Parts,Customers Priority,Honest Operation,and Considerate Service”,our business mainly focus on the distribution of electronic components. Line cards we deal with include Microchip,ALPS,ROHM,Xilinx,Pulse,ON,Everlight and Freescale. Main products comprise IC,Modules,Potentiometer,IC Socket,Relay,Connector.Our parts cover such applications as commercial,industrial, and automotives areas.

We are looking forward to setting up business relationship with you and hope to provide you with the best service and solution. Let us make a better world for our industry!



## Contact us

Tel: +86-755-8981 8866 Fax: +86-755-8427 6832

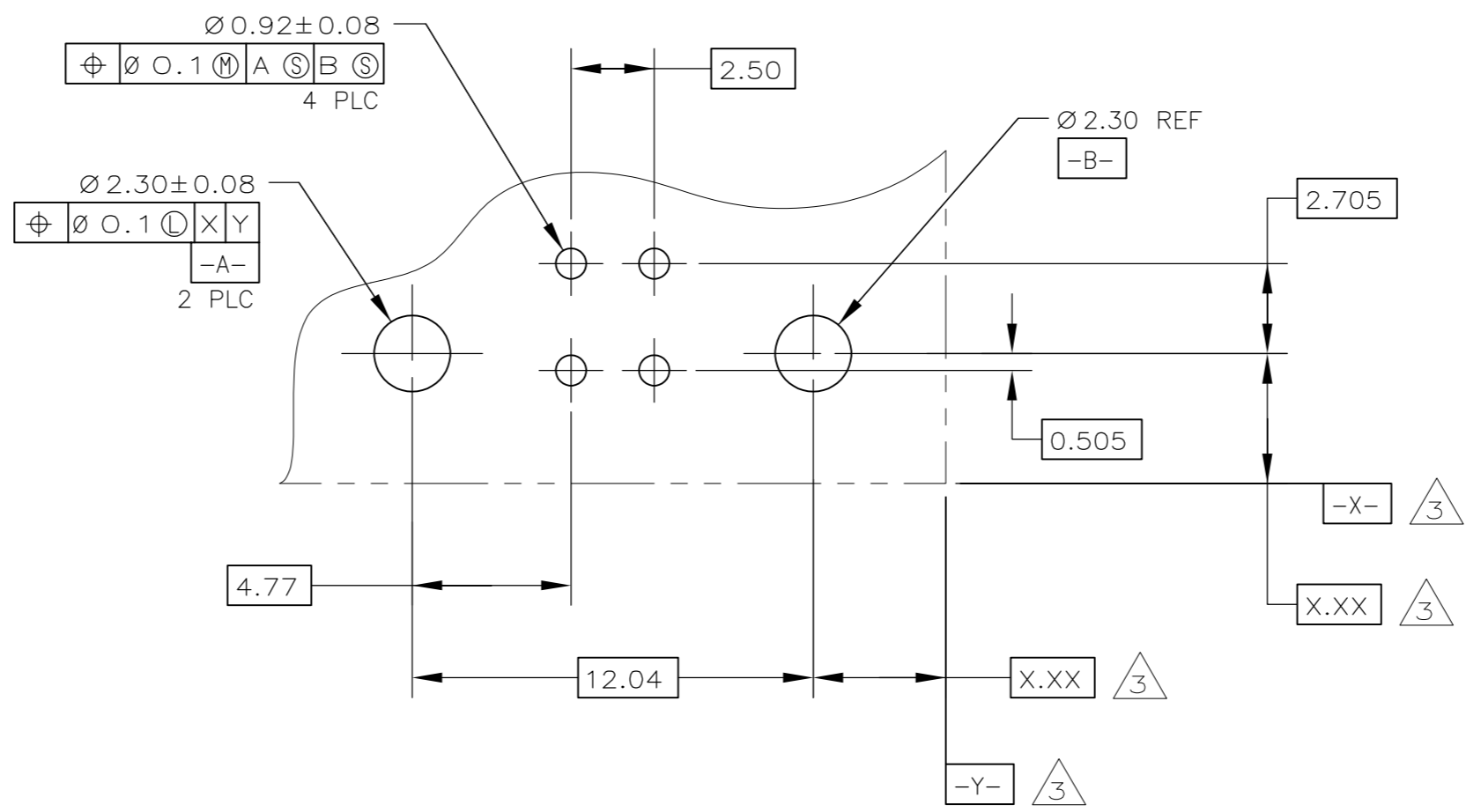
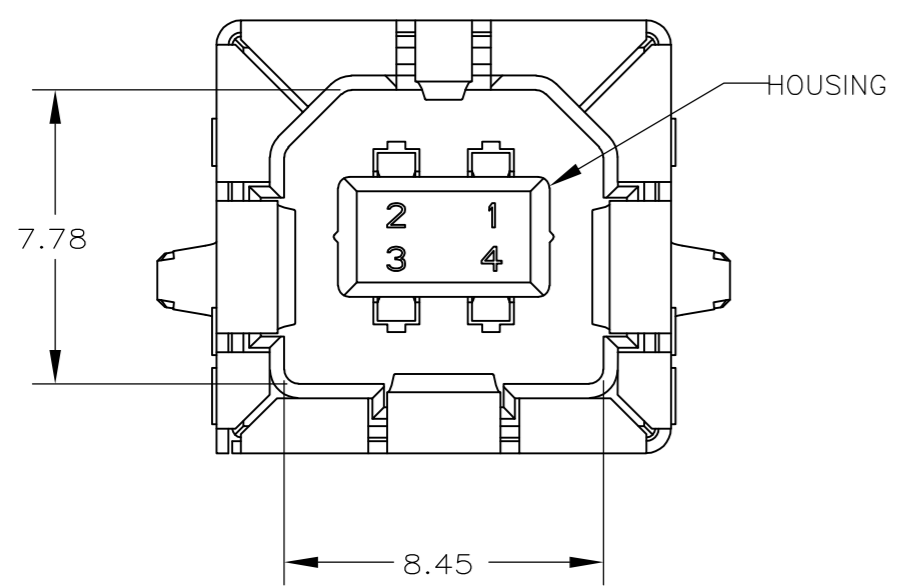
Email & Skype: info@chipsmall.com Web: www.chipsmall.com

Address: A1208, Overseas Decoration Building, #122 Zhenhua RD., Futian, Shenzhen, China



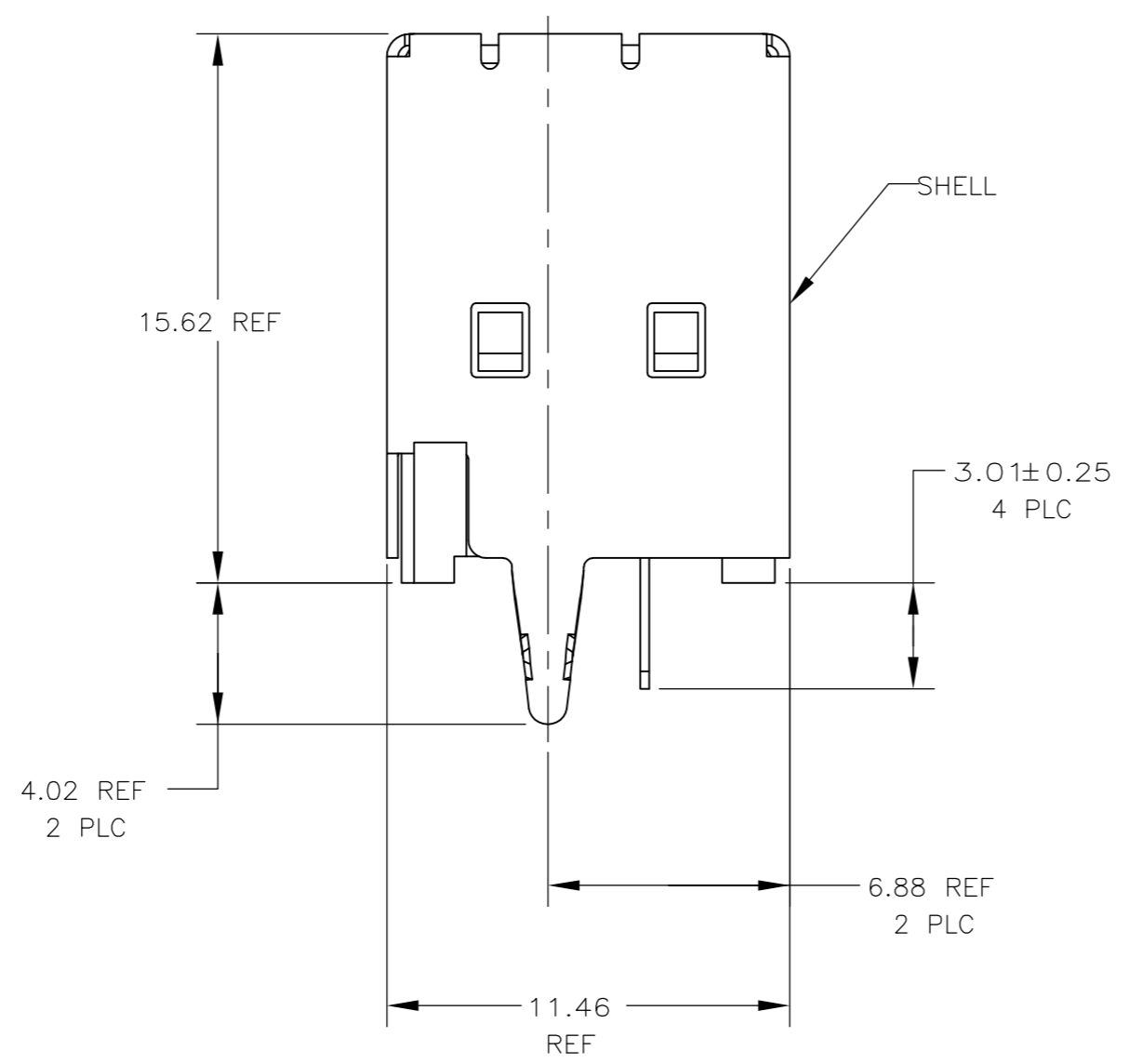
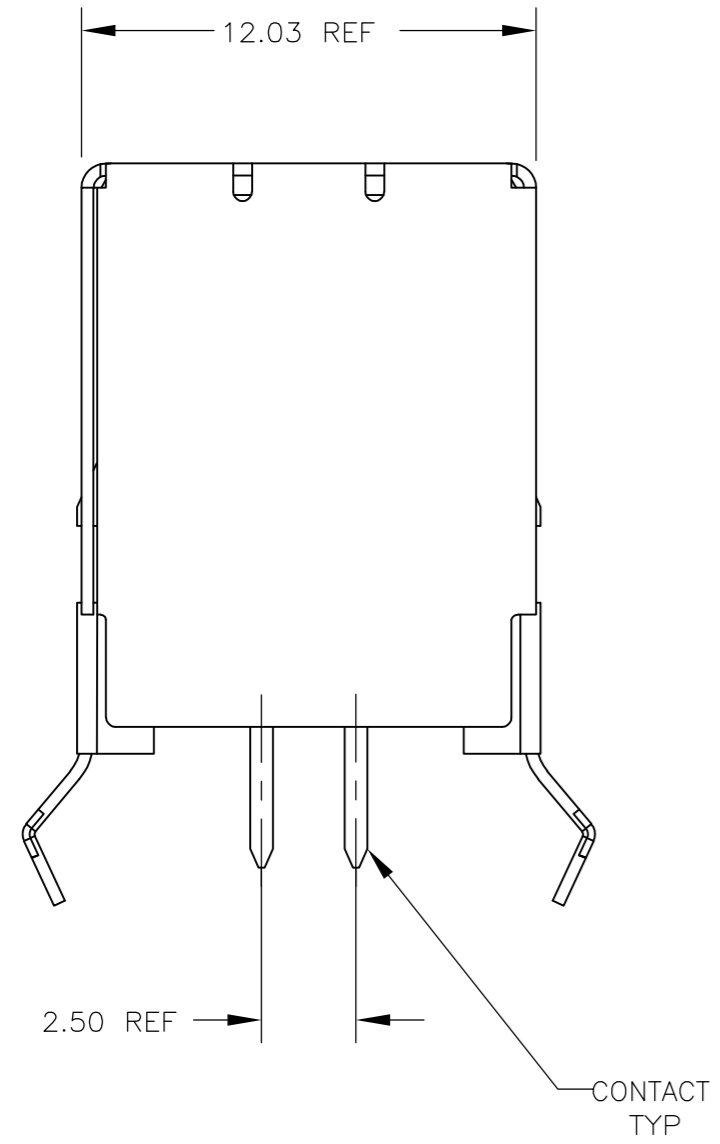
THIS DRAWING IS UNPUBLISHED. RELEASED FOR PUBLICATION  
 © COPYRIGHT - By - ALL RIGHTS RESERVED.

LOC		DIST		REVISIONS			
P	LTR	DESCRIPTION		DATE	DWN	APVD	
ES	00	A1	REVISED PER ECO-11-005033	24MAR11	RK	HMR	



LEAD FREE

PC BOARD MOUNTING DIMENSIONS



- 1 MATERIAL:  
SHELL & CONTACTS - COPPER ALLOY.  
HOUSING - UL 94V-0 RATED, THERMOPLASTIC, FOR COLOR SEE TABLE.
- 2 PLATING:  
CONTACTS - 0.076um MINIMUM GOLD OVER 0.76um MINIMUM PALLADIUM-NICKEL ON MATING AREA, 3.8um MINIMUM MATTE TIN ON SOLDER TAILS, BOTH OVER 1.27um MINIMUM NICKEL.  
CONTACT ALTERNATE PLATING: 0.76um MINIMUM GOLD ON MATING AREA, 3.80um MINIMUM MATTE TIN ON SOLDER TAILS, BOTH OVER 1.27um MINIMUM NICKEL.  
SHELL - 2~5um MINIMUM BRIGHT TIN.
- 3 DATUM AND BASIC DIMENSIONS ESTABLISHED BY CUSTOMER.
- 4 RECOMMENDED PC BOARD THICKNESS OF 1.57mm.

NATURAL	0-5787834-2
BLACK	0-5787834-1
HOUSING COLOR	PART NUMBER

THIS DRAWING IS A CONTROLLED DOCUMENT.		DWN Ivanov Wang 28MAY2004		TE Connectivity			
DIMENSIONS: mm		CHK Steven Yao 28MAY2004		NAME			
TOLERANCES UNLESS OTHERWISE SPECIFIED:		APVD Takinori Sasaki 28MAY2004		PRODUCT SPEC			
0 PLC ± - 1 PLC ± 0.1 2 PLC ± 0.05 3 PLC ± 0.013 4 PLC ± - ANGLES ± - FINISH ± -		APPLICATION SPEC		RECEPTACLE ASSY, 4 POS. VERTICAL, THRU-HOLE, TYPE B UNIVERSAL SERIAL BUS			
MATERIAL	- 1	WEIGHT	-	SIZE A2	CAGE CODE 00779	DRAWING NO C=5787834	RESTRICTED TO
CUSTOMER DRAWING			SCALE 5:1	SHEET 1 of 1	REV A1		