



Chipsmall Limited consists of a professional team with an average of over 10 year of expertise in the distribution of electronic components. Based in Hongkong, we have already established firm and mutual-benefit business relationships with customers from,Europe,America and south Asia,supplying obsolete and hard-to-find components to meet their specific needs.

With the principle of “Quality Parts,Customers Priority,Honest Operation,and Considerate Service”,our business mainly focus on the distribution of electronic components. Line cards we deal with include Microchip,ALPS,ROHM,Xilinx,Pulse,ON,Everlight and Freescale. Main products comprise IC,Modules,Potentiometer,IC Socket,Relay,Connector.Our parts cover such applications as commercial,industrial, and automotives areas.

We are looking forward to setting up business relationship with you and hope to provide you with the best service and solution. Let us make a better world for our industry!



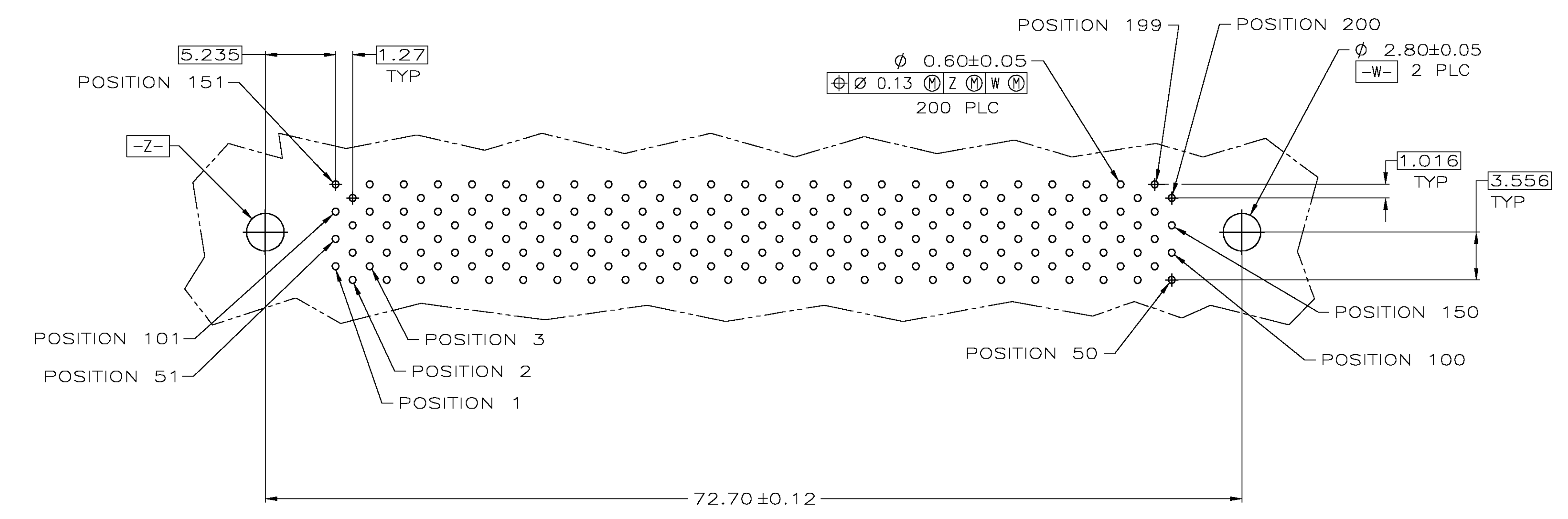
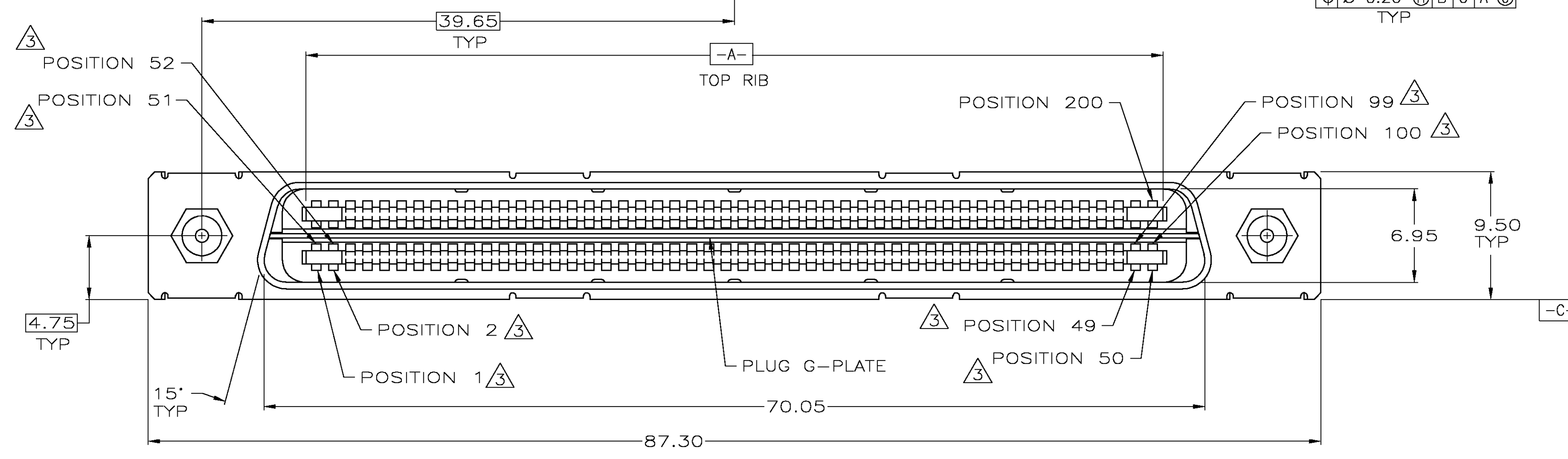
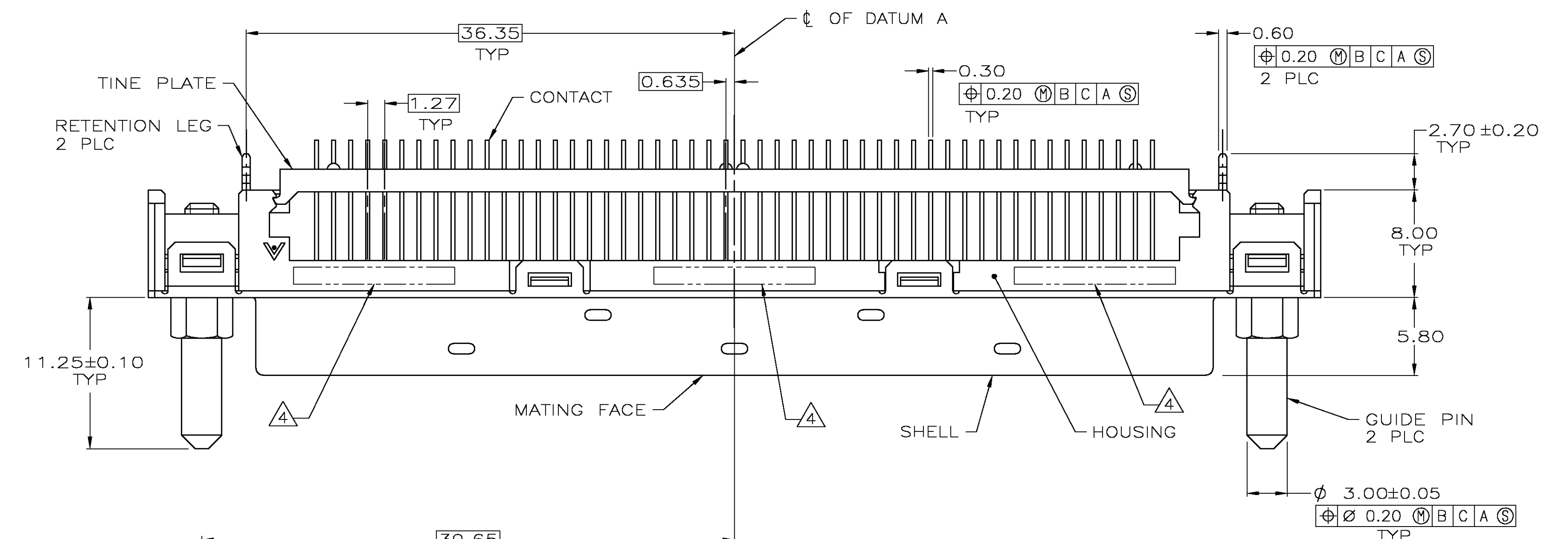
Contact us

Tel: +86-755-8981 8866 Fax: +86-755-8427 6832

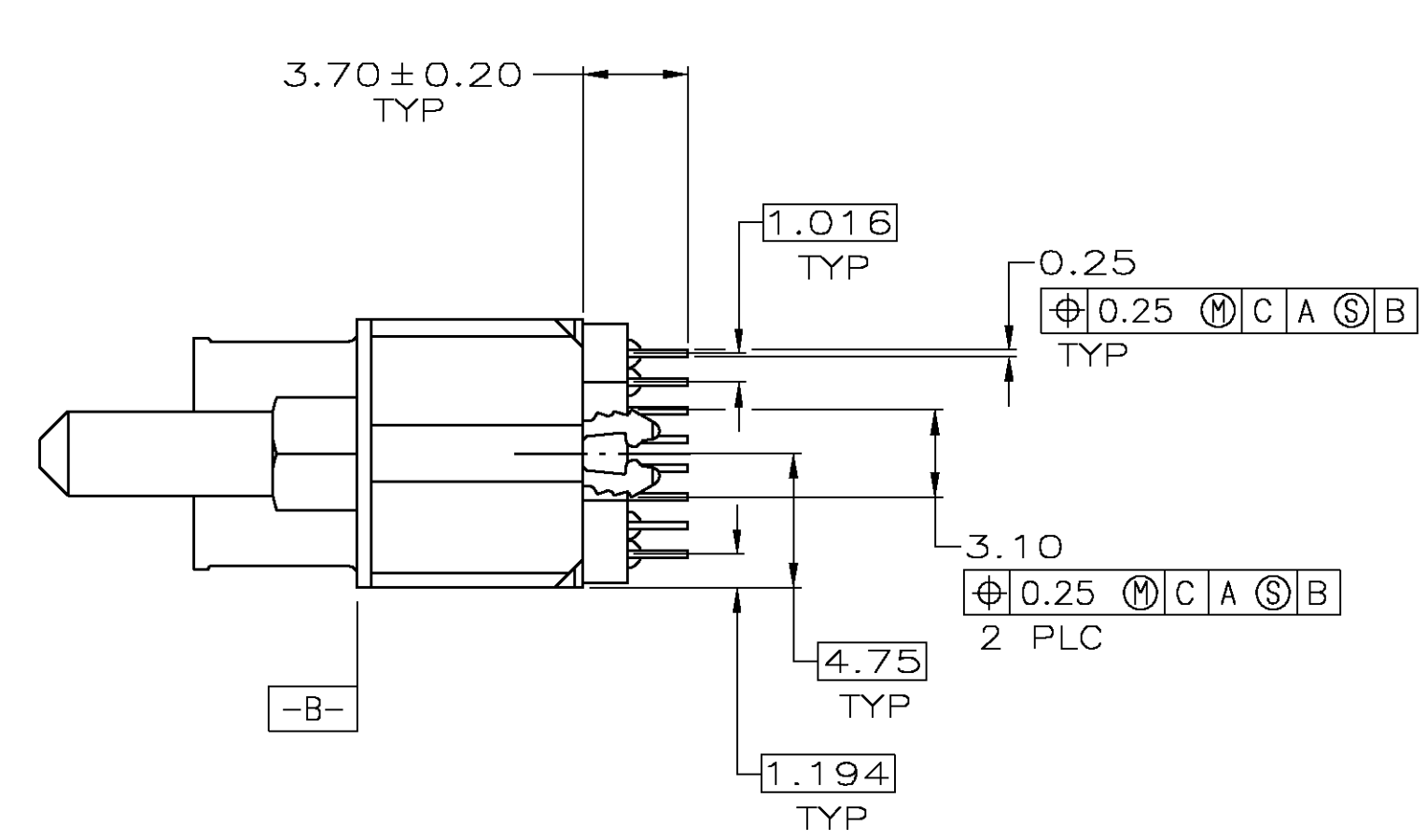
Email & Skype: info@chipsmall.com Web: www.chipsmall.com

Address: A1208, Overseas Decoration Building, #122 Zhenhua RD., Futian, Shenzhen, China





- △ HOUSING AND TINE PLATE: POLYESTER, NATURAL.
CONTACT: COPPER ALLOY.
SHELL: CARBON STEEL.
RETENTION LEG AND GUIDE PIN: BRASS.
PLUG G-PLATE: STAINLESS STEEL.
- △ SHELL: 3.00 μm MIN NICKEL OVER 1.30 μm MIN COPPER.
RETENTION LEG: 2.00 μm MIN TIN OVER 1.00 μm MIN NICKEL.
GUIDE PIN: NICKEL OVER COPPER.
CONTACTS: 0.76 μm MIN GOLD FOR A LENGTH OF 3.00 MIN FROM MATING END,
2.54 μm MIN TIN FOR A LENGTH OF 3.90 MIN FROM OPPOSITE END,
BOTH OVER 1.27 μm MIN NICKEL.
- △ CONTACTS 1,2,49,50,51,52,99, AND 100 ARE SEQUENCED TOWARDS MATING FACE.
- △ DATE CODE MAY BE MARKED ON THIS SIDE, IN ONE OF THE LOCATIONS SHOWN.



RECOMMENDED PC BOARD MOUNTING DIMENSIONS
COMPONENT SIDE

**COPYRIGHT 2005
TYCO ELECTRONICS CORP
ALL RIGHTS RESERVED**

5787886-1
PART NUMBER

THIS DRAWING IS A CONTROLLED DOCUMENT.		DIN G. ATTADIA - 12-07-04	Tyco Electronics Corporation Harrisburg, Pa 17105-3608
DIMENSIONS: mm		CHK C. ROHDFE 12-07-04	
TOLERANCES UNLESS OTHERWISE SPECIFIED:		APVD W. WALMSLEY 12-07-04	NAME: PLUG ASSEMBLY, 200 POSITION, VERTICAL, .050, CHAMP
0 PLC ± -		PRODUCT SPEC	
1 PLC ± -		APPLICATION SPEC	SIZE: A1
2 PLC ± 0.25		WEIGHT	CAGE CODE: 00779
3 PLC ± -		CUSTOMER DRAWING	DRAWING NO: 5787886
4 PLC ± -		SCALE: 4:1	SHEET 1 OF 1
ANGLES ± - Z		REV: 0	