



Chipsmall Limited consists of a professional team with an average of over 10 year of expertise in the distribution of electronic components. Based in Hongkong, we have already established firm and mutual-benefit business relationships with customers from,Europe,America and south Asia,supplying obsolete and hard-to-find components to meet their specific needs.

With the principle of "Quality Parts,Customers Priority,Honest Operation,and Considerate Service",our business mainly focus on the distribution of electronic components. Line cards we deal with include Microchip,ALPS,ROHM,Xilinx,Pulse,ON,Everlight and Freescale. Main products comprise IC,Modules,Potentiometer,IC Socket,Relay,Connector.Our parts cover such applications as commercial,industrial, and automotives areas.

We are looking forward to setting up business relationship with you and hope to provide you with the best service and solution. Let us make a better world for our industry!



## Contact us

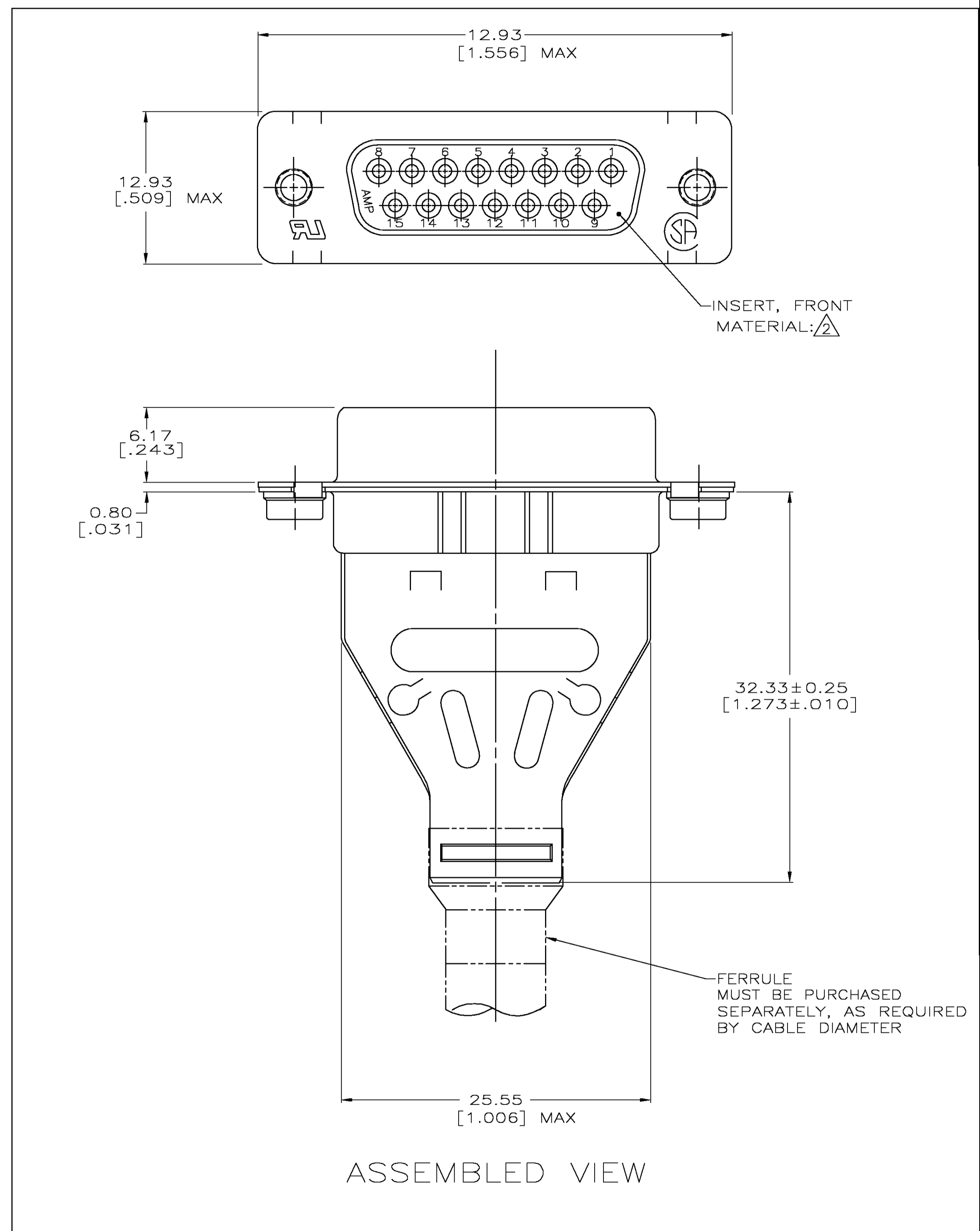
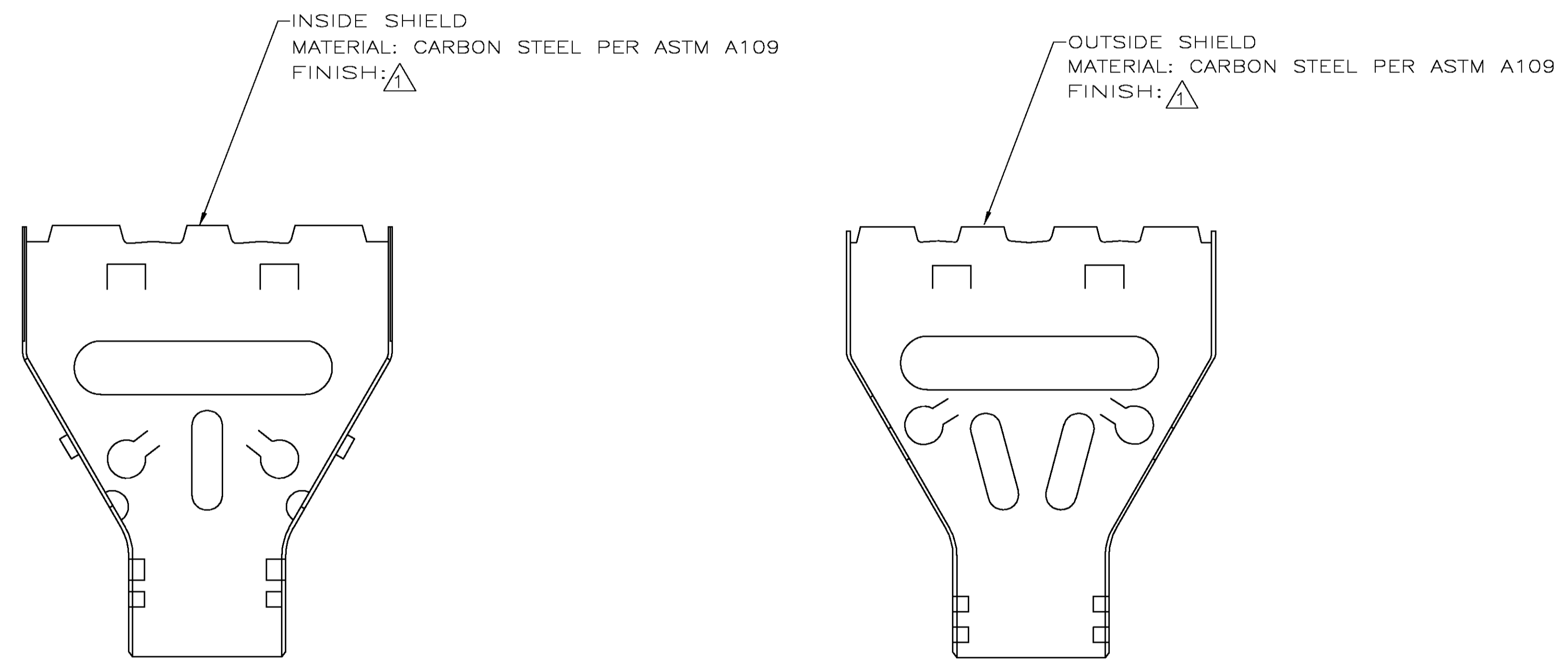
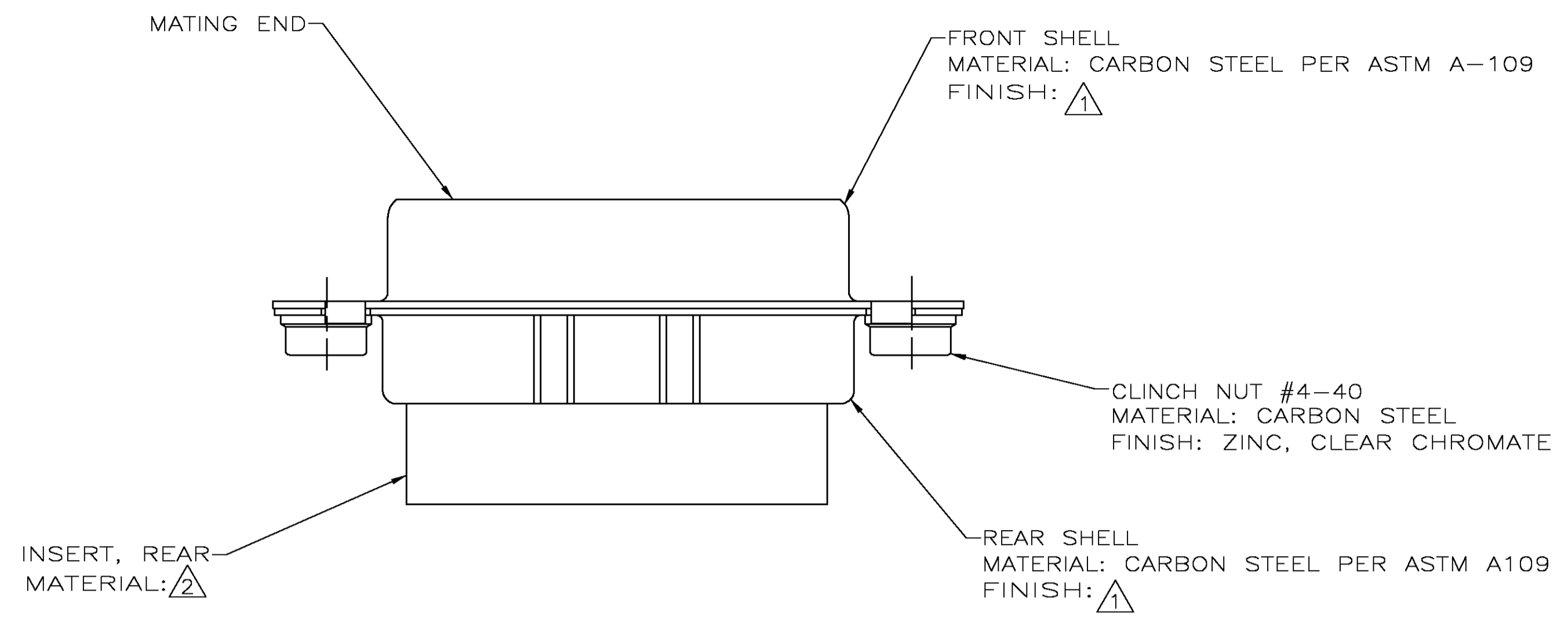
Tel: +86-755-8981 8866 Fax: +86-755-8427 6832

Email & Skype: info@chipsmall.com Web: www.chipsmall.com

Address: A1208, Overseas Decoration Building, #122 Zhenhua RD., Futian, Shenzhen, China



LOC		DIST		REVISIONS			
P	LTR	DESCRIPTION	DATE	DNW	APVD		
0		RELEASED PER EC 0513-0257-04	11-12-04	GA	JG		



$\Delta 1$  5.08  $\mu$ m [.000200] MIN TIN OVER 2.54  $\mu$ m [.000100] MIN COPPER.  
 $\Delta 2$  NYLON, BLACK.

5787908-1  
 PART NO

THIS DRAWING IS A CONTROLLED DOCUMENT.		DNW G. ATTADIA - 11-12-04	 Tyco Electronics Corporation Harrisburg, PA 17105-3608
DIMENSIONS: mm [inches]		CHK J. GERACE 11-12-04	
TOLERANCES UNLESS OTHERWISE SPECIFIED:		APVD M. WALMSLEY 11-12-04	NAME RECEPTACLE KIT, UNASSEMBLED, 15 POSN, SIZE 2, WITH CLINCH NUTS, HDP-20 AMPLIMITE
0 PLC ± -	1 PLC ± -	PRODUCT SPEC 10B-40005 & 10B-40030	APPLICATION SPEC 114-40030
2 PLC ± 0.13 [.005]	3 PLC ± -	SIZE A1	SCALE 4:1
4 PLC ± -	ANGLES ± -	WEIGHT -	RESTRICTED TO -
MATERIAL SEE CALLOUTS	FINISH SEE CALLOUTS	CUSTOMER DRAWING	SCALE 4:1 SHEET 1 OF 1 REV 0