



Chipsmall Limited consists of a professional team with an average of over 10 year of expertise in the distribution of electronic components. Based in Hongkong, we have already established firm and mutual-benefit business relationships with customers from,Europe,America and south Asia,supplying obsolete and hard-to-find components to meet their specific needs.

With the principle of “Quality Parts,Customers Priority,Honest Operation,and Considerate Service”,our business mainly focus on the distribution of electronic components. Line cards we deal with include Microchip,ALPS,ROHM,Xilinx,Pulse,ON,Everlight and Freescale. Main products comprise IC,Modules,Potentiometer,IC Socket,Relay,Connector.Our parts cover such applications as commercial,industrial, and automotives areas.

We are looking forward to setting up business relationship with you and hope to provide you with the best service and solution. Let us make a better world for our industry!



Contact us

Tel: +86-755-8981 8866 Fax: +86-755-8427 6832

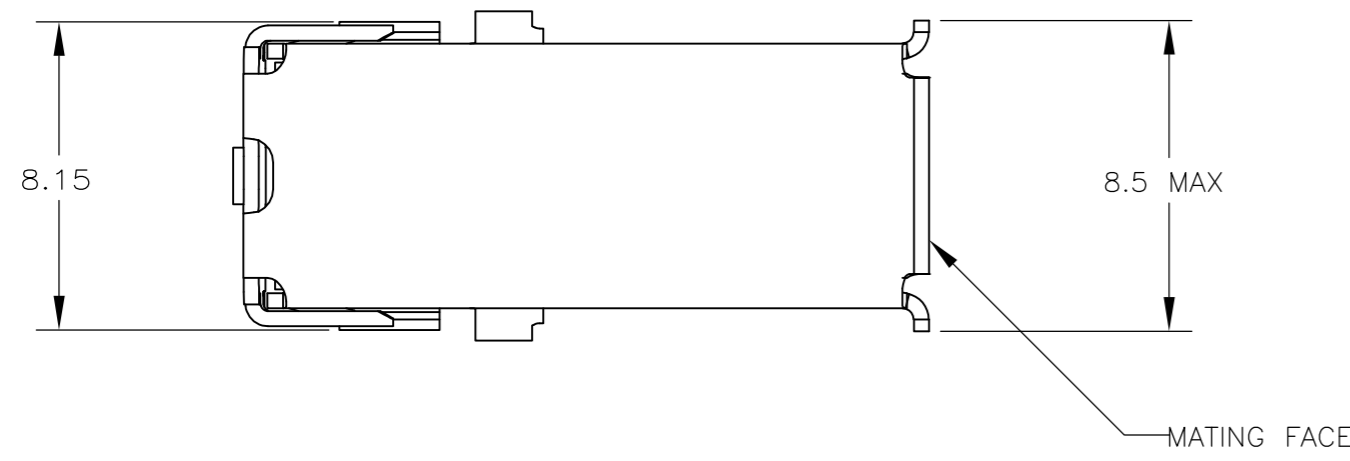
Email & Skype: info@chipsmall.com Web: www.chipsmall.com

Address: A1208, Overseas Decoration Building, #122 Zhenhua RD., Futian, Shenzhen, China

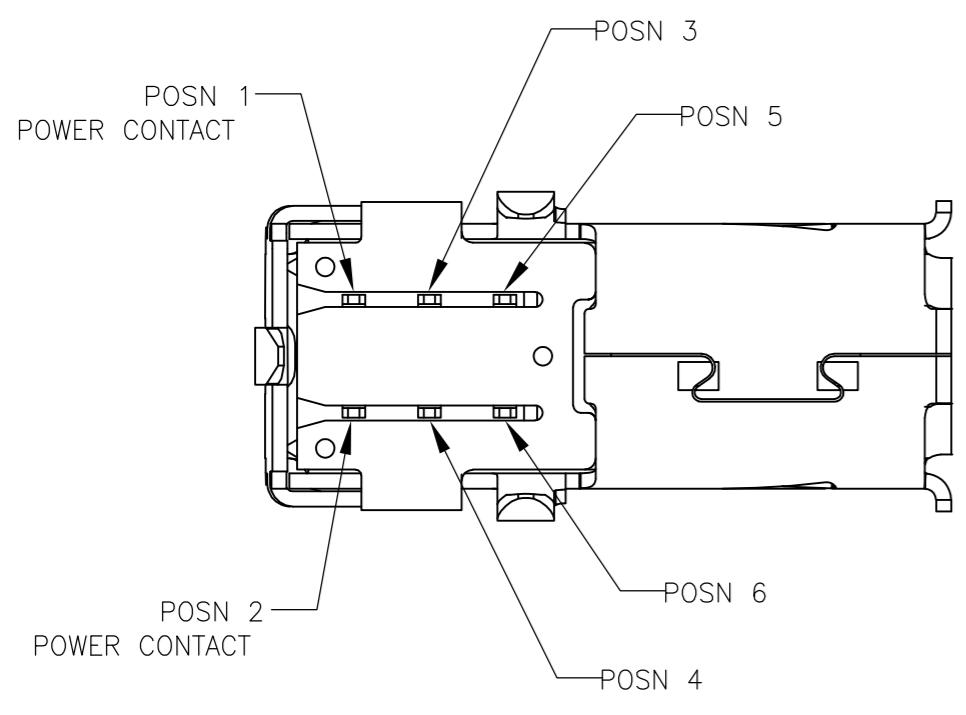
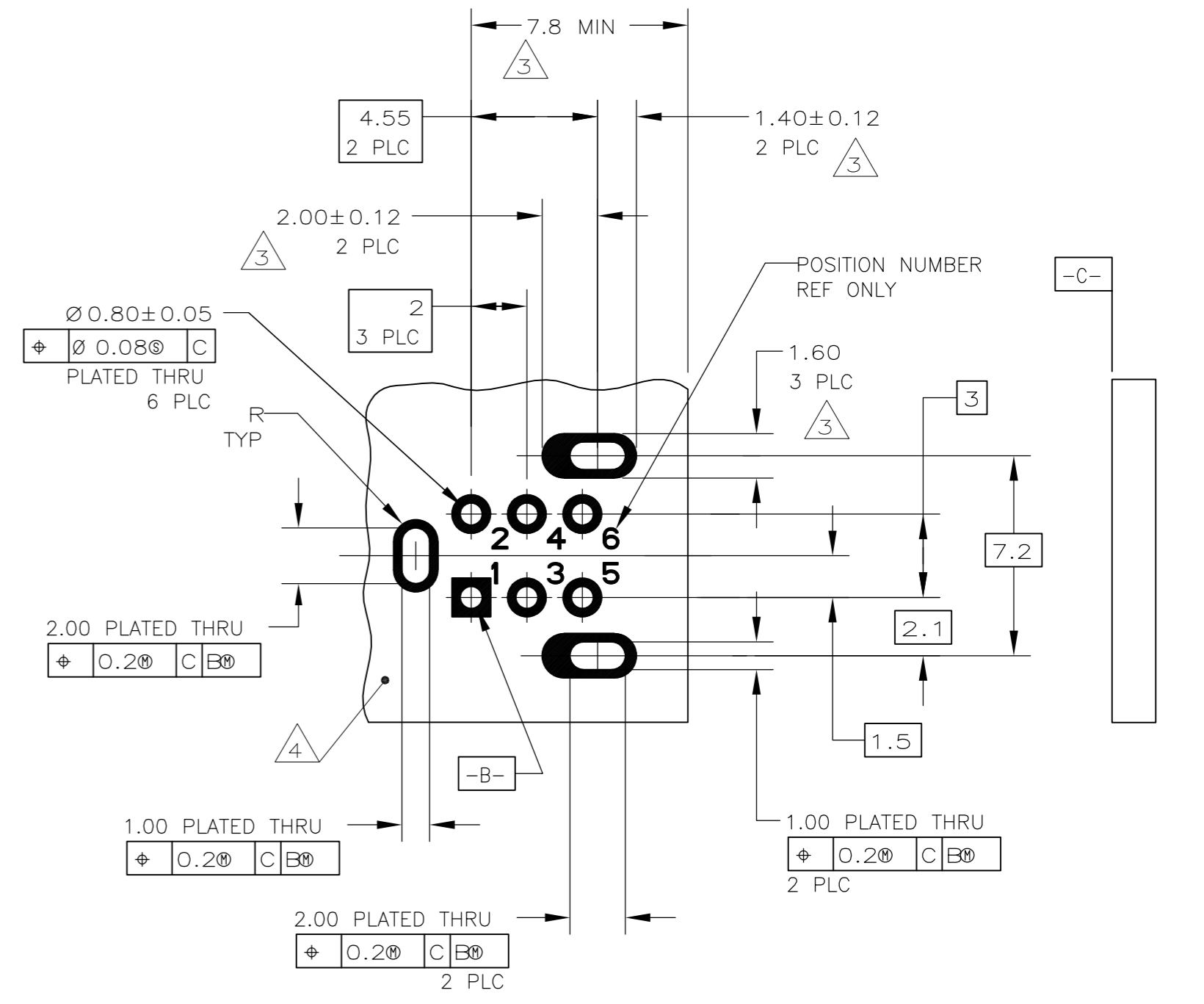
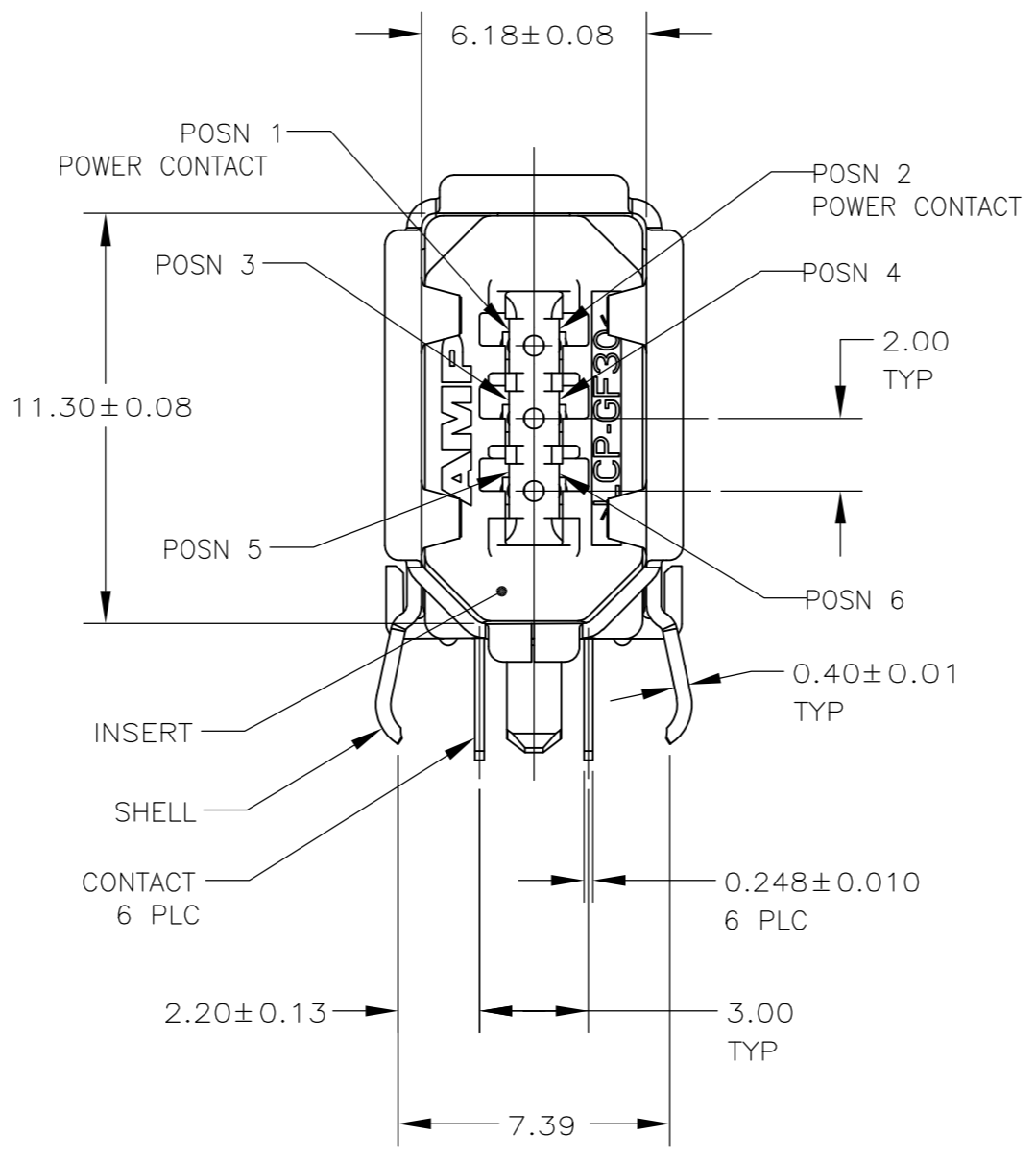
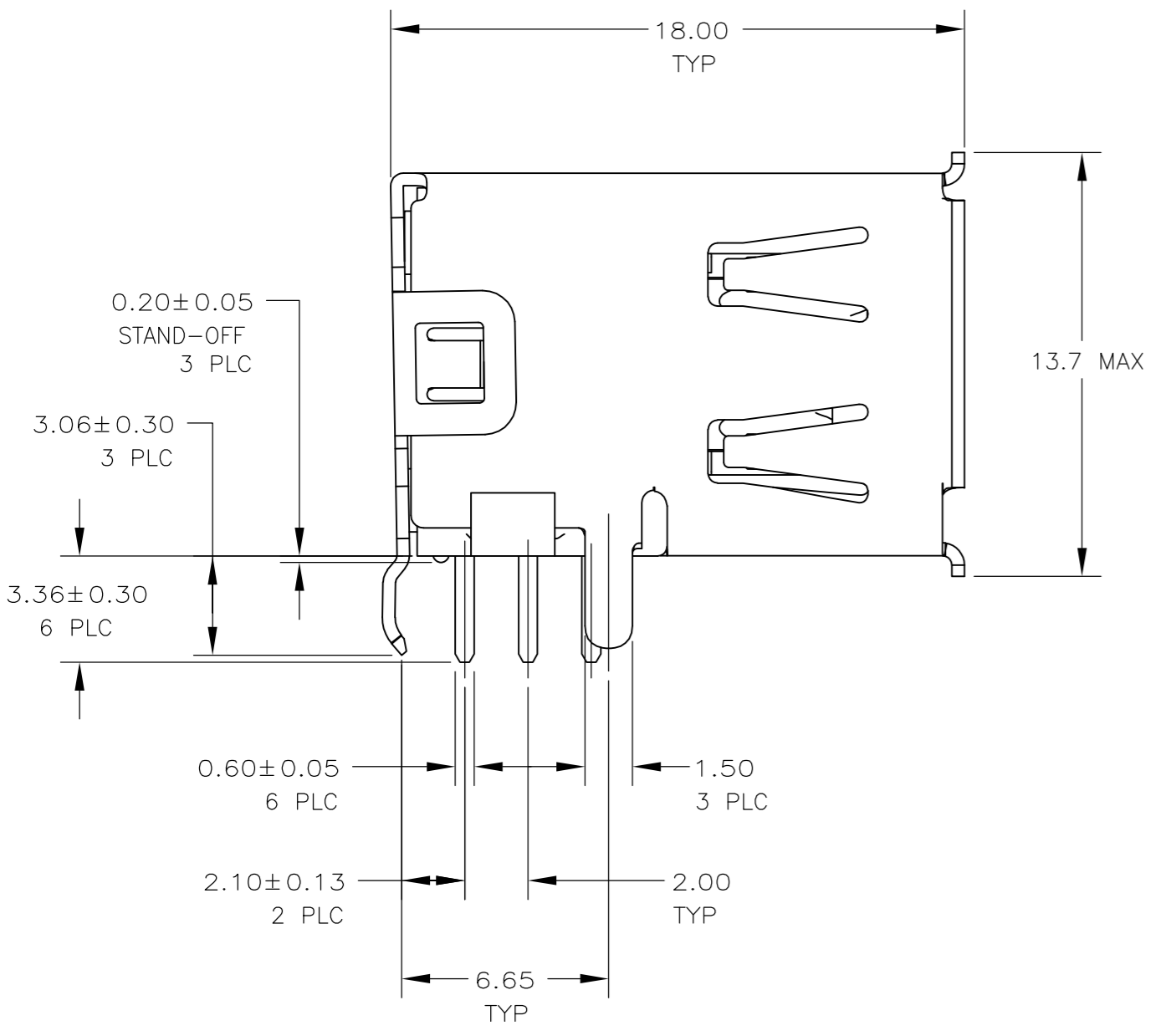


THIS DRAWING IS UNPUBLISHED. RELEASED FOR PUBLICATION
 © COPYRIGHT - By - ALL RIGHTS RESERVED.

LOC		DIST		REVISIONS			
P	LTR	DESCRIPTION		DATE	DWN	APVD	
ES	00	P		REVISED PER ECO-11-005033	28MAR11	RK	HMR



- 1 CONTACTS: BRASS; SHELL: PHOS BRONZE; INSERT: LCP, BLACK, UL 94V-0 RATED.
- 2 CONTACTS: (0.076µm MIN GOLD OVER 0.76µm MIN PALLADIUM-NICKEL) OR (0.76µm MIN GOLD) FOR A LENGTH OF 2 MIN ON MATING FACE END, 3.81µm MIN TIN FOR A LENGTH OF 3.75 MIN ON OPPOSITE END, ALL OVER 1.27µm MIN NICKEL; SHELL: 2~5µm MIN TIN.
- 3 COORDINATE DIMENSION APPLIES FROM CENTER OF ACTUAL FEATURE.
- 4 CONNECTOR SIDE OF PWB IS SHOWN.



LEAD FREE

IN TRAYS	5787956-1
PACKAGING	PART NO

THIS DRAWING IS A CONTROLLED DOCUMENT.		DWN LEO ZHOU 05NOV04	TE Connectivity	
DIMENSIONS: mm		CHK STEVEN YAO 05NOV04		
TOLERANCES UNLESS OTHERWISE SPECIFIED:		APVD JENOMOTO 05NOV04	NAME SOCKET ASSEMBLY, FLANGED, RIGHT-ANGLE UPRIGHT, IEEE P1394	
0 PLC ± -	1 PLC ± -	PRODUCT SPEC	SIZE A2	CAGE CODE 00779
2 PLC ± -	3 PLC ± -	APPLICATION SPEC	DRAWING NO C=5787956	RESTRICTED TO
4 PLC ± -	ANGLES ± -	FINISH	SCALE 5:1	SHEET 1 OF 1
MATERIAL - 1	FINISH - 2	WEIGHT -	CUSTOMER DRAWING	REV P