



Chipsmall Limited consists of a professional team with an average of over 10 year of expertise in the distribution of electronic components. Based in Hongkong, we have already established firm and mutual-benefit business relationships with customers from,Europe,America and south Asia,supplying obsolete and hard-to-find components to meet their specific needs.

With the principle of “Quality Parts,Customers Priority,Honest Operation,and Considerate Service”,our business mainly focus on the distribution of electronic components. Line cards we deal with include Microchip,ALPS,ROHM,Xilinx,Pulse,ON,Everlight and Freescale. Main products comprise IC,Modules,Potentiometer,IC Socket,Relay,Connector.Our parts cover such applications as commercial,industrial, and automotives areas.

We are looking forward to setting up business relationship with you and hope to provide you with the best service and solution. Let us make a better world for our industry!



## Contact us

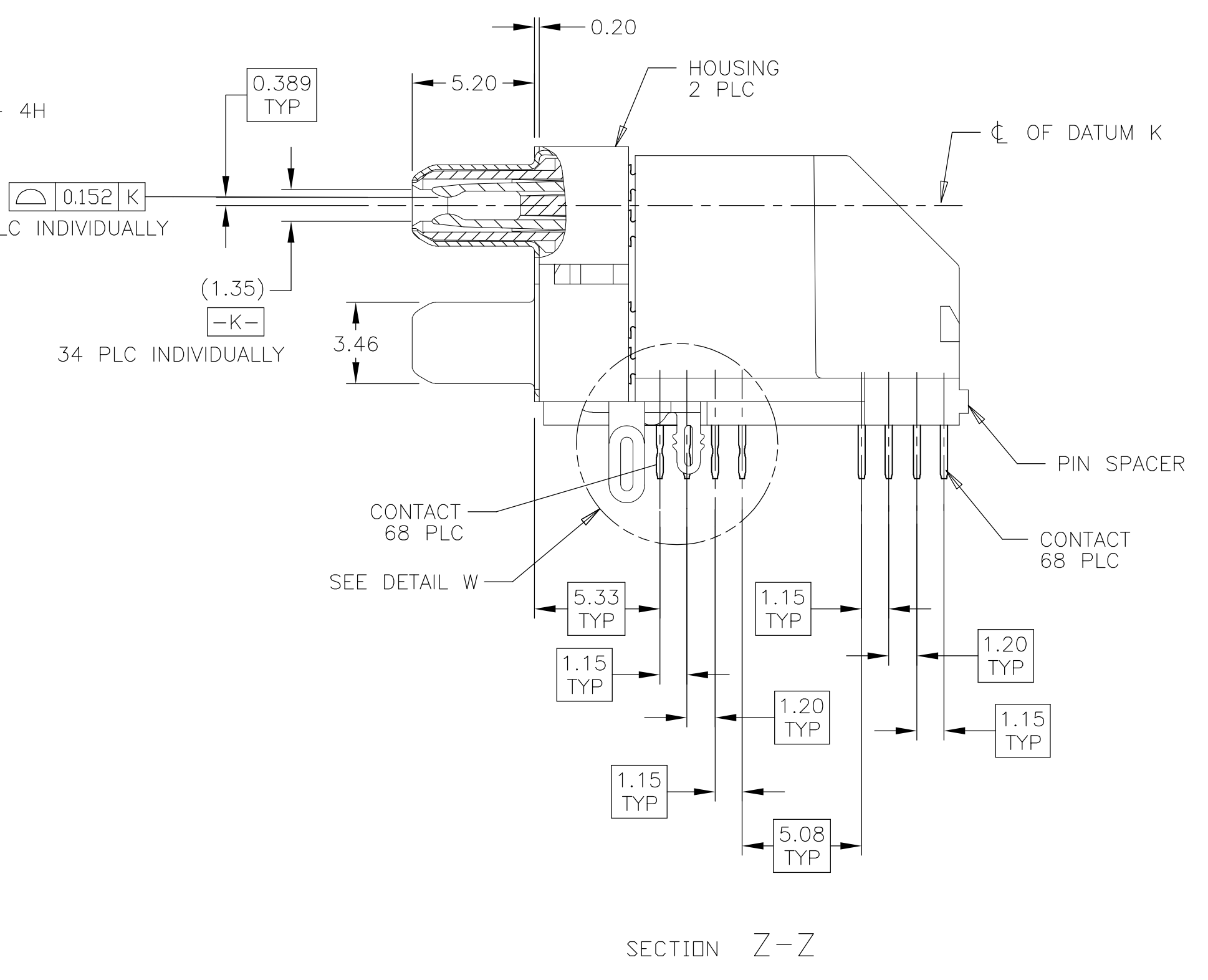
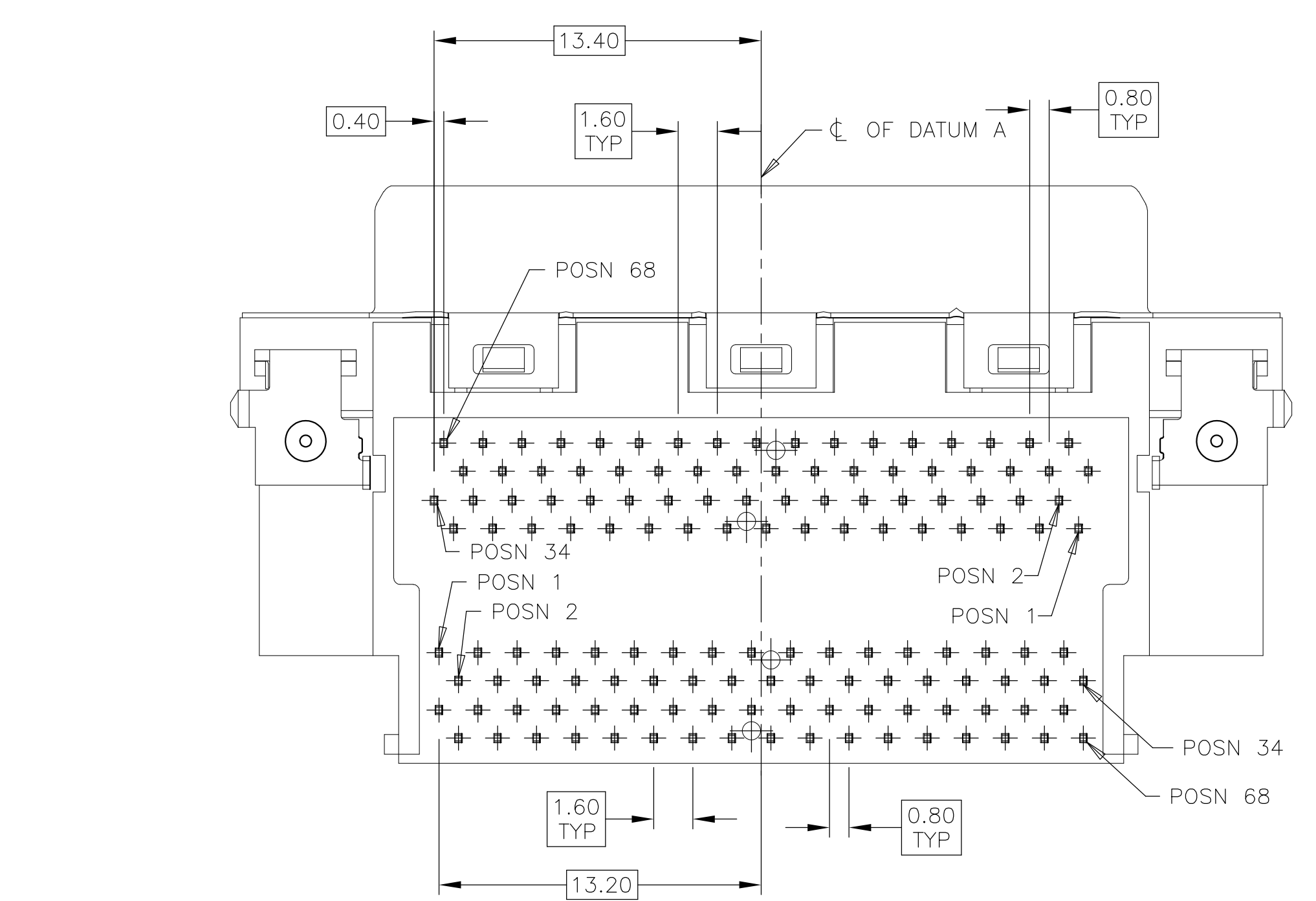
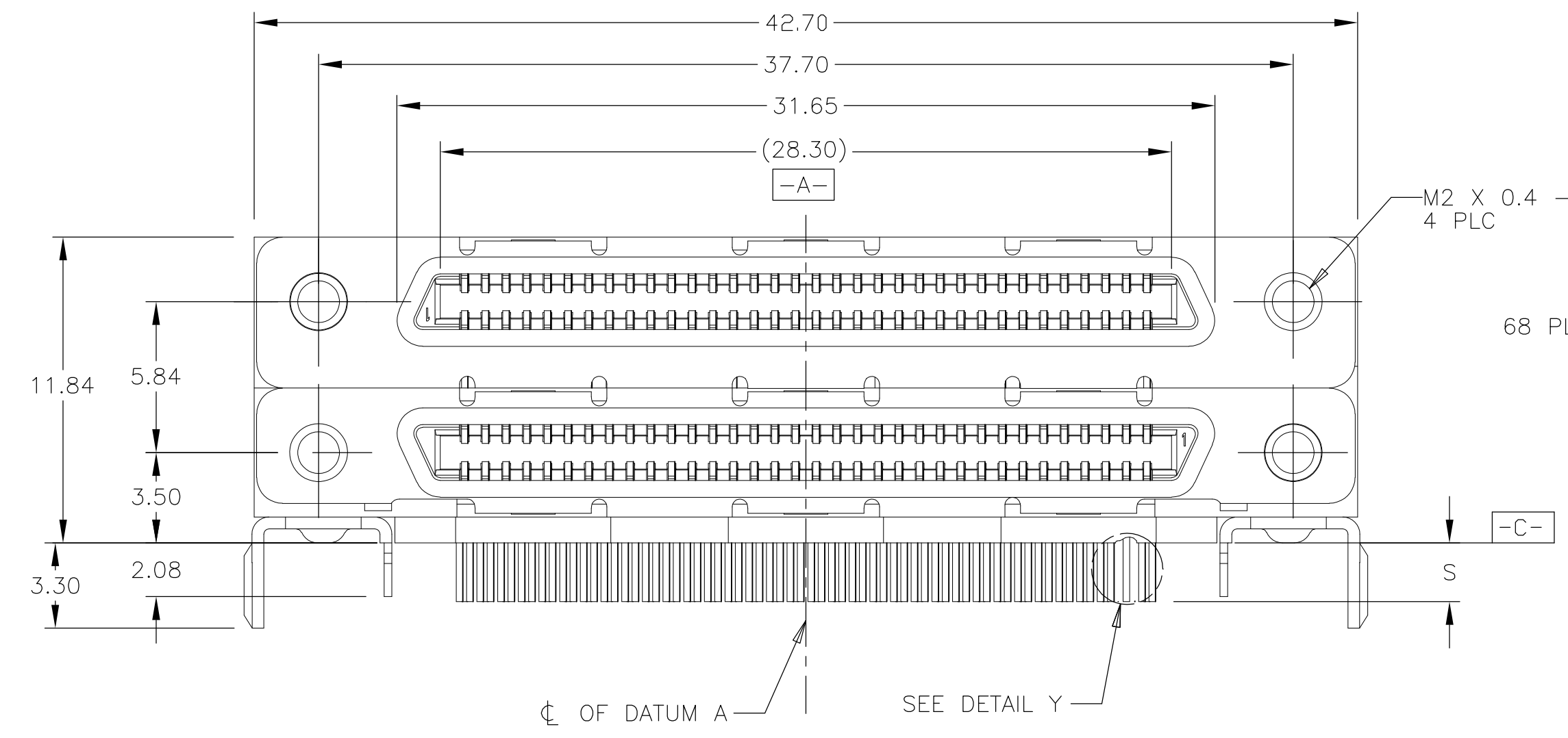
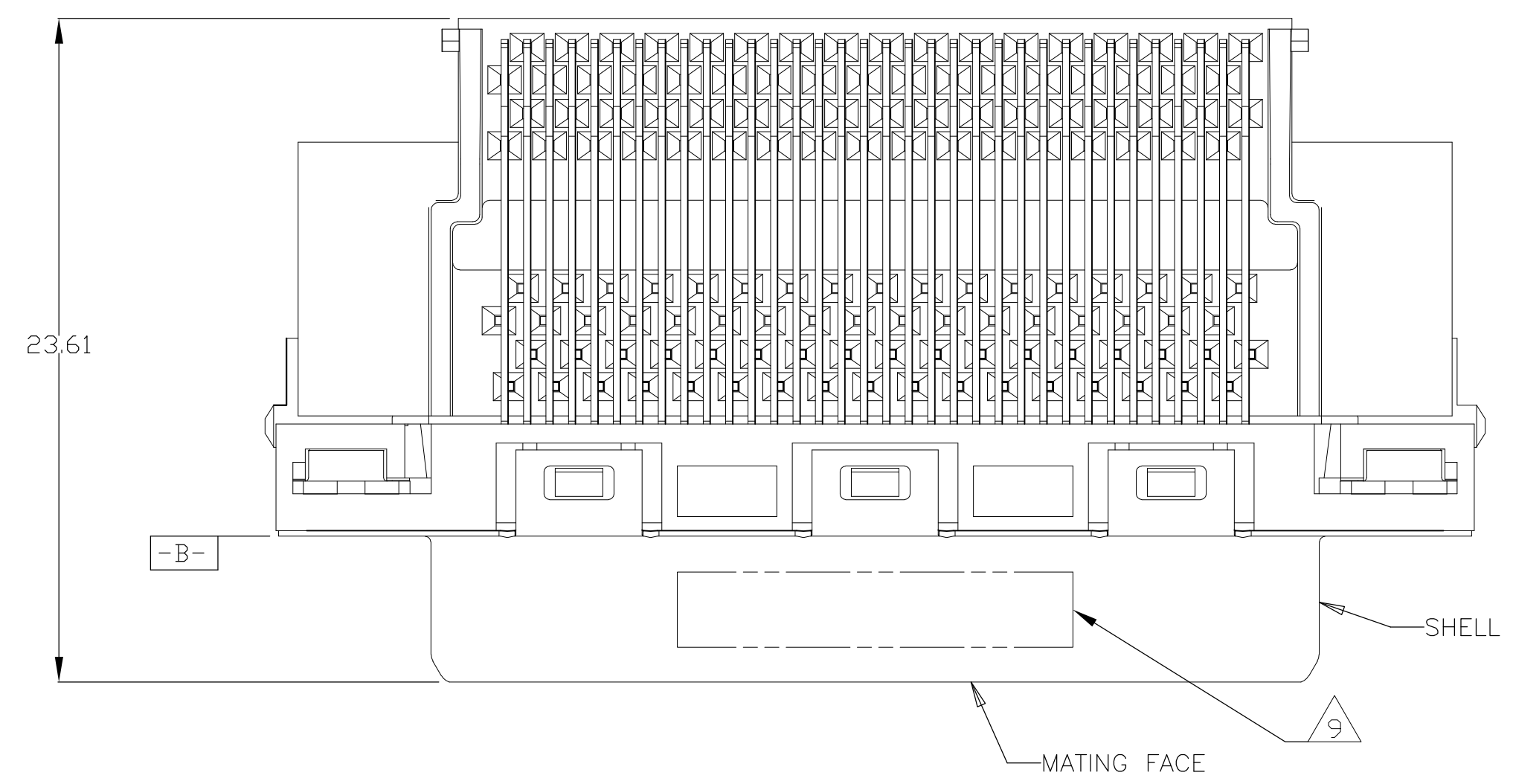
Tel: +86-755-8981 8866 Fax: +86-755-8427 6832

Email & Skype: info@chipsmall.com Web: www.chipsmall.com

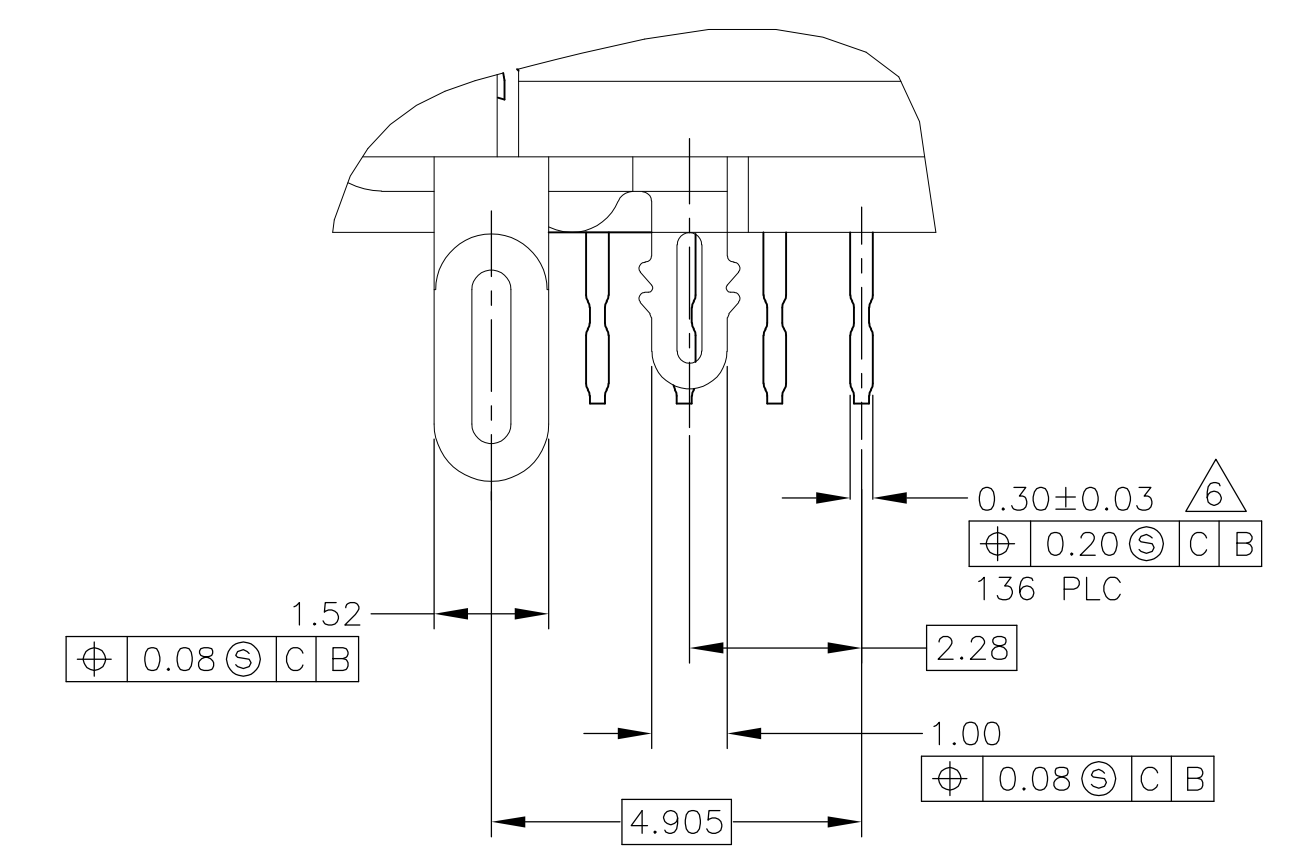
Address: A1208, Overseas Decoration Building, #122 Zhenhua RD., Futian, Shenzhen, China



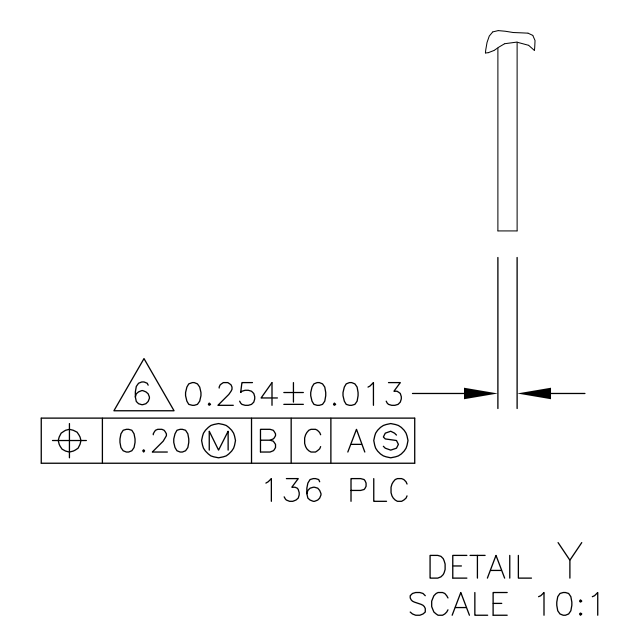
LOC		DIST		REVISIONS			
GP	00	IF	LTR	DESCRIPTION	DATE	DRN	APVD
C				REVISED PER ECO-09-001695	8FEB2009	ZMR	EDB



- ⚠ MOLDED PARTS: THERMOPLASTIC, BLACK, UL 94V-0 RATED.  
SHELL: CARBON STEEL.  
CONTACTS: PHOSPHOR BRONZE.  
BRACKETS: STEEL.
- ⚠ SHELL: 5.08μm MIN NICKEL OVER 2.54μm MIN COPPER.  
CONTACTS: 0.76μm MIN GOLD ON MATING END, 3.75μm MIN TIN ON SOLDER TAILS, BOTH OVER 1.27μm MIN NICKEL OVER ENTIRE CONTACT.  
BRACKETS: TIN PLATED.
- 3. CONTACTS DESIGNED FOR USE ON 1.60±0.15 THICK PC BOARD WITH PLATED THRU MOUNTING HOLES.
- 4. RECEPTACLE ASSEMBLY DESIGNED FOR USE WITH 1.12±0.08 THICK PANEL.
- ⚠ DATUMS AND DIMENSIONS ESTABLISHED BY CUSTOMER.
- ⚠ POSITION TOLERANCE APPLIES AT CONTACT TIP ONLY.
- ⚠ OFFSET DIMENSION APPLIES TO LOWER FOOTPRINT ONLY.
- ⚠ CONTACTS DESIGNED FOR USE ON 2.35±0.15 THICK PC BOARD WITH PLATED THRU MOUNTING HOLES.
- ⚠ DATE CODE MARKED IN APPROXIMATE AREA SHOWN.



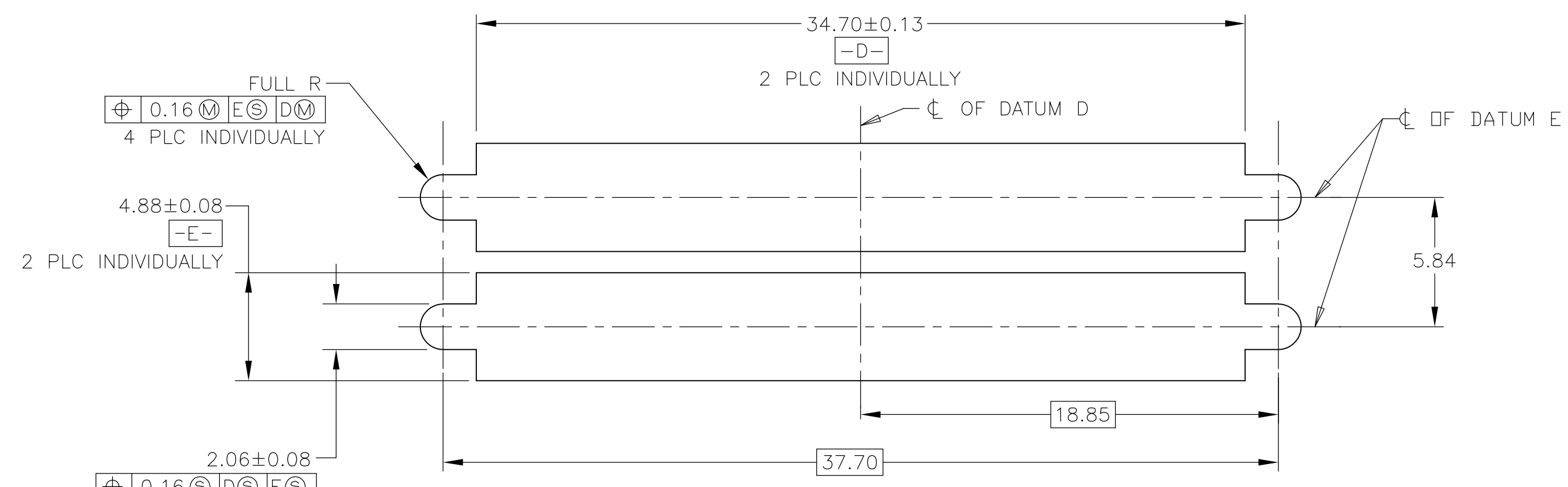
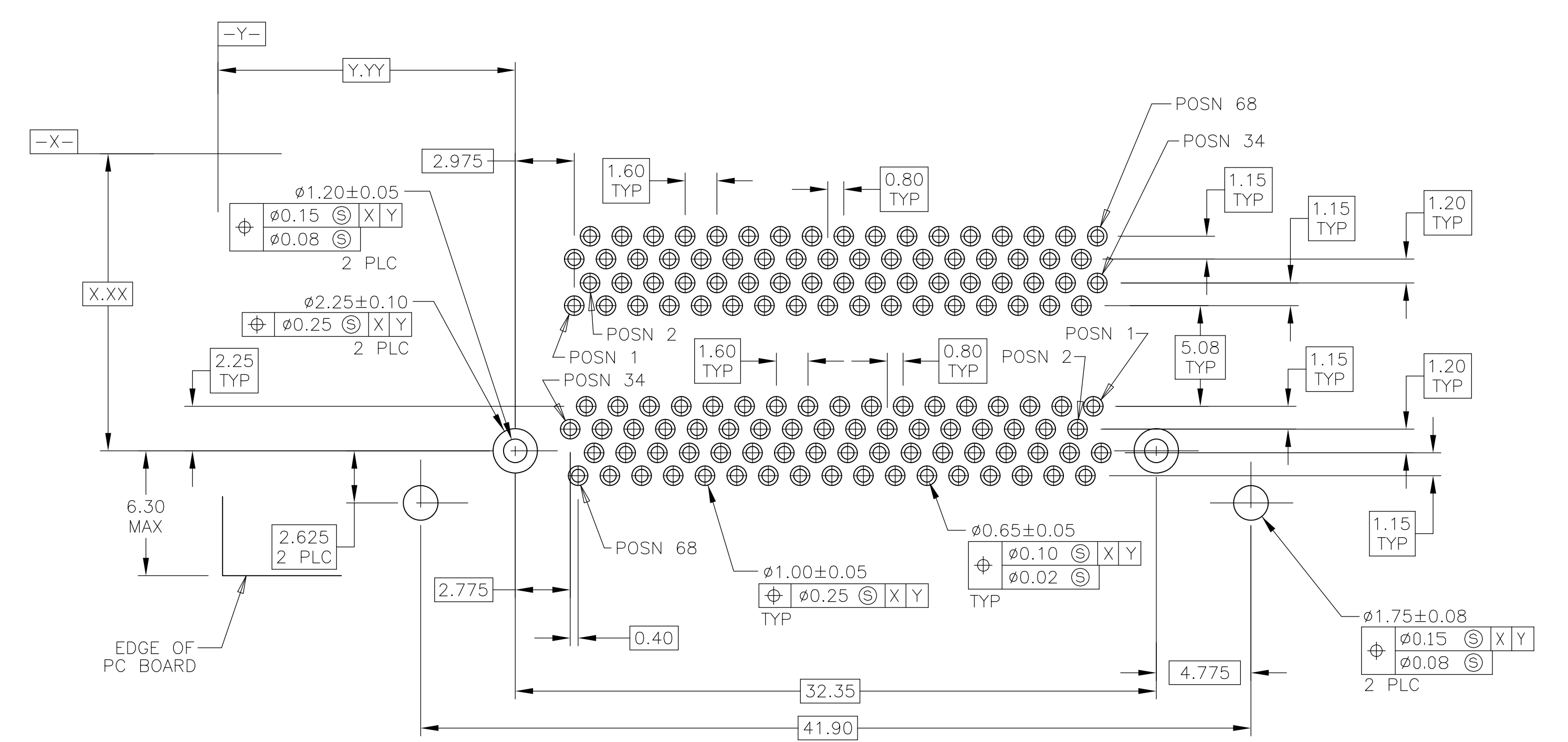
DETAIL W  
SCALE 10:1



DETAIL Y  
SCALE 10:1

REMARKS	3.55	5787962-2
	2.27	5787962-1
	S	PART NUMBER

THIS DRAWING IS A CONTROLLED DOCUMENT.		DWN J.GERACE 24JAN05	Tyco Electronics Corporation Harrisburg, PA 17105-3608	
DIMENSIONS: mm		CHK S.SHUEY 24JAN05	NAME M.WALMSLEY 24JAN05	
TOLERANCES UNLESS OTHERWISE SPECIFIED:		PRODUCT SPEC 108-1471-1		
0 PLC ± -		APPLICATION SPEC 114-6057		
1 PLC ± -		SIZE A1	CAGE CODE 00779	DRAWING NO. 5787962
2 PLC ± 0.13		RESTRICTED TO		
3 PLC ± -		CUSTOMER DRAWING		
4 PLC ± -		SCALE 5:1		
ANGLES ± 1°		SHEET 1 OF 2		
FINISH		REV C		



THIS DRAWING IS A CONTROLLED DOCUMENT.		DWN J.GERACE 24JAN05	 Tyco Electronics Corporation Harrisburg, PA 17105-3608
		CHK S.SHUEY 24JAN05	
DIMENSIONS: mm 		TOLERANCES UNLESS OTHERWISE SPECIFIED: 0 PLC ± - 1 PLC ± - 2 PLC ± 0.13 3 PLC ± - 4 PLC ± - ANGLES ± 1° FINISH -	NAME M.WALMSLEY 24JAN05 PRODUCT SPEC 108-1471-1 APPLICATION SPEC 114-6057 WEIGHT - CUSTOMER DRAWING
			RECEPTACLE ASSEMBLY, RIGHT ANGLE, 68 POS, STACKED, CHAMP 0.8mm SIZE CAGE CODE DRAWING NO RESTRICTED TO A1 00779 C=5787962 - SCALE 5:1 SHEET 2 OF 2 REV C