



Chipsmall Limited consists of a professional team with an average of over 10 year of expertise in the distribution of electronic components. Based in Hongkong, we have already established firm and mutual-benefit business relationships with customers from,Europe,America and south Asia,supplying obsolete and hard-to-find components to meet their specific needs.

With the principle of "Quality Parts,Customers Priority,Honest Operation,and Considerate Service",our business mainly focus on the distribution of electronic components. Line cards we deal with include Microchip,ALPS,ROHM,Xilinx,Pulse,ON,Everlight and Freescale. Main products comprise IC,Modules,Potentiometer,IC Socket,Relay,Connector.Our parts cover such applications as commercial,industrial, and automotives areas.

We are looking forward to setting up business relationship with you and hope to provide you with the best service and solution. Let us make a better world for our industry!



Contact us

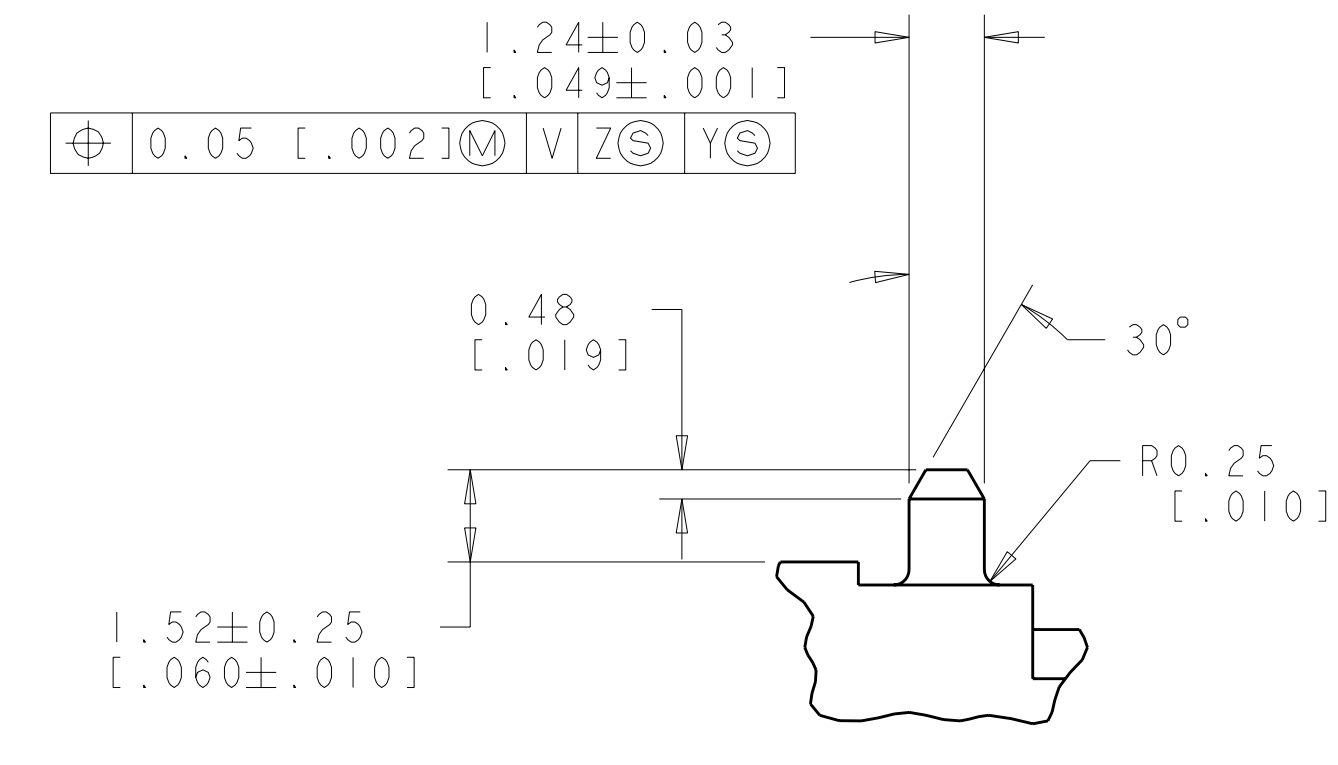
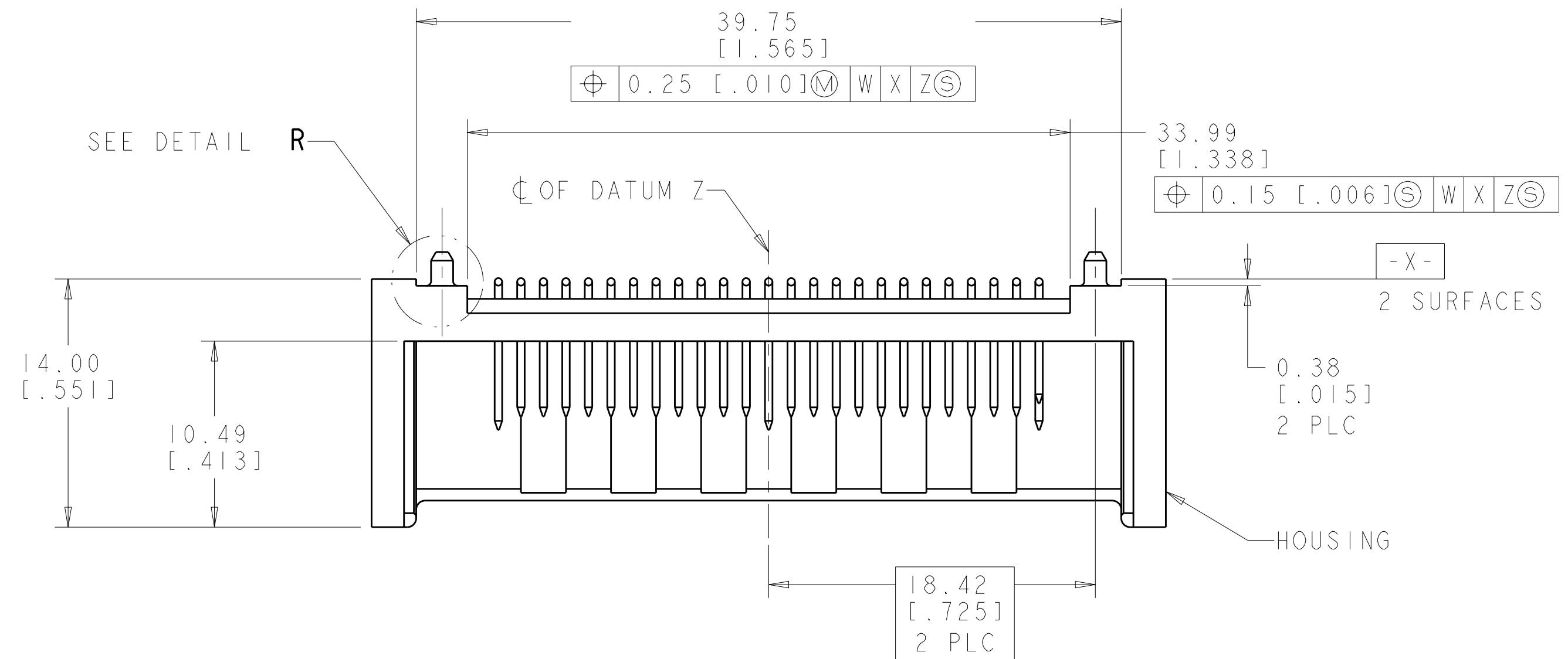
Tel: +86-755-8981 8866 Fax: +86-755-8427 6832

Email & Skype: info@chipsmall.com Web: www.chipsmall.com

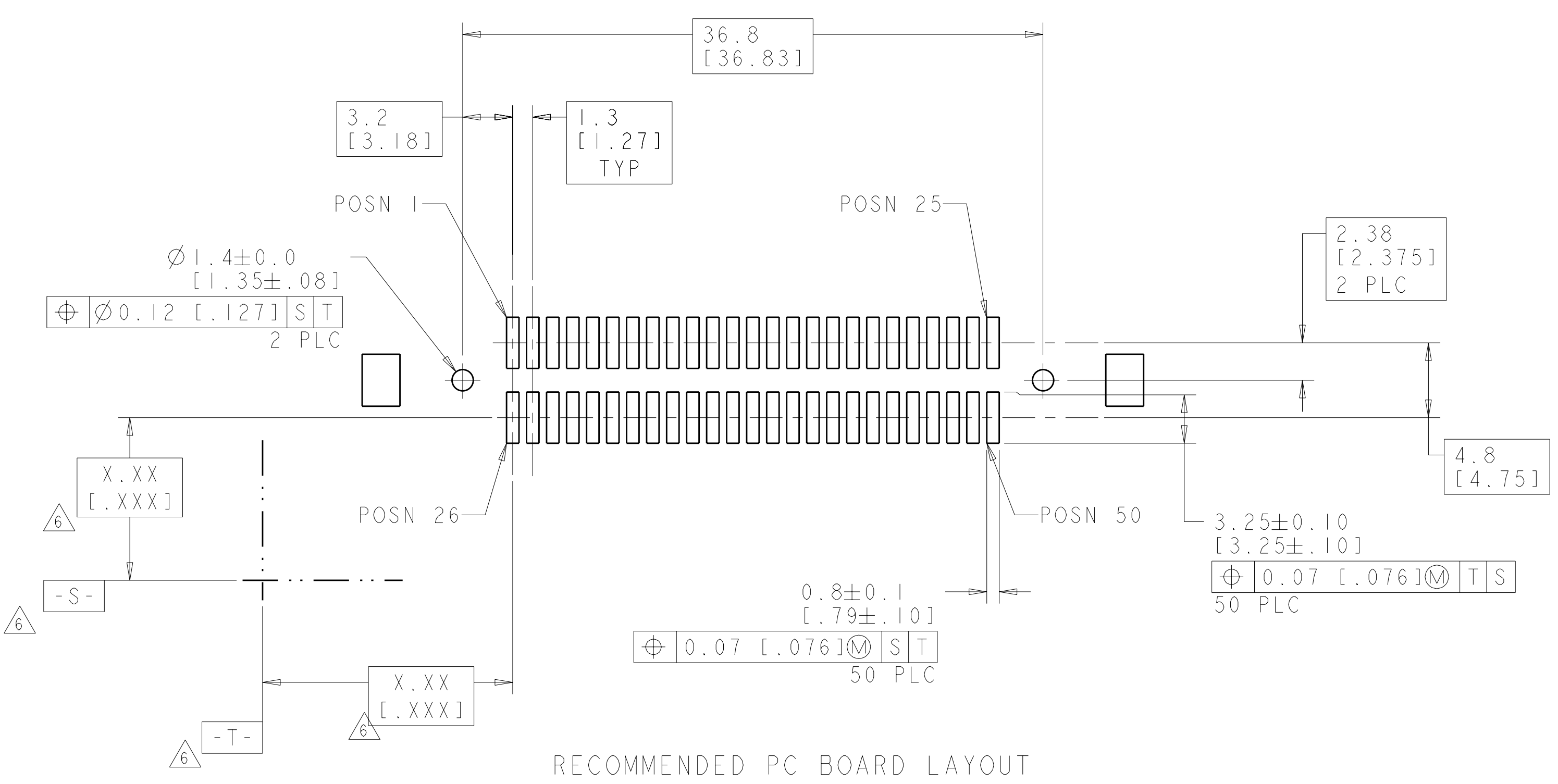
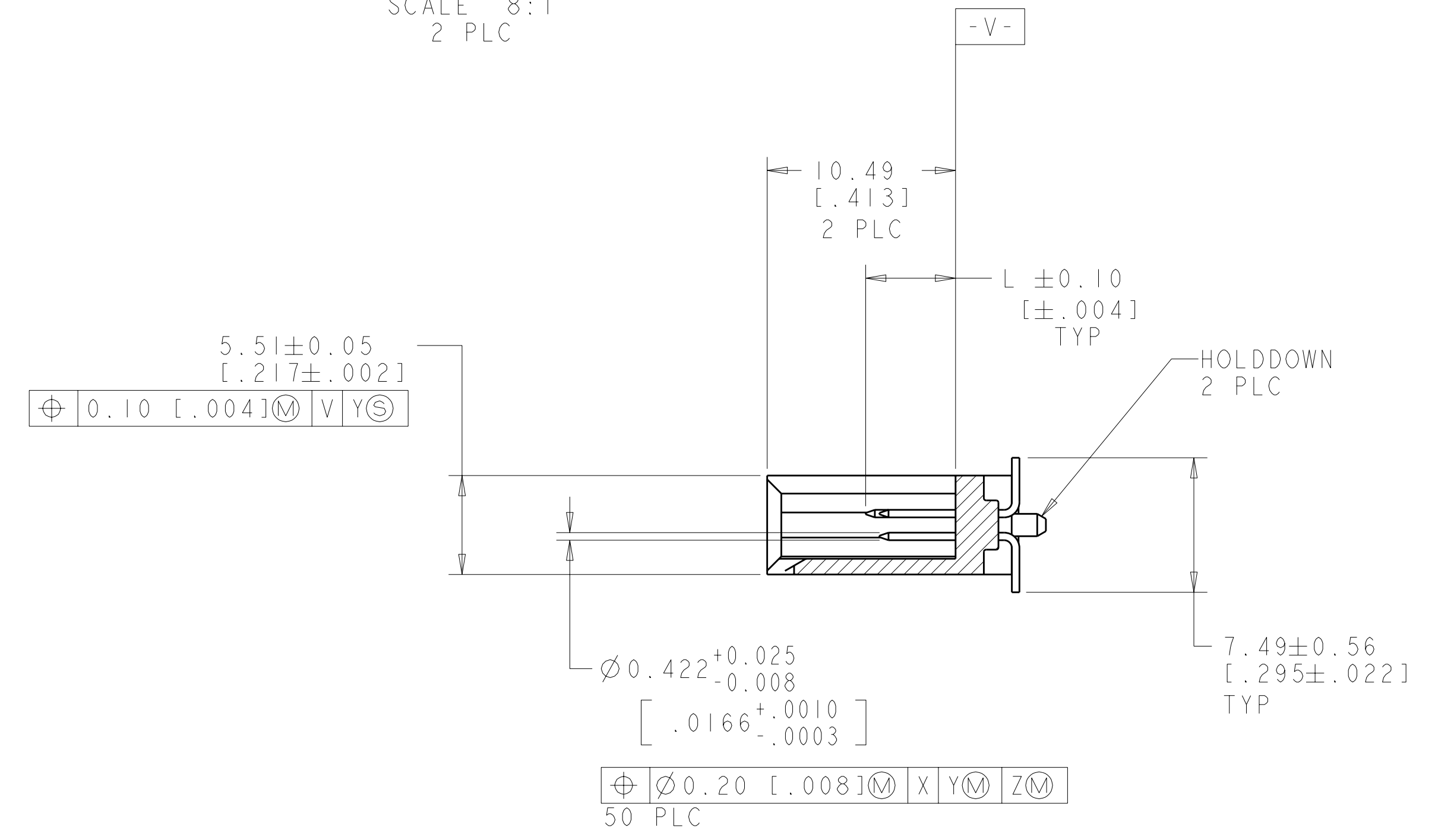
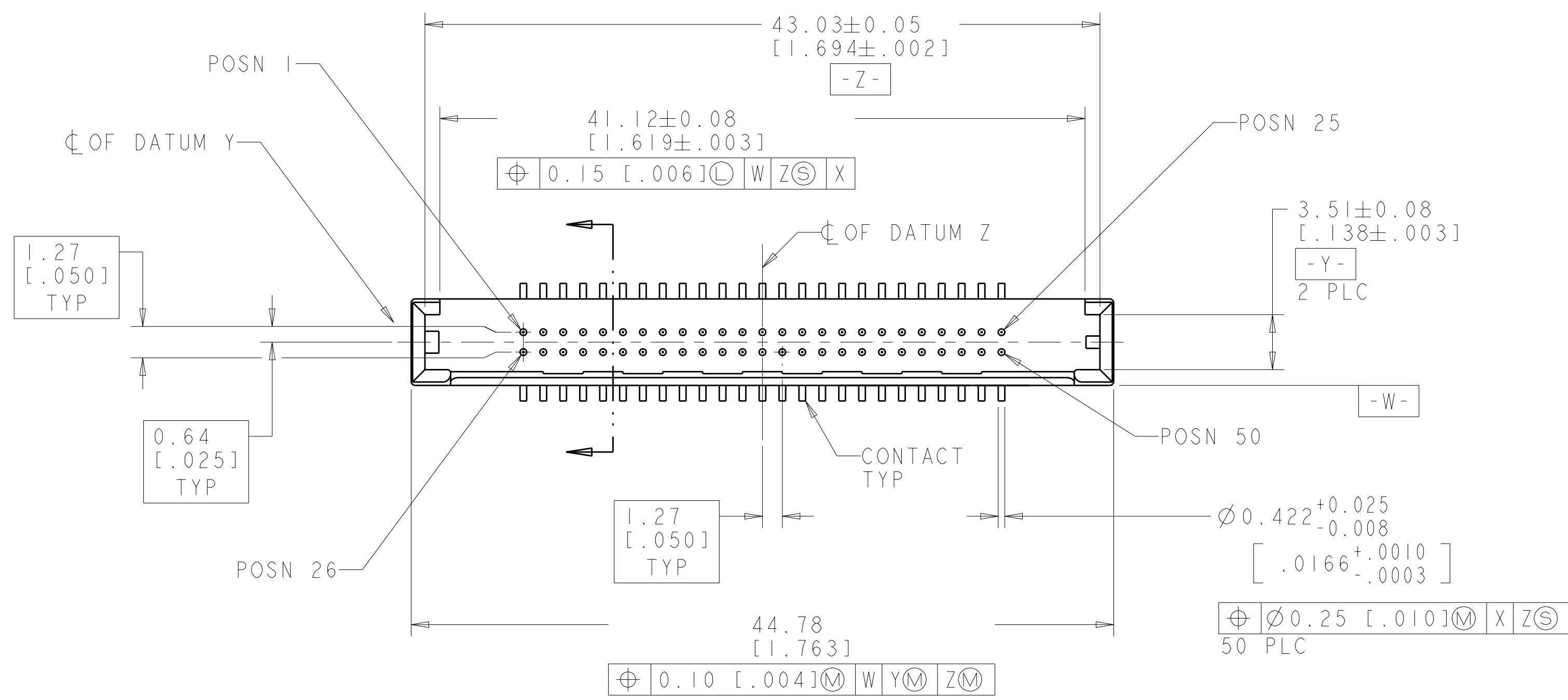
Address: A1208, Overseas Decoration Building, #122 Zhenhua RD., Futian, Shenzhen, China



LOC	DIST	REV	DATE	BY	APPD
GP	00	A	17JUL2009	CR	DG
		A1	30JUN2010	CJV	DLG



DETAIL R
SCALE 8:1
2 PLC



RECOMMENDED PC BOARD LAYOUT

- 1 HOUSING: POLYESTER LCP, BLACK. CONTACTS: BRASS.
- 2 CONTACTS: 0.76µm[.000030] MIN GOLD FOR A LENGTH OF 3.51[.138] MIN IN CONTACT AREA, 3.81µm[.000150] MIN TIN FOR A LENGTH OF 2.0[.079] MIN ON SOLDER TAILS, ALL OVER 1.27µm[.000050] MIN NICKEL.
- 3 DIMENSION APPLIES TO POSITIONS 25 AND 26.
- 4 DIMENSION APPLIES TO POSITIONS 2 THRU 12, 14 THRU 24, 27 THRU 37 AND 39 THRU 49.
- 5 DIMENSION APPLIES TO POSITIONS 1, 13, 38 AND 50.
- 6 DATUMS AND BASIC DIMENSIONS ESTABLISHED BY CUSTOMER.

5.00 [.197] 5	4.24 [.167] 4	3.51 [.138] 3	5788643-1
L			PART NUMBER
DWN G. PETERS 25NOV05 CHK D. GORENC 25NOV05 APVD M. WALMSLEY 25NOV05		Tyco Electronics Harrisburg, PA 17105-3608	
DIMENSIONS: mm [INCHES] TOLERANCES UNLESS OTHERWISE SPECIFIED: 9 PLC ± 1 PLC ±.013 [1.005] 5 PLC ± 4 PLC ± ANGLES ± FINISH 2		NAME: PIN HEADER ASSEMBLY, VERTICAL, 50 POSITION, SURFACE MOUNT, CompactFlash PRODUCT SPEC: 108-1469 APPLICATION SPEC: SIZE: CAGE CODE DRAWING NO: A100779 C=5788643 RESTRICTED TO:	
MATERIAL 1		WEIGHT -	
CUSTOMER DRAWING		SCALE 4:1 SHEET 1 OF 1 REV A1	