



Chipsmall Limited consists of a professional team with an average of over 10 year of expertise in the distribution of electronic components. Based in Hongkong, we have already established firm and mutual-benefit business relationships with customers from,Europe,America and south Asia,supplying obsolete and hard-to-find components to meet their specific needs.

With the principle of “Quality Parts,Customers Priority,Honest Operation,and Considerate Service”,our business mainly focus on the distribution of electronic components. Line cards we deal with include Microchip,ALPS,ROHM,Xilinx,Pulse,ON,Everlight and Freescale. Main products comprise IC,Modules,Potentiometer,IC Socket,Relay,Connector.Our parts cover such applications as commercial,industrial, and automotives areas.

We are looking forward to setting up business relationship with you and hope to provide you with the best service and solution. Let us make a better world for our industry!



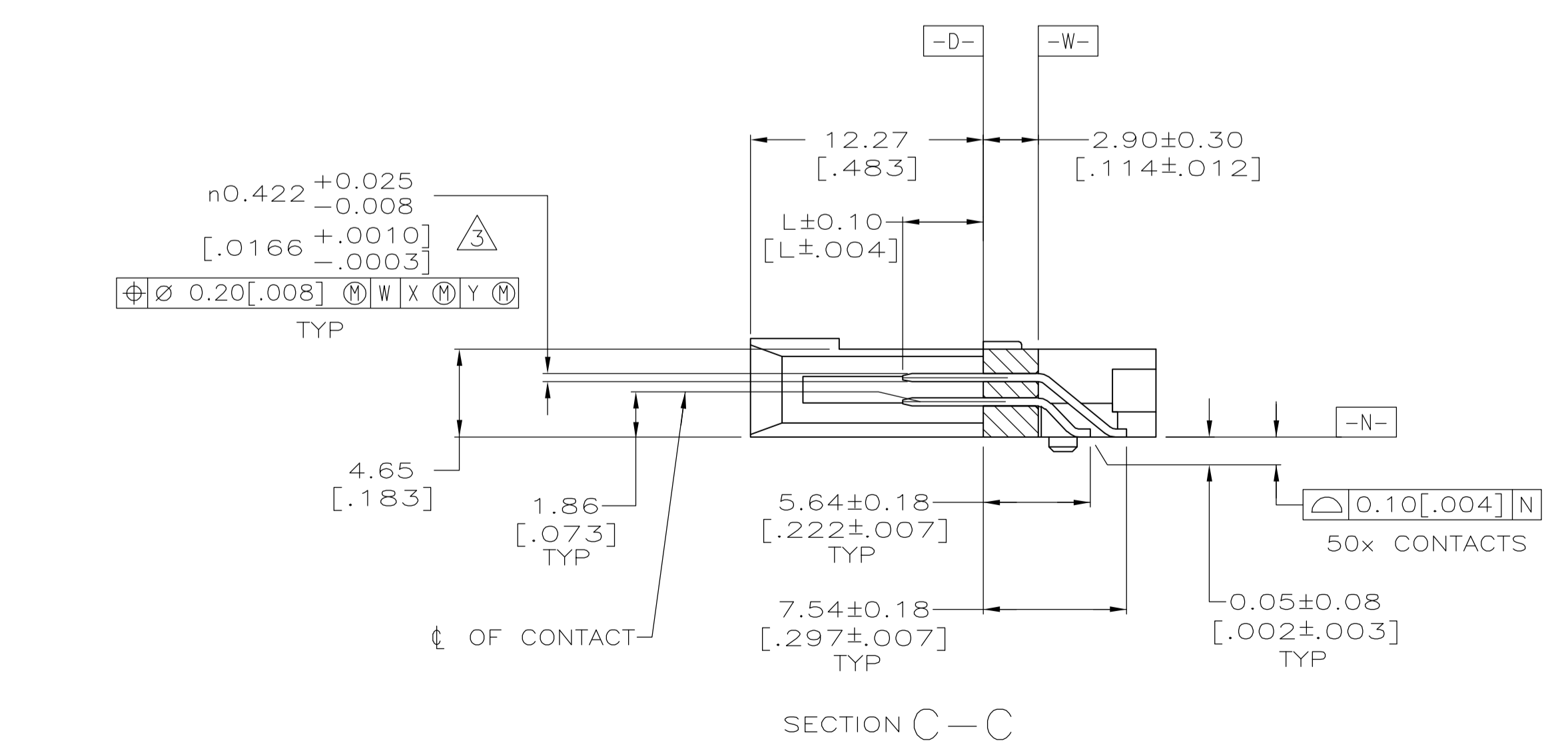
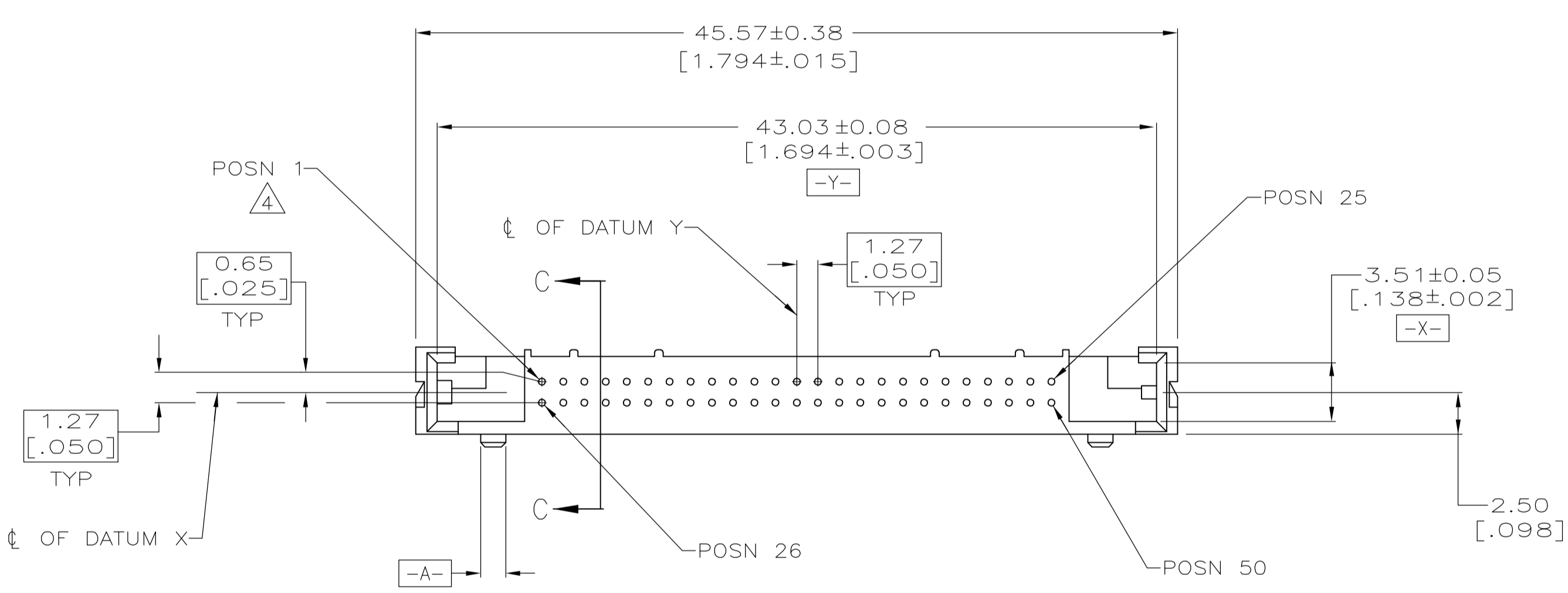
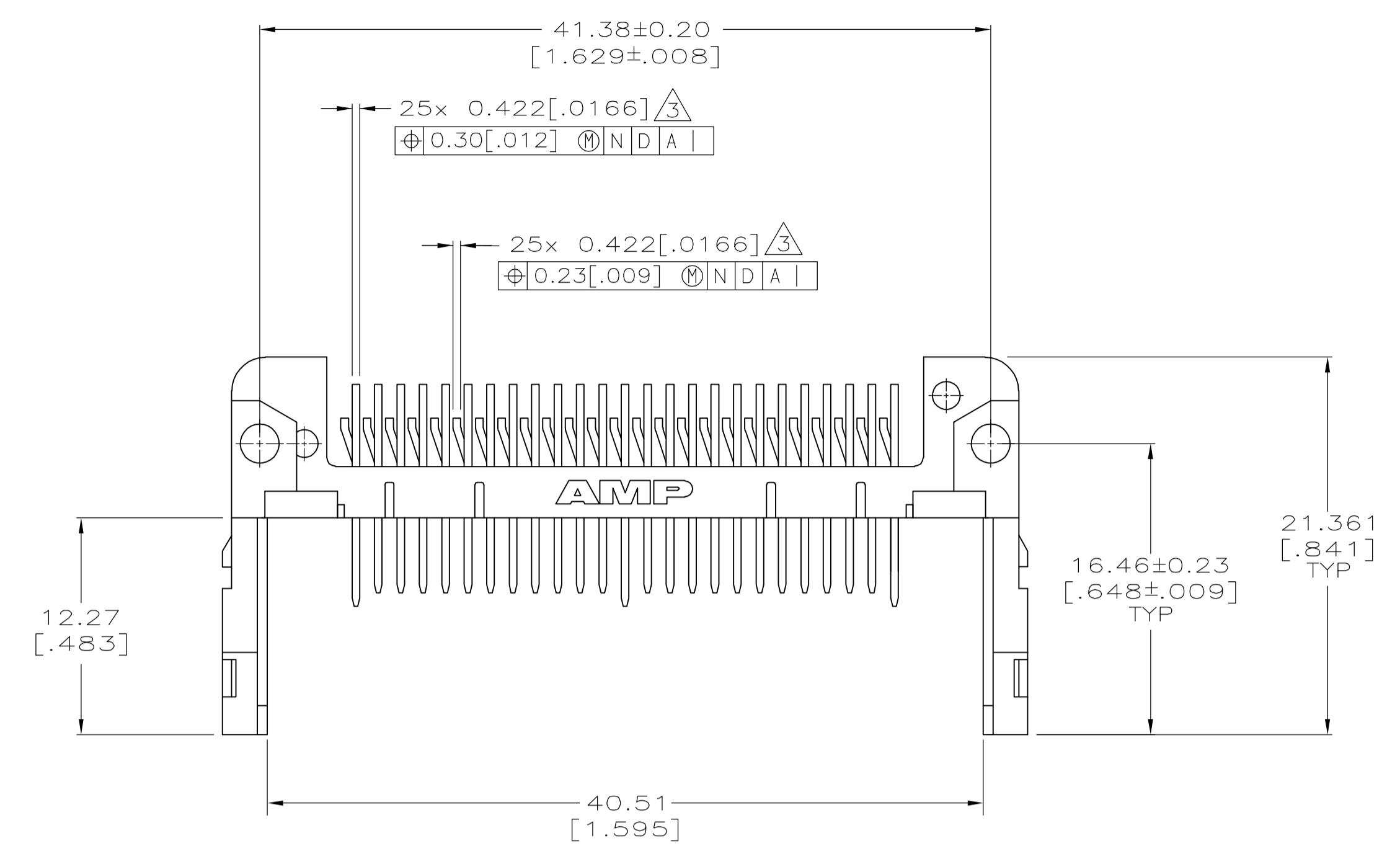
Contact us

Tel: +86-755-8981 8866 Fax: +86-755-8427 6832

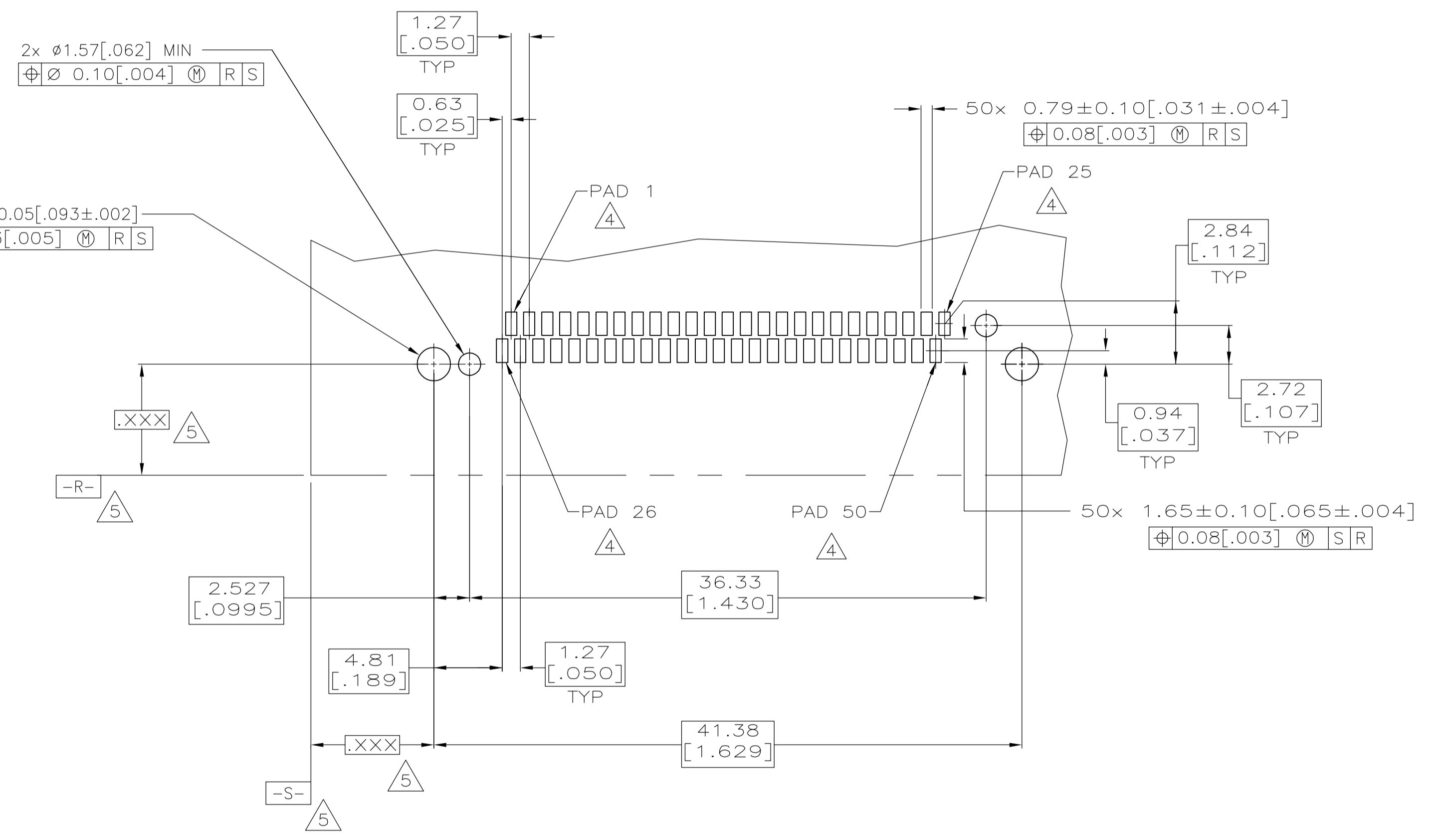
Email & Skype: info@chipsmall.com Web: www.chipsmall.com

Address: A1208, Overseas Decoration Building, #122 Zhenhua RD., Futian, Shenzhen, China





- 1 HOUSING: POLYESTER LIQUID CRYSTAL, BLACK
CONTACTS: BRASS.
- 2 CONTACTS: 0.76 μm [0.00030] MIN GOLD FOR A LENGTH OF 3.50 [0.138] MIN FROM MATING END, 3.81 μm [0.00150] MIN TIN ON SOLDER TAILS, ALL OVER 1.27 μm [0.00050] MIN NICKEL.
- 3 POSITION TOLERANCE APPLIES AT CONTACT TIP.
- 4 POSITION NUMBERS SHOWN FOR REFERENCE ONLY.
- 5 DATUMS AND BASIC DIMENSIONS ESTABLISHED BY CUSTOMER.
- 6. CUSTOMER TO PROVIDE CARD GUIDANCE SYSTEM.
- 7. CONNECTOR REQUIRES USE OF 2 - SIZE 2M SCREWS FOR FASTENING TO PRINTED CIRCUIT BOARD.



1, 13, 38, 50	ALL OTHER PINS	25, 26	5788667-1
5.00 [0.197]	4.25 [0.167]	3.50 [0.138]	PART NUMBER
"L" (PIN LENGTH) AND LOCATION			

THIS DRAWING IS A CONTROLLED DOCUMENT.		DIN G. PETES 25NOV05		Tyco Electronics Corporation	
DIMENSIONS: mm [INCHES]		CHK D. GORENC 25NOV05		Harrisburg, PA 17105-3608	
TOLERANCES UNLESS OTHERWISE SPECIFIED:		APP'D M. WALMSLEY 25NOV05		NAME	
0 PLC	± -	PRODUCT SPEC		PIN HEADER ASSEMBLY, 50 POSN, SMT, TOP MOUNT,	
1 PLC	± -	APPLICATION SPEC		-	
2 PLC	± 0.13 [0.005]	SIZE		CAGE CODE	
3 PLC	± -	DRAWING NO		RESTRICTED TO	
4 PLC	± -	WEIGHT		-	
ANGLES	± -	A1 00779 C=5788667		SCALE	
MATERIAL	1	CUSTOMER DRAWING		SHEET 1 OF 1	
FINISH	2	SCALE 4:1		REV 0	