



Chipsmall Limited consists of a professional team with an average of over 10 year of expertise in the distribution of electronic components. Based in Hongkong, we have already established firm and mutual-benefit business relationships with customers from,Europe,America and south Asia,supplying obsolete and hard-to-find components to meet their specific needs.

With the principle of “Quality Parts,Customers Priority,Honest Operation,and Considerate Service”,our business mainly focus on the distribution of electronic components. Line cards we deal with include Microchip,ALPS,ROHM,Xilinx,Pulse,ON,Everlight and Freescale. Main products comprise IC,Modules,Potentiometer,IC Socket,Relay,Connector.Our parts cover such applications as commercial,industrial, and automotives areas.

We are looking forward to setting up business relationship with you and hope to provide you with the best service and solution. Let us make a better world for our industry!



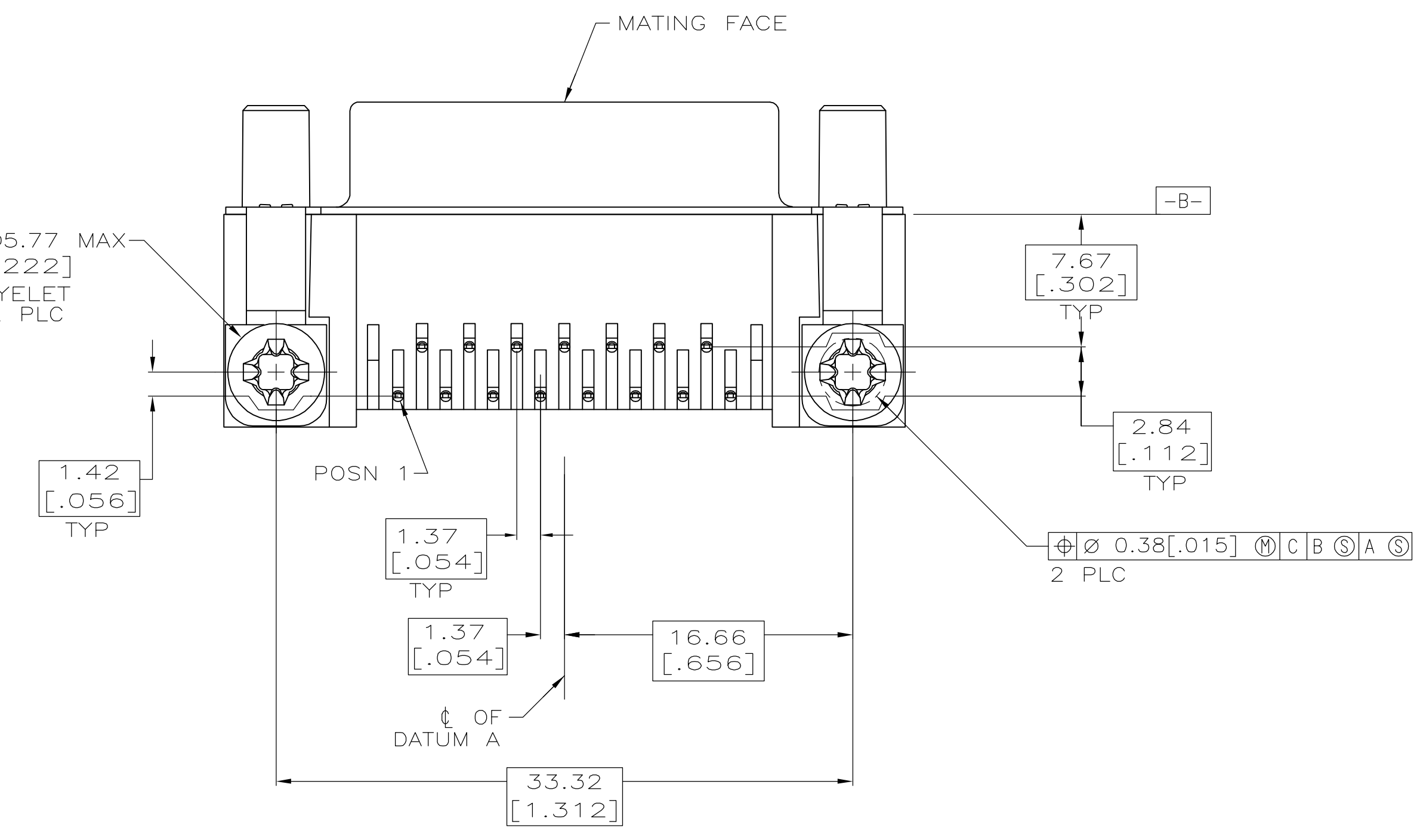
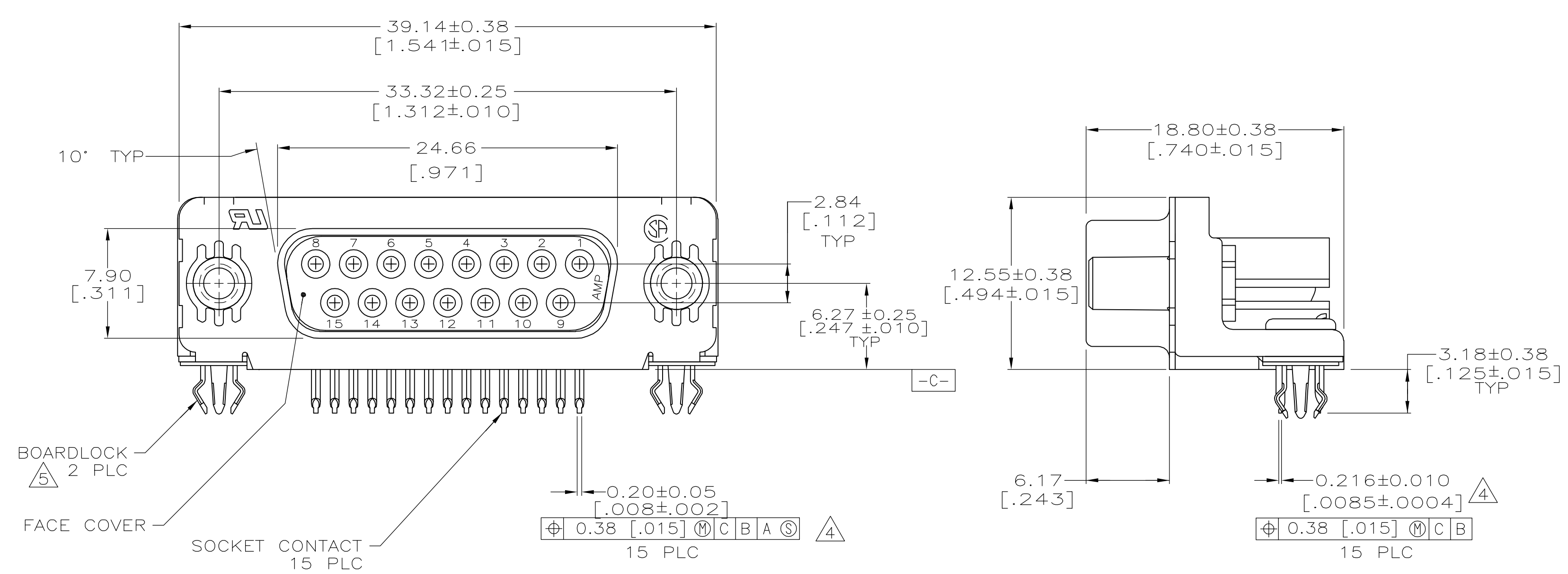
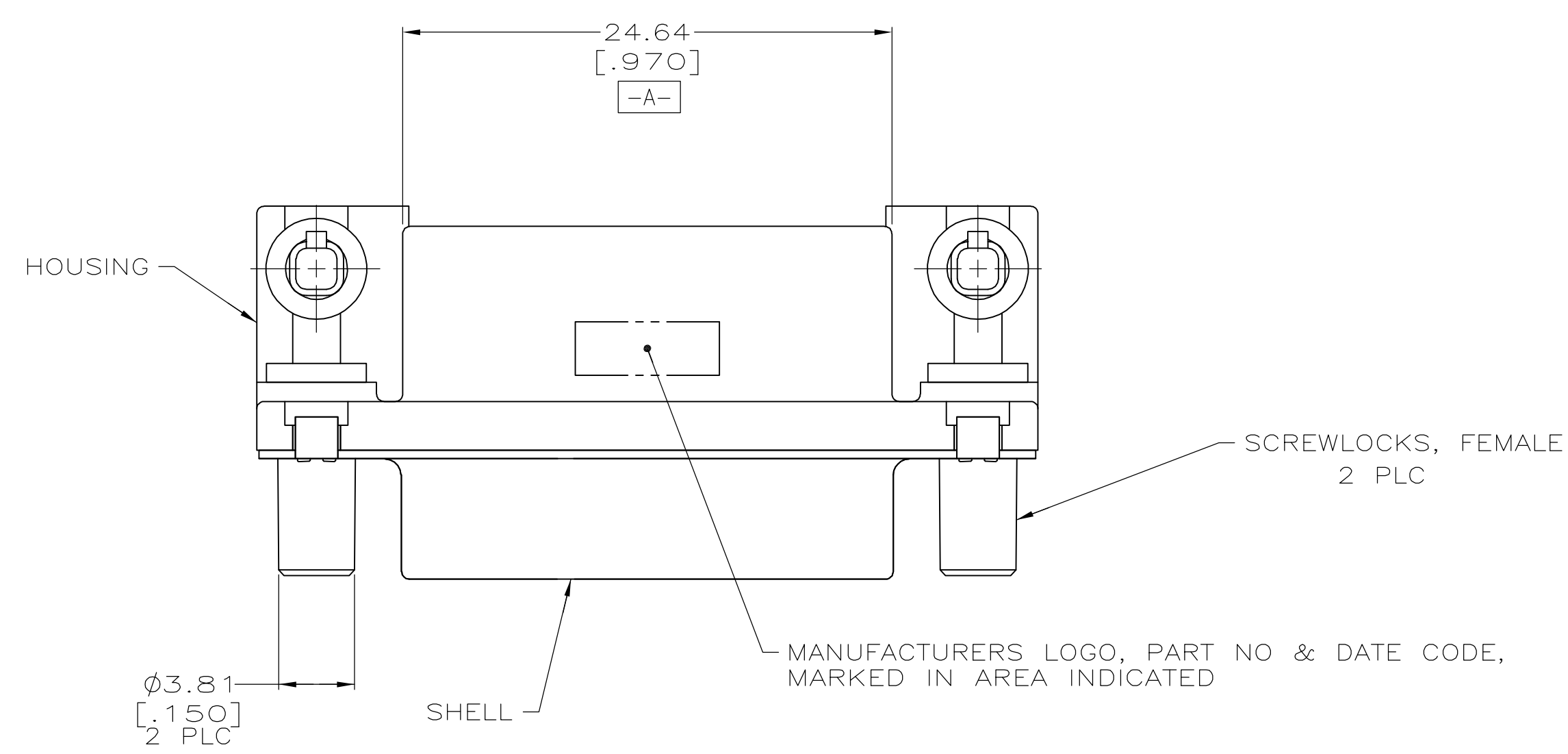
## Contact us

Tel: +86-755-8981 8866 Fax: +86-755-8427 6832

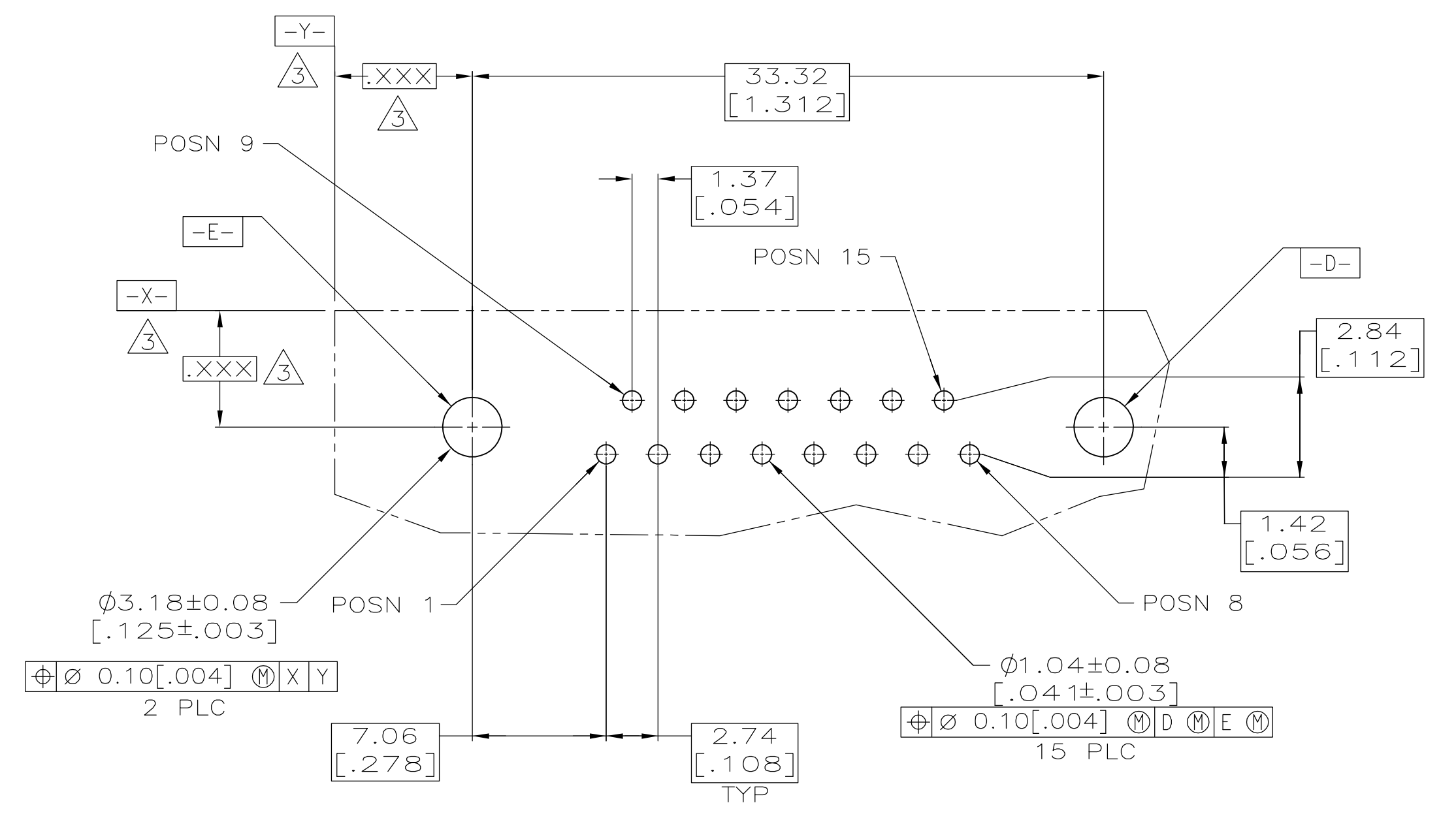
Email & Skype: info@chipsmall.com Web: www.chipsmall.com

Address: A1208, Overseas Decoration Building, #122 Zhenhua RD., Futian, Shenzhen, China





- △ HOUSING & FACE COVER: NYLON, THERMOPLASTIC, UL 94VO RATED, BLACK; SHELL: CARBON STEEL; SOCKET CONTACTS: PHOSPHOR BRONZE; EYELETS: BRASS; SCREWLOCKS: ZINC; BOARDLOCKS: COPPER ALLOY.
- △ SOCKET CONTACTS: GOLD PLATED FOR A LENGTH OF 1.27 [.050] MIN FROM MATING END, 0.76µm [.000030] MIN GOLD IN MATED AREA, 2.54µm [.000100] MIN TIN FOR A LENGTH OF 3.56 [.140] MIN FROM OPPOSITE END, BOTH OVER 1.27µm [.000050] MIN NICKEL. EYELETS: 2.54µm [.000100] MIN TIN OVER COPPER FLASH. SHELL: 2.54µm [.000100] MIN TIN OVER 1.27µm [.000050] MIN COPPER. SCREWLOCKS: CLEAR CHROMATE. BOARDLOCKS: 3.81µm [.000150] MIN TIN OVER 1.27µm [.000050] MIN NICKEL.
- △ DATUMS AND BASIC DIMENSIONS ESTABLISHED BY CUSTOMER.
- △ POSITION TOLERANCE APPLIES AT CONTACT TIP.
- △ BOARDLOCKS WILL ACCEPT .062 MAX PRINTED CIRCUIT BOARD THICKNESS.
- 6. COMPATIBLE WITH SOLDERING APPLICATIONS TO A MAXIMUM OF 225° C FOR A MAXIMUM DURATION OF 90 SECONDS. TEMPERATURE TO BE MEASURED ON CONNECTOR SURFACE.



**COPYRIGHT 2005  
 TYCO ELECTRONICS CORP  
 ALL RIGHTS RESERVED**

THIS DRAWING IS A CONTROLLED DOCUMENT.		DWN J. ALCORTA - DOCK5 04-12-05		Tyco Electronics Corporation Harrisburg, PA 17105-3608			
DIMENSIONS: min [inches]		CHK S. BOLASH 04-12-05		NAME M. WALMSLEY 04-12-05	RCPT ASSEMBLY, SIZE 2, .318 SERIES, WITH FRONT METAL SHELL, HIGH TEMPERATURE, AMPLIMITETE HD-20		
TOLERANCES UNLESS OTHERWISE SPECIFIED:		PRODUCT SPEC	108-40025	SIZE	CAGE CODE	DRAWING NO	RESTRICTED TO
0 PLC	± .005	APPLICATION SPEC	114-40010	A1	00779	C=5788799	—
1 PLC	± .005	WEIGHT	—	CUSTOMER DRAWING		SCALE	4:1
2 PLC	± 0.13 [005]	SHEET 1 OF 1		REV 0			