



Chipsmall Limited consists of a professional team with an average of over 10 year of expertise in the distribution of electronic components. Based in Hongkong, we have already established firm and mutual-benefit business relationships with customers from,Europe,America and south Asia,supplying obsolete and hard-to-find components to meet their specific needs.

With the principle of “Quality Parts,Customers Priority,Honest Operation,and Considerate Service”,our business mainly focus on the distribution of electronic components. Line cards we deal with include Microchip,ALPS,ROHM,Xilinx,Pulse,ON,Everlight and Freescale. Main products comprise IC,Modules,Potentiometer,IC Socket,Relay,Connector.Our parts cover such applications as commercial,industrial, and automotives areas.

We are looking forward to setting up business relationship with you and hope to provide you with the best service and solution. Let us make a better world for our industry!



Contact us

Tel: +86-755-8981 8866 Fax: +86-755-8427 6832

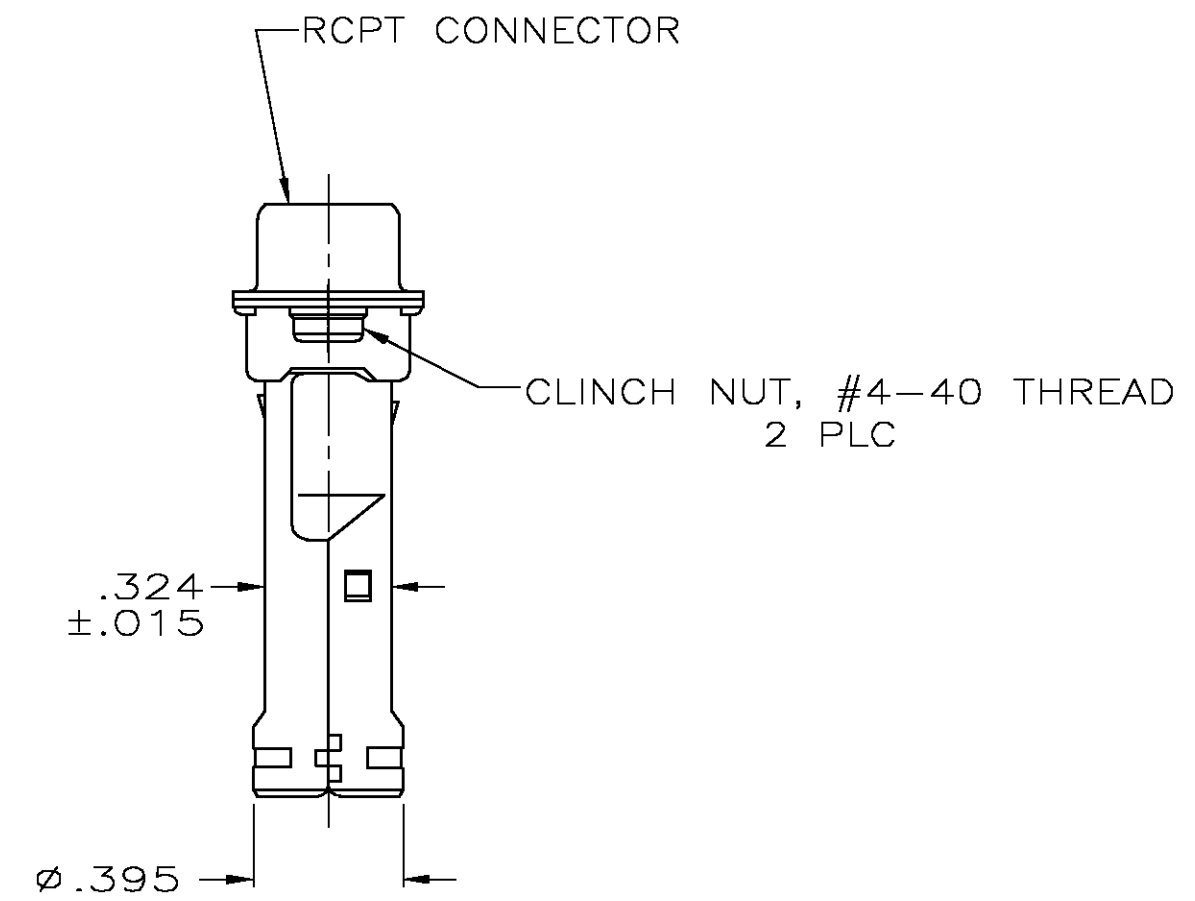
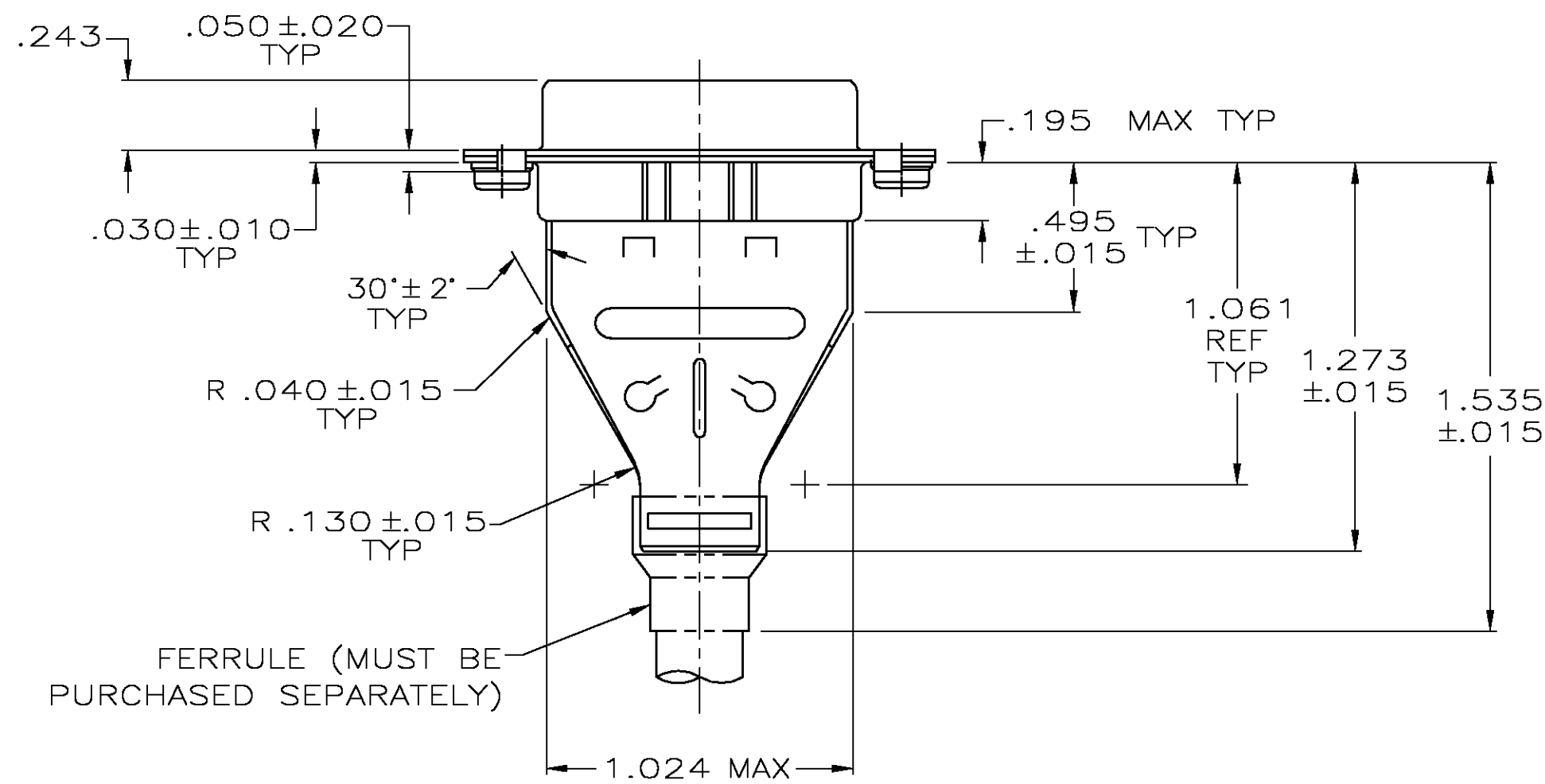
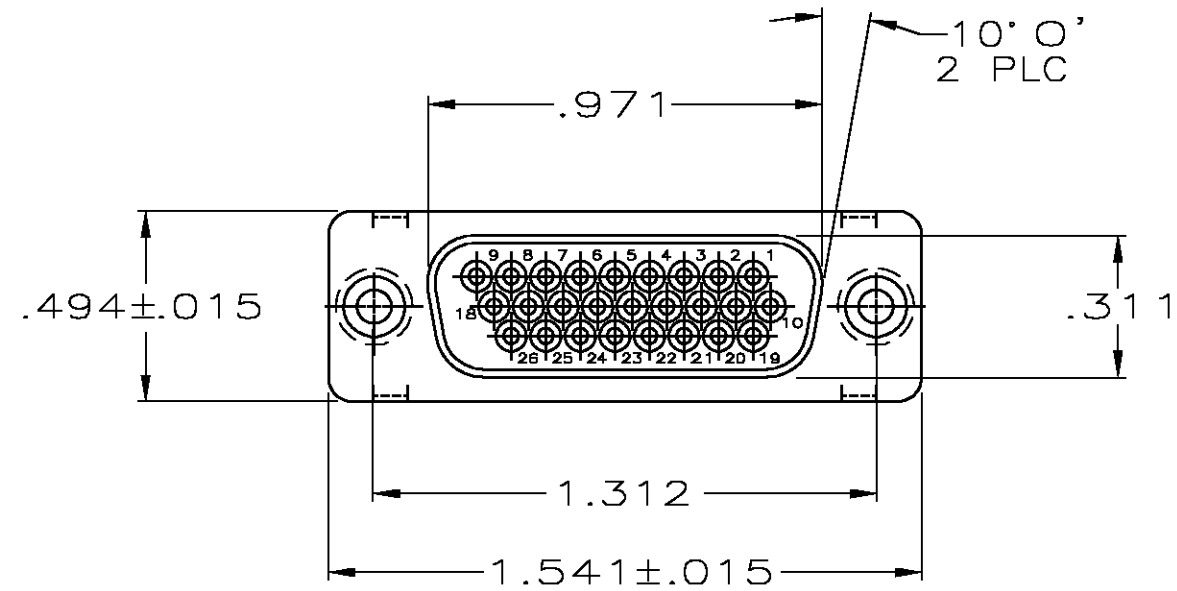
Email & Skype: info@chipsmall.com Web: www.chipsmall.com

Address: A1208, Overseas Decoration Building, #122 Zhenhua RD., Futian, Shenzhen, China



THIS DRAWING IS UNPUBLISHED. RELEASED FOR PUBLICATION
 © COPYRIGHT BY TYCO ELECTRONICS CORPORATION. ALL RIGHTS RESERVED.

LOC		DIST		REVISIONS			
P	LTR	DESCRIPTION		DATE	DWN	APVD	
GP	00	0		RELEASED PER EC 0S13-0257-04	11-12-04	GA	JG



1. RCPT ACCEPTS SIZE 22 DF SOCKET CONTACTS (CONTACTS MUST BE ORDERED SEPARATELY).

2. ALL PARTS SHIPPED UNASSEMBLED, EACH PART INDIVIDUALLY BULK PACKED.

③ HOUSING: FLAME RETARDANT 94V-0 RATED, GLASS FILLED NYLON, BLACK.

④ CLINCH NUTS: STEEL.

⑤ CLINCH NUTS: ZINC PLATED PER ASTM 8633, TYPE II, CLASS SC1, YELLOW CHROMATE.

⑥ SHELLS & SHIELDS: STEEL PER ASTM A109.

⑦ SHELLS & SHIELDS: TIN PLATED.

5788819-1
 PART NUMBER

THIS DRAWING IS A CONTROLLED DOCUMENT.		DWN G. ATTADIA - DOCK5 11-12-04	Tyco Electronics Corporation	
DIMENSIONS: INCHES		CHK S. BOLASH 11-12-04	Harrisburg, PA 17105-3608	
TOLERANCES UNLESS OTHERWISE SPECIFIED:		APVD M. WALMSLEY 11-12-04	NAME	
0 PLC ± -		PRODUCT SPEC	KIT RCPT, SIZE 2	
1 PLC ± -		APPLICATION SPEC	26 POSITION, W/CLINCH NUTS,	
2 PLC ± -		114-10001	AMPLIMITE HDP-22	
3 PLC ± .005		SIZE A2	CAGE CODE 00779	DRAWING NO C=5788819
4 PLC ± -		WEIGHT -	RESTRICTED TO -	
ANGLES ± 0° 30'		CUSTOMER DRAWING		
FINISH		SCALE 2:1	SHEET 1 OF 1	REV 0