



Chipsmall Limited consists of a professional team with an average of over 10 year of expertise in the distribution of electronic components. Based in Hongkong, we have already established firm and mutual-benefit business relationships with customers from,Europe,America and south Asia,supplying obsolete and hard-to-find components to meet their specific needs.

With the principle of "Quality Parts,Customers Priority,Honest Operation,and Considerate Service",our business mainly focus on the distribution of electronic components. Line cards we deal with include Microchip,ALPS,ROHM,Xilinx,Pulse,ON,Everlight and Freescale. Main products comprise IC,Modules,Potentiometer,IC Socket,Relay,Connector.Our parts cover such applications as commercial,industrial, and automotives areas.

We are looking forward to setting up business relationship with you and hope to provide you with the best service and solution. Let us make a better world for our industry!



Contact us

Tel: +86-755-8981 8866 Fax: +86-755-8427 6832

Email & Skype: info@chipsmall.com Web: www.chipsmall.com

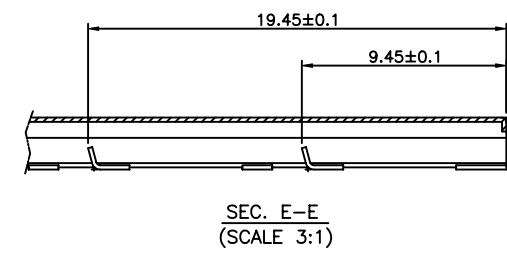
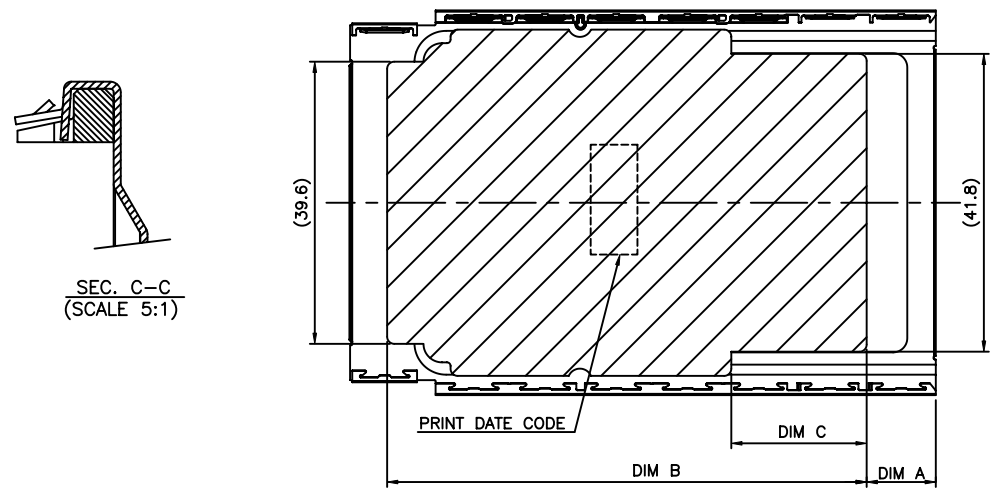
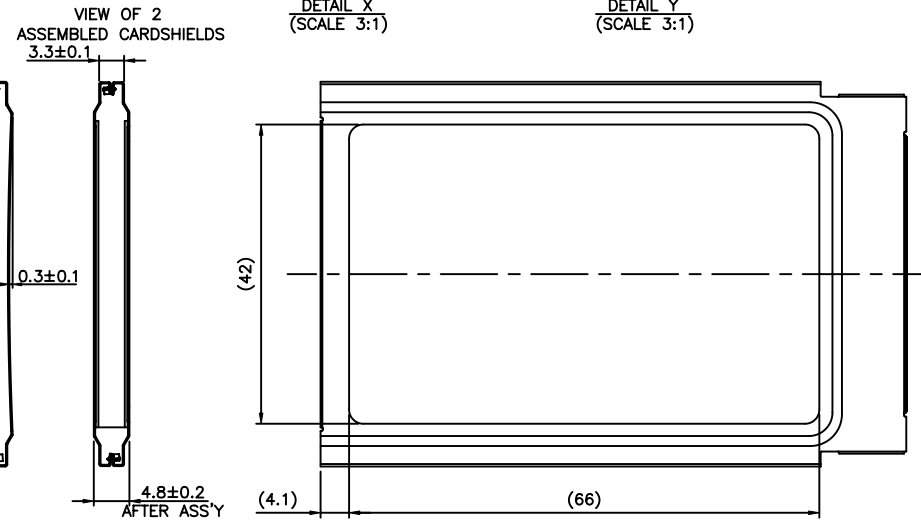
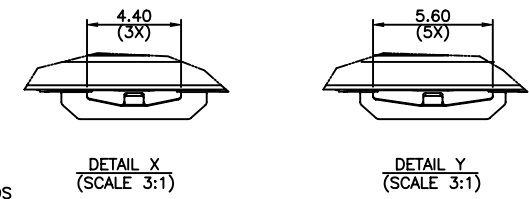
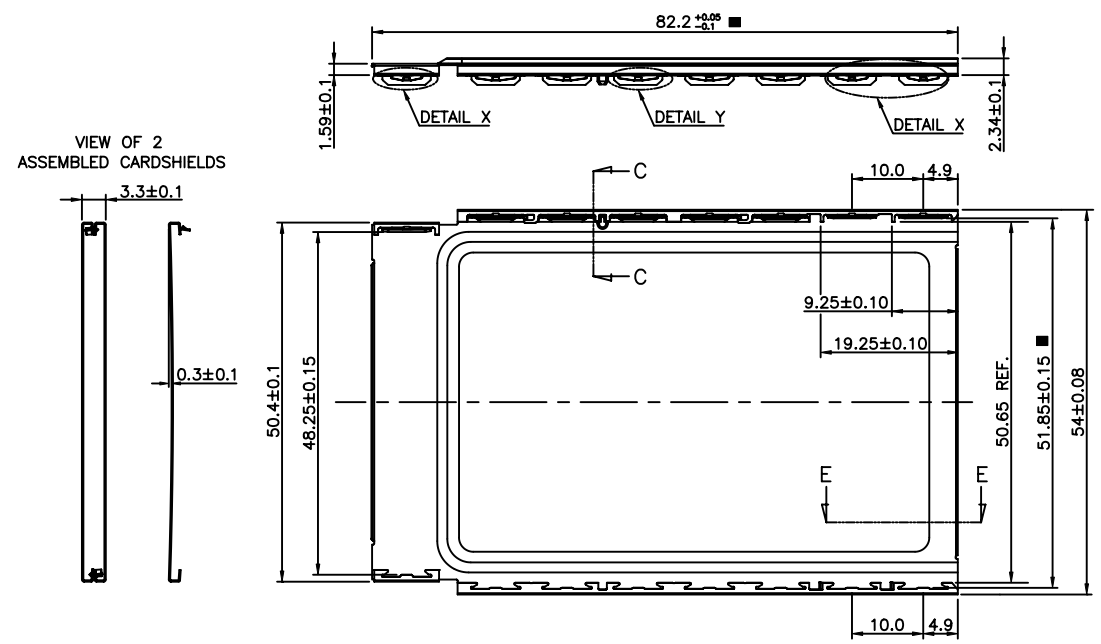
Address: A1208, Overseas Decoration Building, #122 Zhenhua RD., Futian, Shenzhen, China



Tous droits strictement réservés. Reproduction ou communication a des tiers int sous quelque forme que ce soit sans autorisation écrite du propriétaire. Property of c BERG ELECTRONICS. Droits de reproduction BERG ELECTRONICS by

All rights strictly reserved. Reproduction or issue to third parties in any for whatever is not permitted without written authority from the proprietor. Property of c BERG ELECTRONICS. Copyright BERG ELECTRONICS by

PRODUCT NUMBER	DIM A	DIM B	DIM C
57924-001	9.7±1.0	67.3 REF	19.0 REF
57924-002	1.4±1.0	75.6 REF	27.3 REF



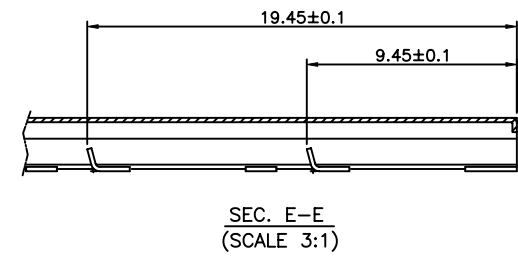
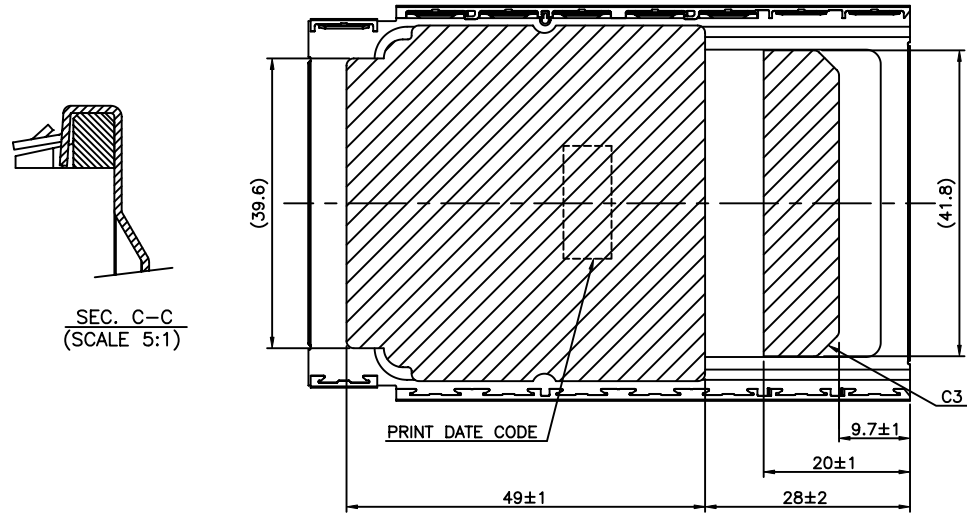
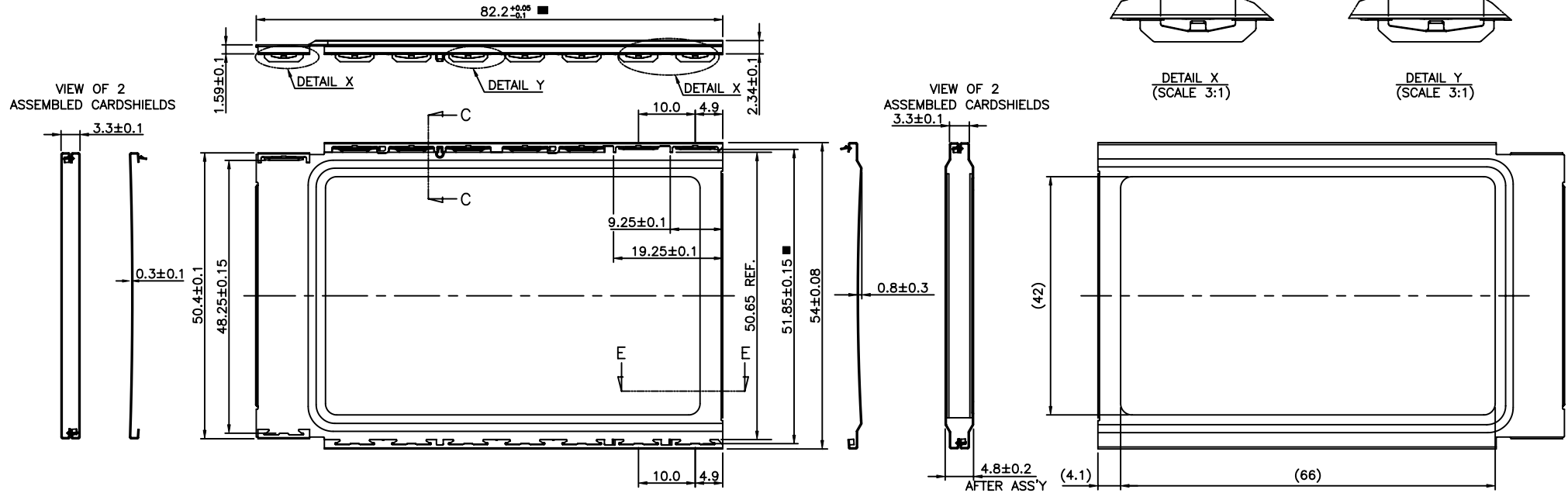
NOTE: 1. ■ : CPK MARK >= 1.5

mat'l code				tolerance unless otherwise specified				CUSTOMER COPY		 www.fciconnect.com		
rev.	ecn no.	dr	date	linear	X. ±0.3		projection	title		ROCARD SHIELD		
A	T20200	WL	06/26/02		.X ±0.13			product family		PCMCA		code
B	T20226	WL	08/13/02		.XX ±0.05			size		dwg no.		sheet
C	T03-0052	WL	02/11/03	angles	±2°			unit		mm/inch		
D	T04-0106	WL	03/08/04		dr WENDY CHEN 08/01/01			scale		A3		57924
					enr YUWEN CHU 08/01/01							1 OF 4
				chr YUWEN CHU 08/01/01								
				appd JENN TSAO 08/01/01								
sheet	revision	D	D	C	C							
index	sheet	1	2	3	4							

Tous droits strictement réservés. Reproduction ou communication a des tiers int sous quelque forme que ce soit sans autorisation écrite du propriétaire. Property of c BERG ELECTRONICS. Droits de reproduction BERG ELECTRONICS by

All rights strictly reserved. Reproduction or issue to third parties in any for whatever is not permitted without written authority from the proprietor. Property of c BERG ELECTRONICS. Copyright BERG ELECTRONICS by

PRODUCT NUMBER
57924-001A



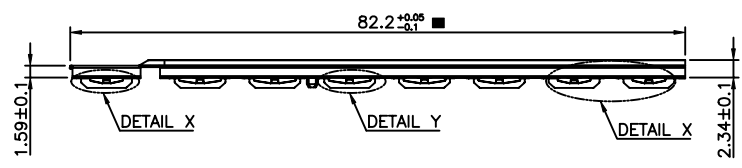
NOTE: 1. ■ : CPK MARK >= 1.5

mat'l code				tolerance unless otherwise specified				CUSTOMER COPY		 www.fciconnect.com		
rev.	ecn no.	dr	date	linear	X. ±0.3	projection		title		ROCARD SHIELD		
D					.X ±0.13			product family		PCMCA		code
					.XX ±0.05			size		dwg no.		sheet
				angles	±2°	unit		mm/inch		2 OF		
				dr	WENDY CHEN 02/20/02	scale		A3		57924		
				enr	YUWEN CHU 02/20/02							
				chr	YUWEN CHU 02/20/02							
				appd	JENN TSAO 02/20/02							
sheet index	revision	sheet										

Tous droits strictement réservés. Reproduction ou communication a des tiers int sous quelque forme que ce soit sans autorisation écrite du propriétaire. Property of c BERG ELECTRONICS. Droits de reproduction BERG ELECTRONICS by

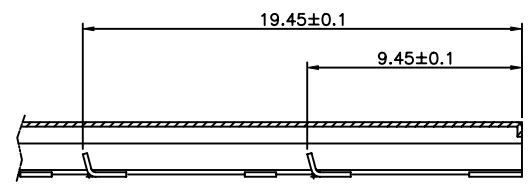
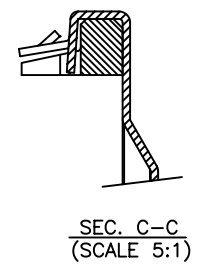
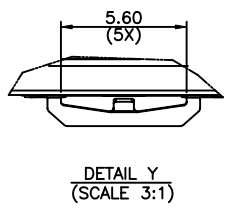
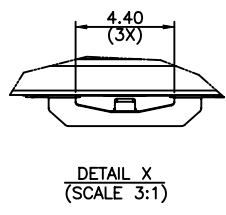
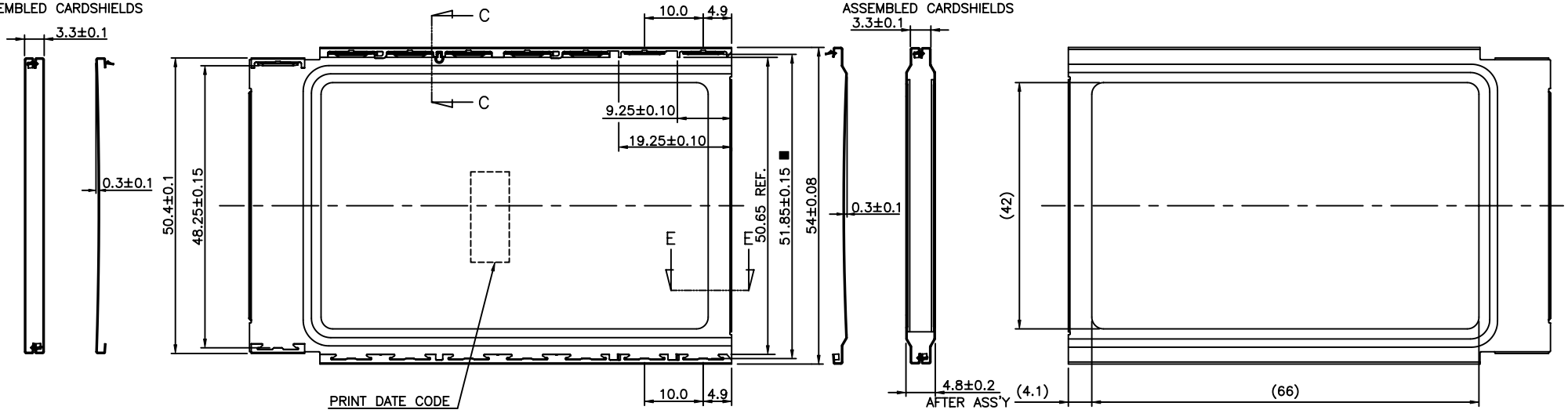
All rights strictly reserved. Reproduction or issue to third parties in any for whatever is not permitted without written authority from the proprietor. Copyright BERG ELECTRONICS by

PRODUCT NUMBER
57924-003



VIEW OF 2
ASSEMBLED CARDSHIELDS

VIEW OF 2
ASSEMBLED CARDSHIELDS



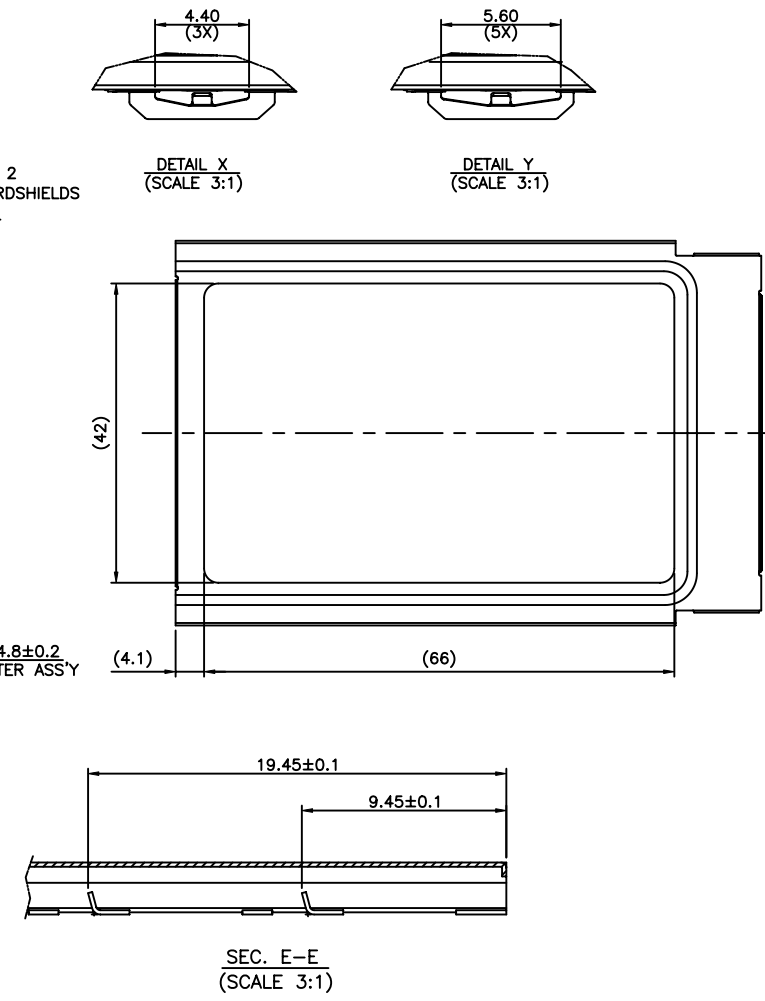
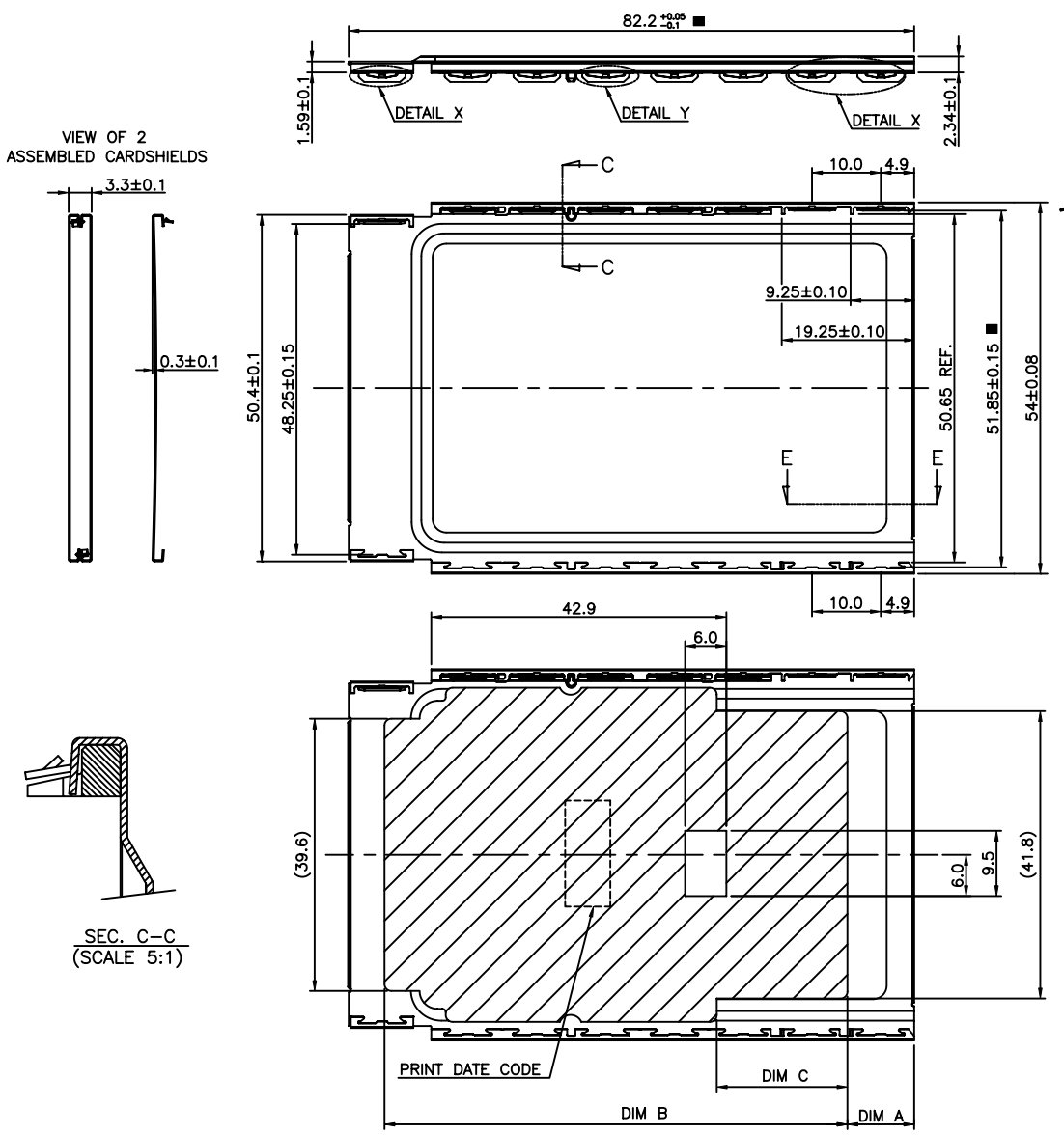
NOTE: 1. ■ : CPK MARK >= 1.5

mat'l code		tolerance unless otherwise specified		CUSTOMER COPY		 www.fciconnect.com		
rev.	ecn no.	dr	date	linear	X. ±0.3	projection	title	
C					.X ±0.13		ROCARD SHIELD	
				angles	.XX ±0.05		product family	code
				dr	±2°	mm/inch	PCMCIA	
				enr	WENDY CHEN 05/20/02	scale	size	dwg no.
				chr	SUNNY LIN 05/20/02	A3	57924	sheet
				appd	JENN TSAO 05/20/02			3 OF
sheet	revision							
index	sheet							

Tous droits strictement réservés. Reproduction ou communication a des tiers int sous quelque forme que ce soit sans autorisation écrite du propriétaire. Property of c BERG ELECTRONICS. Copyright BERG ELECTRONICS by

All rights strictly reserved. Reproduction or issue to third parties in any for whatever is not permitted without written authority from the proprietor. Property of c BERG ELECTRONICS. Copyright BERG ELECTRONICS by

PRODUCT NUMBER	DIM A	DIM B	DIM C
57924-004	9.7±1.0	67.3 REF	19.0 REF



NOTE: 1. ■ : CPK MARK ≥ 1.5

mat'l code				tolerance unless otherwise specified				CUSTOMER COPY		 www.fciconnect.com		
rev.	ecn no.	dr	date	linear	X. ±0.3		projection	title		ROCARD SHIELD		
C					.X ±0.13			product family		PCMCIA		code
					.XX±0.05			size		dwg no.		sheet
				angles	±2°		scale		A3		4 OF	
		dr	WENDY CHEN	01/16/03	unit	mm/inch		product family		PCMCIA		
		enr	DAVID TENG	01/16/03	size	A3		dwg no.		57924		
		chr	TONY CHIEN	01/16/03	scale	A3		product family		PCMCIA		
		appd	JENN TSAO	01/16/03							sheet	
sheet	revision											
index	sheet											