



Chipsmall Limited consists of a professional team with an average of over 10 year of expertise in the distribution of electronic components. Based in Hongkong, we have already established firm and mutual-benefit business relationships with customers from,Europe,America and south Asia,supplying obsolete and hard-to-find components to meet their specific needs.

With the principle of “Quality Parts,Customers Priority,Honest Operation,and Considerate Service”,our business mainly focus on the distribution of electronic components. Line cards we deal with include Microchip,ALPS,ROHM,Xilinx,Pulse,ON,Everlight and Freescale. Main products comprise IC,Modules,Potentiometer,IC Socket,Relay,Connector.Our parts cover such applications as commercial,industrial, and automotives areas.

We are looking forward to setting up business relationship with you and hope to provide you with the best service and solution. Let us make a better world for our industry!



Contact us

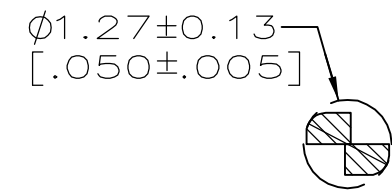
Tel: +86-755-8981 8866 Fax: +86-755-8427 6832

Email & Skype: info@chipsmall.com Web: www.chipsmall.com

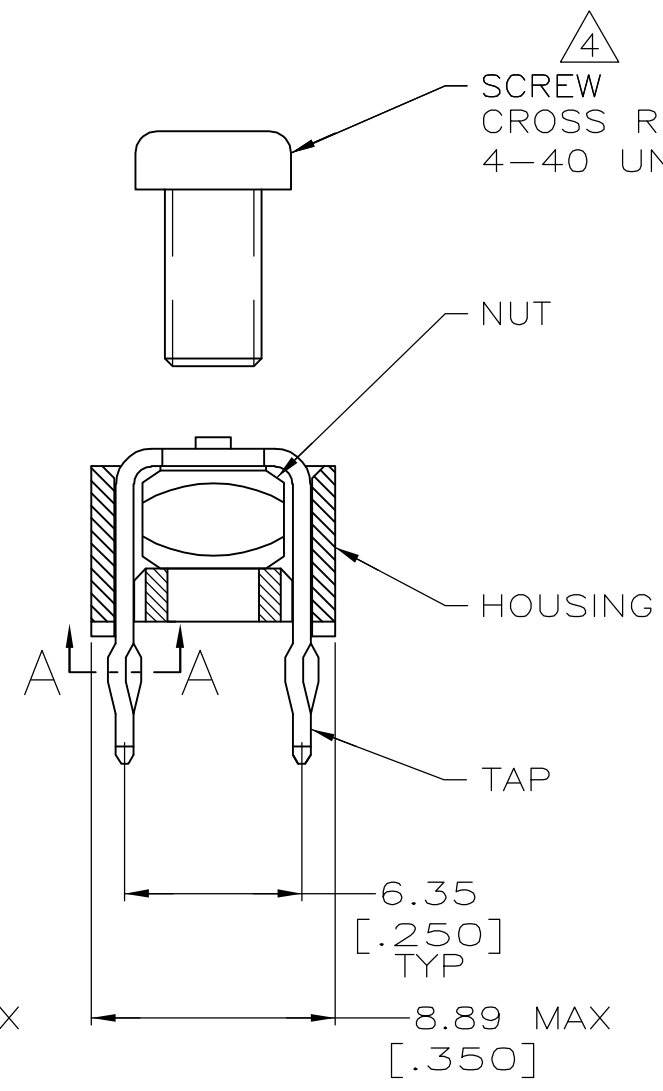
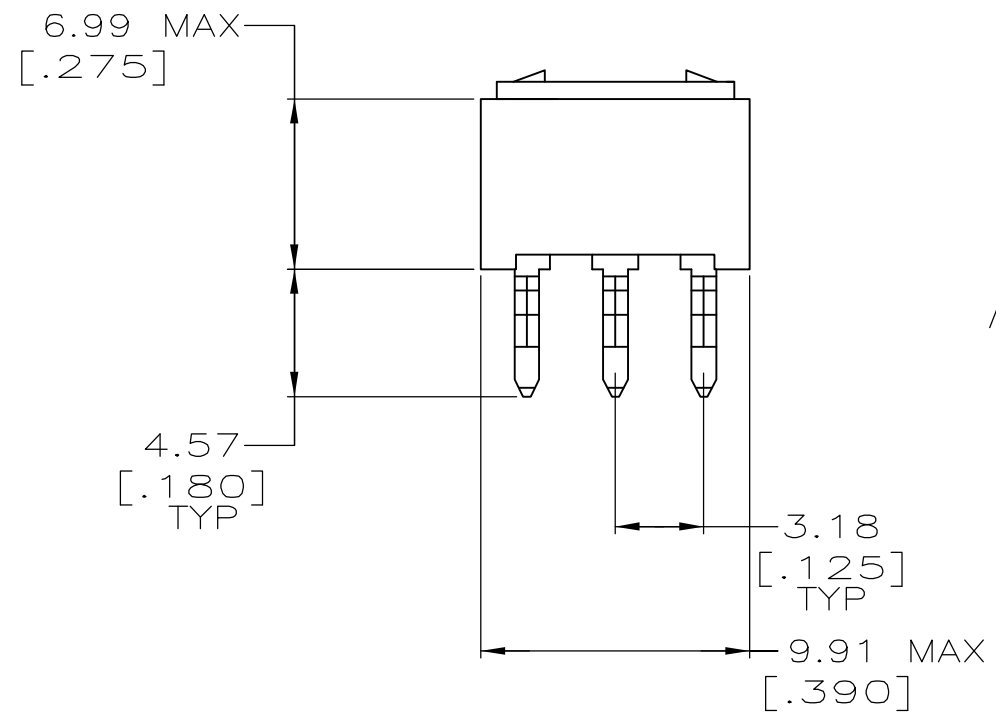
Address: A1208, Overseas Decoration Building, #122 Zhenhua RD., Futian, Shenzhen, China



LOC	DIST	REVISIONS					
AR	36	P	LTR	DESCRIPTION	DATE	DWN	APVD
		A		REV PER EC 0S12-0573-04	05-05-05	JA	SF

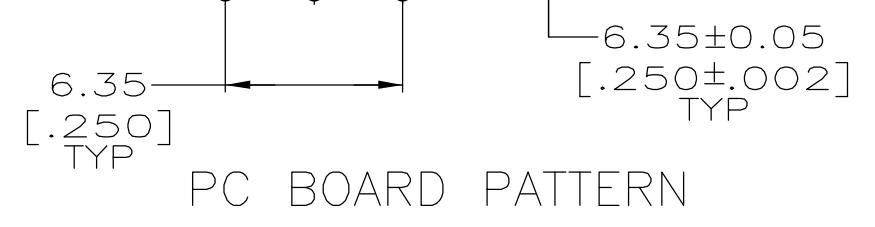
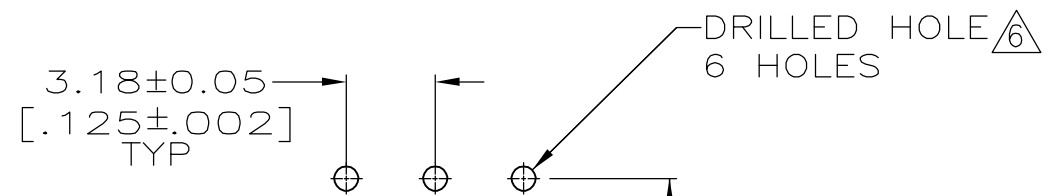


SECTION A-A
 SCALE 10:1
 6 PLACES



SCREW
 CROSS RECESSED PAN HEAD
 4-40 UNC2A X 6.35 [.250] LONG

- ① HOUSING: NYLON UL 94V-0, BLACK.
 NUT: CARBON STEEL.
 SCREW: STAINLESS STEEL.
 TAP: COPPER ALLOY 735.
- ② NUT: 5.08 μ m [.000200] MIN ZINC OVER
 1.27 μ m [.000050] MIN NICKEL.
 TAP: 3.81 μ m [.000150] MIN MATTE TIN OVER
 1.27 μ m [.000050] MIN NICKEL.
- 3. TO PREVENT THREAD STRIPPING, SCREW TORQUE
 SHOULD NOT EXCEED .9Nm [8.00 IN LBS].
- ④ SUPPLIED UNASSEMBLED.
- 5. BULK PACKAGED.
- ⑥ REFERENCE APPLICATION SPECIFICATION
 114-11000 FOR DRILL HOLE SIZES
 AND FINISHES.



PC BOARD PATTERN

5796131-2
 PART
 NUMBER

THIS DRAWING IS A CONTROLLED DOCUMENT.		DWN	05-05-05	tyco Electronics	Tyco Electronics Corporation		
		J. ALCORTA - DOCK5	05-05-05		Harrisburg, Pa 17105-3608		
DIMENSIONS: mm [INCHES]		CHK	05-05-05	NAME			
TOLERANCES UNLESS OTHERWISE SPECIFIED:		A. FRANTUM	05-05-05	TAP ASSEMBLY, POWER DISTRIBUTION			
0 PLC ± -		APVD	05-05-05	PRODUCT SPEC			
1 PLC ± -		S. FLICKINGER		108-11030			
2 PLC ± 0.25 [.010]				APPLICATION SPEC			
3 PLC ± -				114-11000			
4 PLC ± -				SIZE	CAGE CODE	DRAWING NO	RESTRICTED TO
ANGLES ± 2°				A3	00779	C=5796131	-
MATERIAL	FINISH	WEIGHT		CUSTOMER DRAWING			
①	②	-		SCALE	1:1	SHEET	1 OF 1
				REV A			