



Chipsmall Limited consists of a professional team with an average of over 10 year of expertise in the distribution of electronic components. Based in Hongkong, we have already established firm and mutual-benefit business relationships with customers from,Europe,America and south Asia,supplying obsolete and hard-to-find components to meet their specific needs.

With the principle of “Quality Parts,Customers Priority,Honest Operation,and Considerate Service”,our business mainly focus on the distribution of electronic components. Line cards we deal with include Microchip,ALPS,ROHM,Xilinx,Pulse,ON,Everlight and Freescale. Main products comprise IC,Modules,Potentiometer,IC Socket,Relay,Connector.Our parts cover such applications as commercial,industrial, and automotives areas.

We are looking forward to setting up business relationship with you and hope to provide you with the best service and solution. Let us make a better world for our industry!



Contact us

Tel: +86-755-8981 8866 Fax: +86-755-8427 6832

Email & Skype: info@chipsmall.com Web: www.chipsmall.com

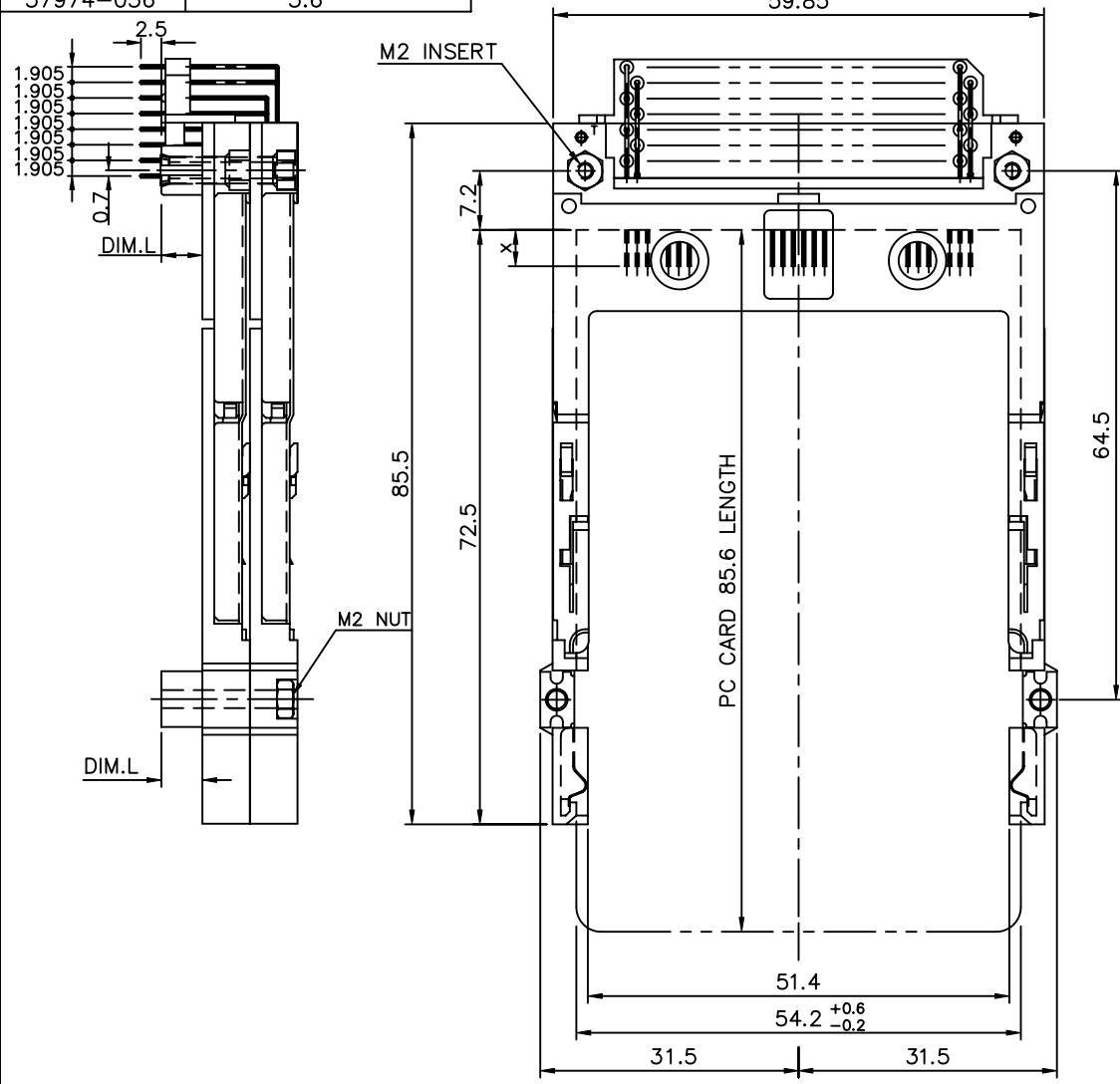
Address: A1208, Overseas Decoration Building, #122 Zhenhua RD., Futian, Shenzhen, China



Tous droits strictement réservés. Reproduction ou communication a des tiers int sous quelque forme que ce soit sans autorisation écrite du propriétaire.
 Property of c BERG ELECTRONICS.
 Droits de reproduction BERG ELECTRONICS by

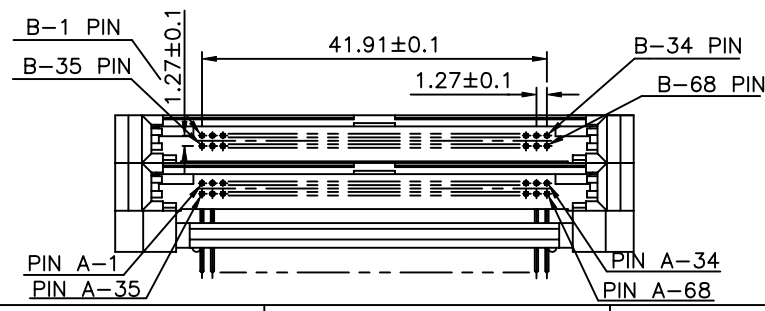
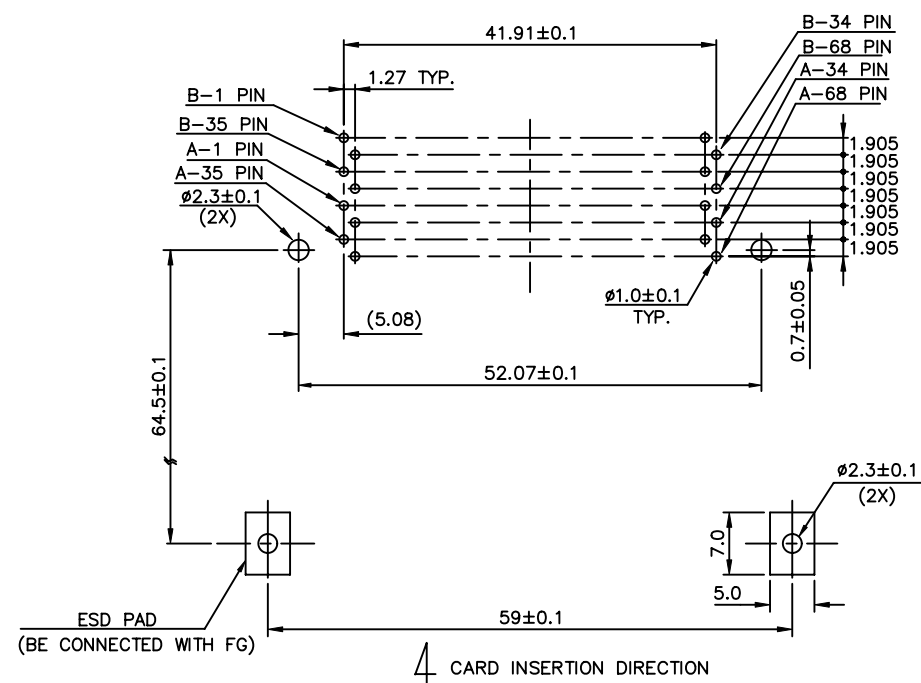
All rights strictly reserved. Reproduction or issue to third parties in any for whatever is not permitted without written authority from the proprietor.
 Property of c BERG ELECTRONICS.
 Copyright BERG ELECTRONICS by

PRODUCT NO.	STAND-OFF HIGH(DIM.L)
57974-050	5.0
57974-056	5.6



- NOTES:
- MATERIAL
 - HEADER ASS'Y :
 - PLASTIC : HOUSING ...LCP UL94V-0 NATURAL
 - : LOCATOR ...G.F. 6/6 NYLON UL94-VO BLACK
 - PIN : COPPER ALLOY
 - EJECT MECHANISM ASS'Y :
 - PLASTIC : GUIDE: POLYPHTHARAMID UL94V-0 BLACK
 - EMI CONTACT: PHOSPHOR BRONZE
 - FINISH (PIN)
 - UNDER PLATING : 0.5 um MIN. Ni
 - CONTACT AREA : 0.1 um MIN. GOLD OVER
 - 0.5 um MIN. Pd-Ni
 - SOLDER TAIL : 2.5 um MIN. Sn-Pb
 - DIM "X"

4.25±0.1	3.5±0.1	5.0±0.1
OTHERS	36,67	1,17,34,35,51,68



mat'l code				tolerance unless otherwise specified		CUSTOMER COPY		 www.fciconnect.com	
rev.	ecn no.	dr	date	linear	±0.30	projection	title		
A	T10354	WL	12/10/01	angles	± 2°		DOUBLE DECK R/A EJECTOR		
B	T03-0015	WL	01/16/03	dr	WENDY CHEN 12/10/01		unit	product family	
				enr	MINERVA WANG 12/10/01	mm/inch	PCMCIA		
				chr	MINERVA WANG 12/10/01	scale	size	dwg no.	code
				appd	JENN TSAO 12/10/01	1.5:1	A3	57974	sheet
sheet	revision	B						1 OF 1	
index	sheet	1							