



Chipsmall Limited consists of a professional team with an average of over 10 year of expertise in the distribution of electronic components. Based in Hongkong, we have already established firm and mutual-benefit business relationships with customers from,Europe,America and south Asia,supplying obsolete and hard-to-find components to meet their specific needs.

With the principle of “Quality Parts,Customers Priority,Honest Operation,and Considerate Service”,our business mainly focus on the distribution of electronic components. Line cards we deal with include Microchip,ALPS,ROHM,Xilinx,Pulse,ON,Everlight and Freescale. Main products comprise IC,Modules,Potentiometer,IC Socket,Relay,Connector.Our parts cover such applications as commercial,industrial, and automotives areas.

We are looking forward to setting up business relationship with you and hope to provide you with the best service and solution. Let us make a better world for our industry!



## Contact us

Tel: +86-755-8981 8866 Fax: +86-755-8427 6832

Email & Skype: info@chipsmall.com Web: www.chipsmall.com

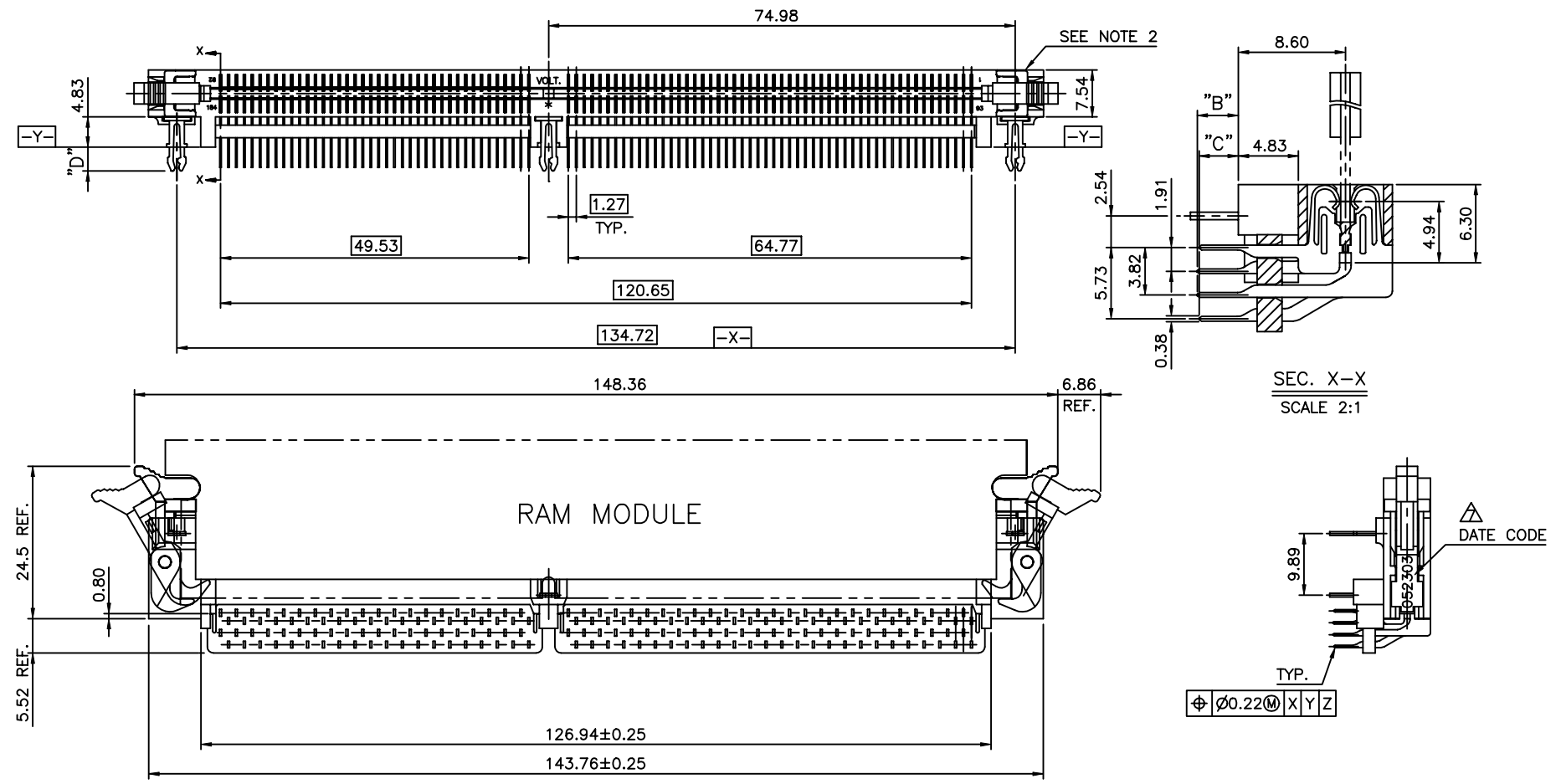
Address: A1208, Overseas Decoration Building, #122 Zhenhua RD., Futian, Shenzhen, China



**FCI**

All rights strictly reserved. Reproduction or issue to third parties in any form whatever is not permitted without written authority from the proprietor. Property of FCI. Copyright FCI.

Tous droits strictement réservés. Reproduction ou communication à des tiers interdite sous quelque forme que ce soit sans autorisation écrite du propriétaire. Propriété de c FCI. Droits de reproduction FCI.



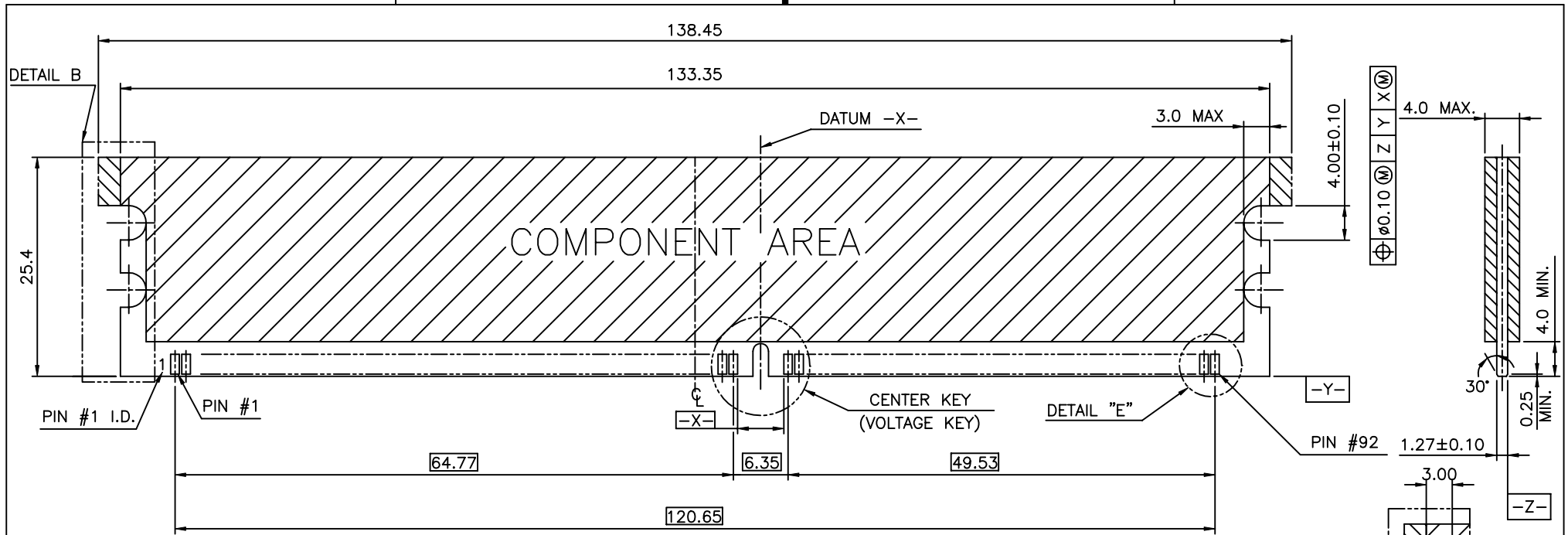
**NOTES:**

1. MATERIAL:
  - HOUSING: HIGH PERFORMANCE RESINS, GLASS FILLED UL94V-0 RATED, COLOR BLACK.
  - EJECTOR: HIGH PERFORMANCE RESINS, GLASS FILLED UL94V-0 RATED, COLOR NATURAL.
  - TAIL GUIDE: HIGH PERFORMANCE RESINS, GLASS FILLED UL94V-0 RATED, COLOR BLACK.
  - TERMINAL: PHOSPHOR BRONZE.
  - METAL CLIP: PHOSPHOR BRONZE.
2. FCI LOGO TO BE APPROXIMATELY LOCATED AS SHOWN ON PRINT.
3. PERFORMANCE TO BE TESTED PER GS-12-066.
4. PACKAGING PER GS-14-376.
5. HAIR CRACK IS ACCEPTED, BUT NG FOR THAT WITH APPARENT GAP.
6. THE TERMINAL ROW 4 TAIL LENGTH (DIM. "C") IS ALLOWED AT 3.15±0.23 AT OUTSIDE POSITION.
7. THE DATE CODE IS SHOWN "MM-DD-YY".

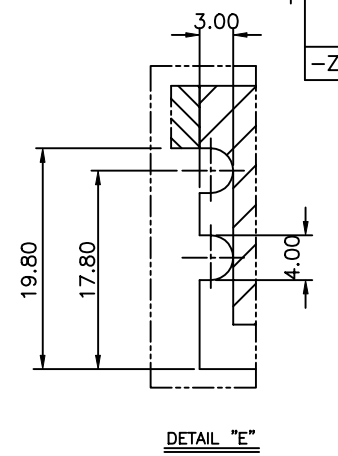
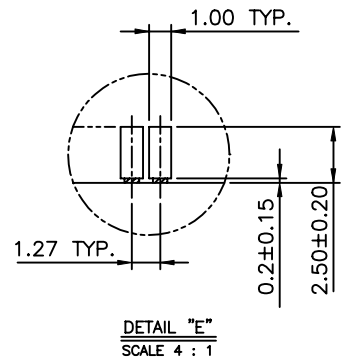
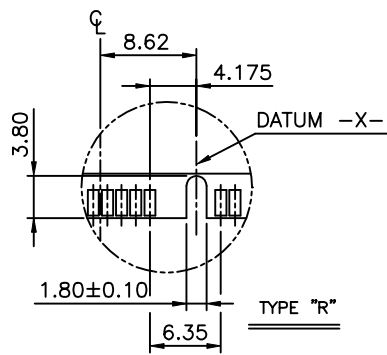
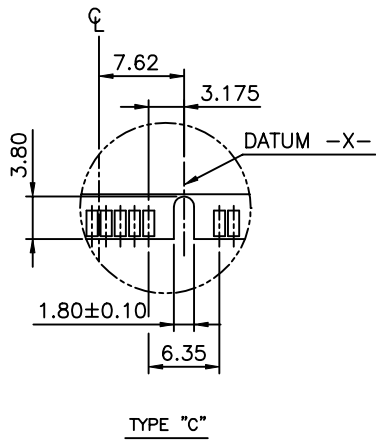
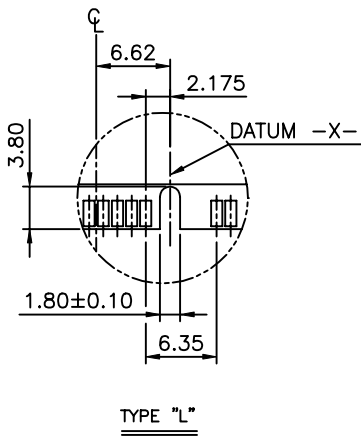
mat'l. code				tolerances unless otherwise specified			CUSTOMER COPY		FCI		www.fciconnect.com	
ltr	ecn no	dr	date	linear	.X ± 0.38		projection	title				
A	T03-0020	M W	01/17/03		.XX ± 0.25			DDR 184P				
B	T03-0194	M W	05/23/03		.XXX ± 0.13			R/A ASS'Y METAL CLIP				
C	T04-0145	M W	04/08/04	angles	0° ± 2°			product family		DDR		
D	T05-0070	M W	04/01/05	dr	MAGGIE WU	01/16/02		size	dwg no		code	TWN
				enr	R Y LIU	01/16/02		scale	A4		57997	sheet
				chr	YUWEN CHU	01/16/02	1:1					
				appd	JENN TSAO	01/16/02						
sheet index	revision sheet	D	A	A	D							
		1	2	3	4							

Tous droits strictement réservés. Reproduction ou communication a des tiers interdite sous quelque forme que ce soit sans autorisation écrite du propriétaire. Propriete de c FCI. Droits de reproduction FCI.

All rights strictly reserved. Reproduction or issue to third parties in any form whatever is not permitted without written authority from the proprietor. Property of FCI. Copyright FCI.



RECOMMENDED MODULE LAYOUT



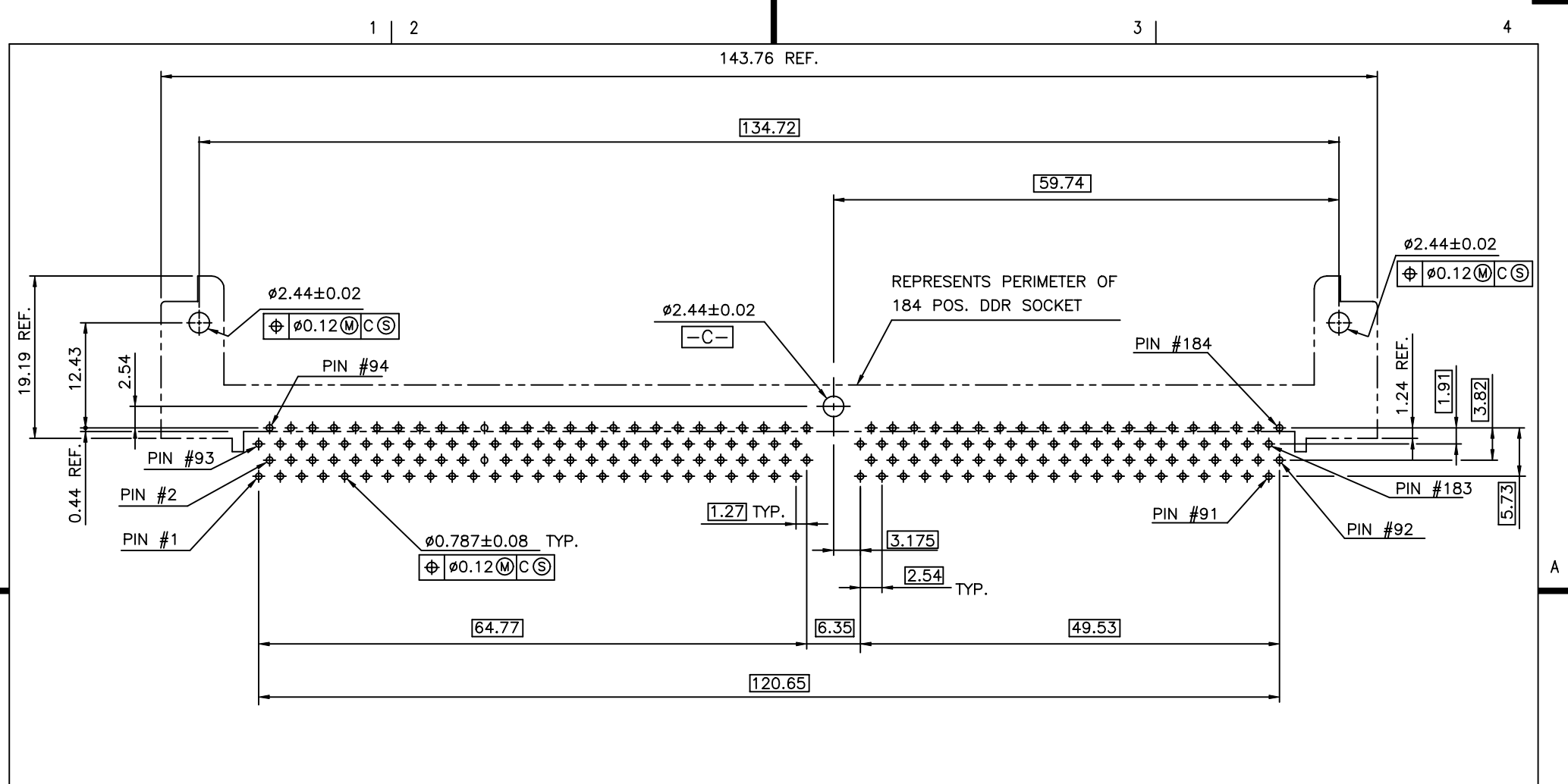
TYPE "R"	3.3 VOLT.
TYPE "L"	2.5 VOLT.
TYPE "C"	1.8 VOLT.
CENTER KEY	DESCRIPTION

**CONFIDENTIAL**

mat'l. code				tolerances unless otherwise specified				CUSTOMER COPY		 www.fciconnect.com	
ltr	ecn no	dr	date	linear	.X ± 0.38			projection	title		
A					.XX ± 0.25				DDR 184P		
				angles	.XXX ± 0.13			 MM	product family		code
					0° ±2°				DDR		TWN
				dr	MAGGIE WU	01/16/02	scale	1.5:1	A4	57997	sheet 2 of
			enr	R Y LIU	01/16/02						
			chr	YUWEN CHU	01/16/02						
			appd	JENN TSAO	01/16/02						
sheet index	revision sheet										

Tous droits strictement reserves. Reproduction ou communication a des tiers interdite sous quelque forme que ce soit sans autorisation ecrite du proprietaire. Propriete de c FCI. Droits de reproduction FCI.

All rights strictly reserved. Reproduction or issue to third parties in any form whatever is not permitted without written authority from the proprietor. Property of FCI. Copyright FCI.



RECOMMENDED CIRCUIT BOARD HOLE LAYOUT

CONFIDENTIAL

mat'l. code				tolerances unless otherwise specified			CUSTOMER COPY		 www.fciconnect.com		
ltr	ecn no	dr	date	linear	.X ± 0.38		projection	title DDR 184P R/A ASS'Y METAL CLIP			
A					.XX ± 0.25						
				angles	.XXX ± 0.13		 MM	product family DDR		code	
					0° ± 2°					size	dwg no
				dr	MAGGIE WU	01/16/02	scale 1.5:1	A4		57997	sheet
				enr	R Y LIU	01/16/02					3 of
				chr	YUWEN CHU	01/16/02					
				appd	JENN TSAO	01/16/02					
sheet index	revision sheet										

Tous droits strictement reserves. Reproduction ou communication a des tiers interdite sous quelque forme que ce soit sans autorisation ecrite du proprietaire. Propriete de c FCI. Droits de reproduction FCI.

5 7 9 9 7 - □ □ □ □ □

STYLE

- 1 : FOR 3.3 VOLT.
- 2 : FOR 2.5 VOLT.
- 3 : FOR 1.8 VOLT.

PEG TYPE

- 0 : WITH METAL CLIP + DIM."D"=3.45.
- 1 : WITH METAL CLIP + DIM."D"=3.85.

TAIL LENGTH

CODE	DIM. "B"	DIM. "C"
0	2.54	2.39
1	3.30	3.15

PLATING

CODE	CONTACT	SOLDERTAIL	UNDERPLATE
2	15μ"(0.38μm) MIN. GOLD	100μ"(2.54μm) MIN. TIN/LEAD	50μ" (1.27μm) MIN. NICKEL OVERALL
3	30μ"(0.76μm) MIN. GOLD		
4	3μ" (0.076μm) MIN. GOLD		
2LF	15μ"(0.38μm) MIN. GOLD		
3LF	30μ"(0.76μm) MIN. GOLD	100μ"(2.54μm) MIN. 100% TIN	
4LF	3μ" (0.076μm) MIN. GOLD		

COLOR OF HOUSING AND EJECTOR

0 : BLACK HOUSING + IVORY EJECTOR + BLACK TAIL GUIDE

CONFIDENTIAL

mat'l. code				tolerances unless otherwise specified			CUSTOMER COPY		FCI www.fciconnect.com	
ltr	ecn no	dr	date	linear	.X ± 0.38		projection	title		
D					.XX ± 0.25			DDR 184P		
				angles	.XXX ± 0.13			R/A ASS'Y METAL CLIP		
					0° ± 2°					
				dr	MAGGIE WU	01/16/02	← MM →	product family		code
				enr	R Y LIU	01/16/02		DDR		TWN
				chr	YUWEN CHU	01/16/02	scale	size		sheet
				appd	JENN TSAO	01/16/02		dwg no		4 of
sheet index	revision sheet						1:1	A4	57997	

All rights strictly reserved. Reproduction or issue to third parties in any form whatever is not permitted without written authority from the proprietor. Property of FCI. Copyright FCI.