



Chipsmall Limited consists of a professional team with an average of over 10 year of expertise in the distribution of electronic components. Based in Hongkong, we have already established firm and mutual-benefit business relationships with customers from,Europe,America and south Asia,supplying obsolete and hard-to-find components to meet their specific needs.

With the principle of “Quality Parts,Customers Priority,Honest Operation,and Considerate Service”,our business mainly focus on the distribution of electronic components. Line cards we deal with include Microchip,ALPS,ROHM,Xilinx,Pulse,ON,Everlight and Freescale. Main products comprise IC,Modules,Potentiometer,IC Socket,Relay,Connector.Our parts cover such applications as commercial,industrial, and automotives areas.

We are looking forward to setting up business relationship with you and hope to provide you with the best service and solution. Let us make a better world for our industry!



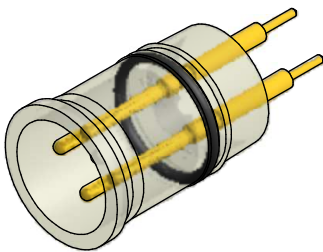
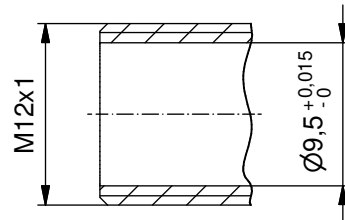
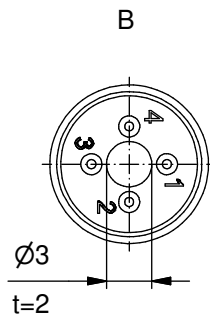
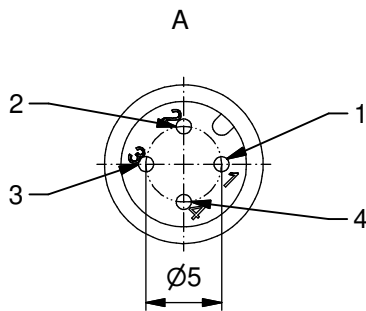
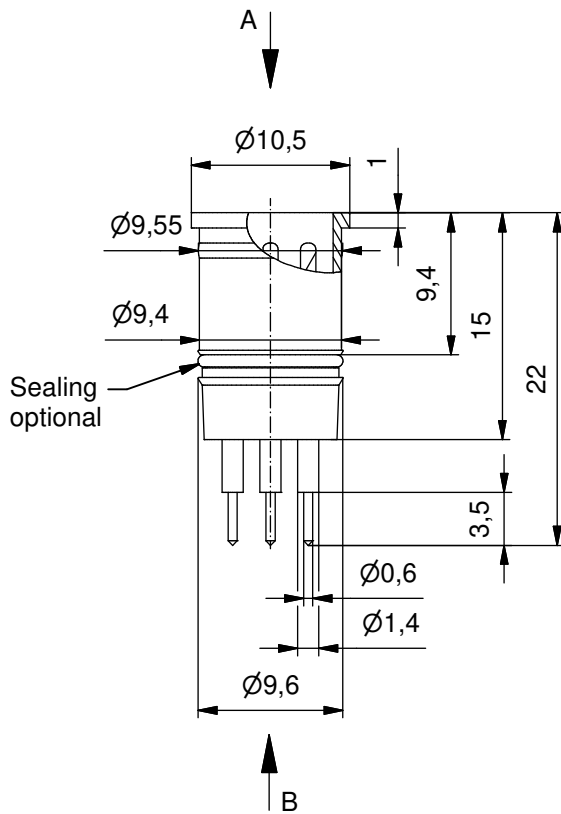
## Contact us

Tel: +86-755-8981 8866 Fax: +86-755-8427 6832

Email & Skype: info@chipsmall.com Web: www.chipsmall.com

Address: A1208, Overseas Decoration Building, #122 Zhenhua RD., Futian, Shenzhen, China





**Technical specification:**

Rated voltage: 250 V  
IEC 61076-2-101

Current rating: 4 A at 40°C  
IEC 61076-2-101

Insulation resistance: >=100 MΩ  
IEC 60512

Pollution degree: 3/2  
IEC 60664-1

Degree of protection: IP 67, in mated condition  
IEC 60529

Temperature range: -30°C ... +80°C  
EN 60512-11-10  
-40°C ... +80°C  
EN 60512-11-4  
UL 2238  
-30°C ... +65°C

Mating cycles: >=100  
IEC 60512-9a

**Materials:**

Contact: CuZn, Ni b / Au 0,2 gal.

Contact carrier: PA, UL 94 HB transparent

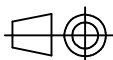
Sealing: FPM

Part no:	Description:	Pos	Construction:
43-01636	SAL - 12 - EST4 - P	4	without sealing
43-01681	SAL - 12 - ESTO4 - P	4	with sealing

DO NOT ALTER CAD DRAWING BY HAND

RoHS & REACH compliant

Index: c 11.06.15 fro Ä5678  
UL adaptation



dim.  
in mm



title:

Panel plug M12x1 with dip solder

dwg no:

43K1A1195

part no:



THIS DRAWING MAY NOT BE COPIED OR REPRODUCED IN ANY WAY, AND MAY NOT BE PASSED ON TO A THIRD PARTY WITHOUT WRITTEN PERMISSION. OWNERSHIP AND COPYRIGHT OF CONEC GmbH