



Chipsmall Limited consists of a professional team with an average of over 10 year of expertise in the distribution of electronic components. Based in Hongkong, we have already established firm and mutual-benefit business relationships with customers from,Europe,America and south Asia,supplying obsolete and hard-to-find components to meet their specific needs.

With the principle of "Quality Parts,Customers Priority,Honest Operation,and Considerate Service",our business mainly focus on the distribution of electronic components. Line cards we deal with include Microchip,ALPS,ROHM,Xilinx,Pulse,ON,Everlight and Freescale. Main products comprise IC,Modules,Potentiometer,IC Socket,Relay,Connector.Our parts cover such applications as commercial,industrial, and automotives areas.

We are looking forward to setting up business relationship with you and hope to provide you with the best service and solution. Let us make a better world for our industry!



Contact us

Tel: +86-755-8981 8866 Fax: +86-755-8427 6832

Email & Skype: info@chipsmall.com Web: www.chipsmall.com

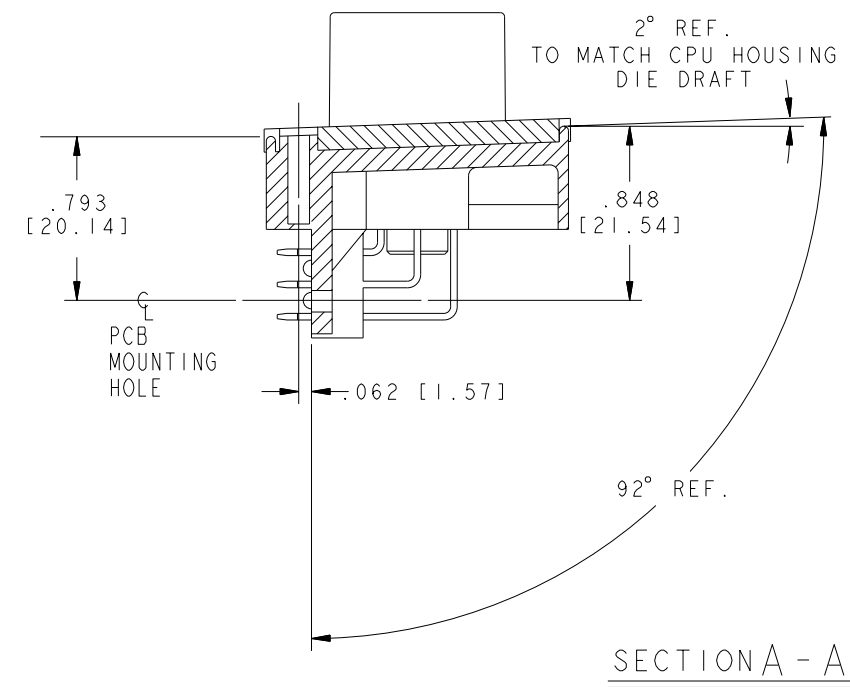
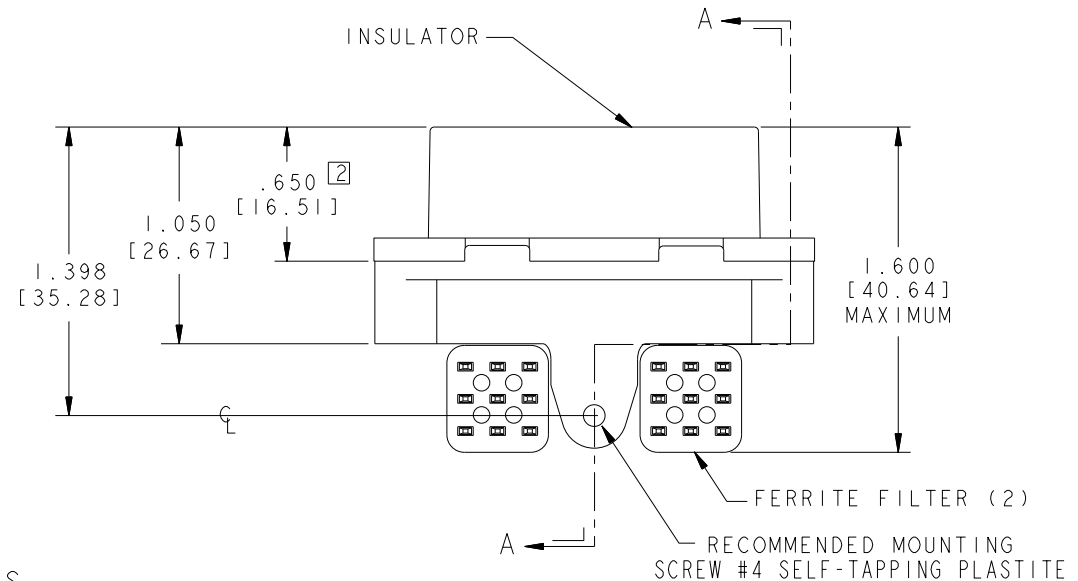
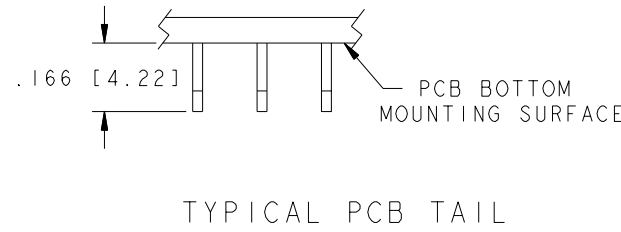
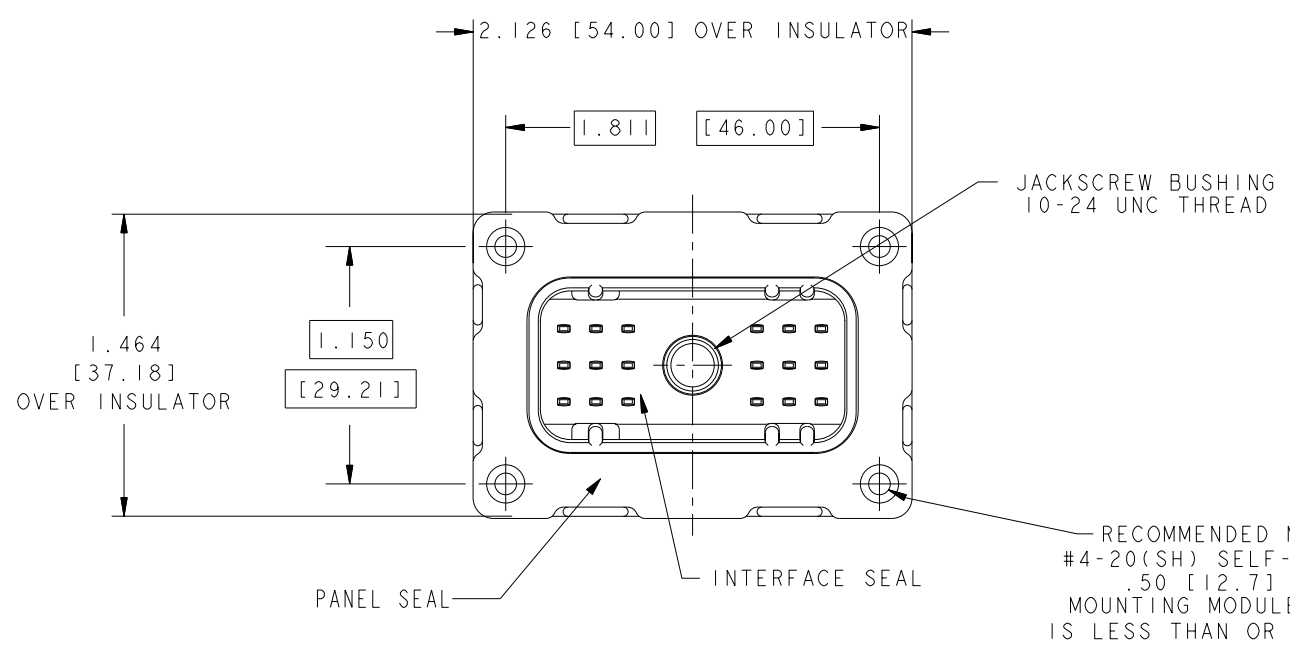
Address: A1208, Overseas Decoration Building, #122 Zhenhua RD., Futian, Shenzhen, China



8 7 6 5 4 3 2 1

DRAWING REVISIONS

REV	DOCUMENT	APP	DATE
B	@C6 ADDED: ONLY IF... @A8 ADDED: 7. RECOMMENDED... PER ECN #01A680	AC	12/05/01



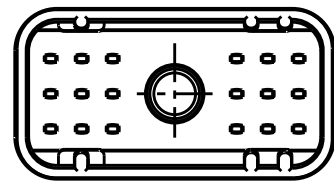
NOTES

- ALL DIMENSIONS IN [] ARE IN MILLIMETERS.
- .650 [16.51] TO BE MEASURED AT THE CENTER OF WIDTH OF CONNECTOR.
- MATERIAL:
 TERMINAL BLADE: BRASS WITH TIN-LEAD OVER NICKEL PLATING
 JACKSCREW BUSHING: BRASS, UNPLATED
 INSULATOR: 30% GLASS FILLED PBT POLYESTER
 PANEL SEAL: SILICON RUBBER COLOR: BLUE
 INTERFACE SEAL: SILICON RUBBER COLOR: BLUE
- SOLDERABILITY MEETS USCAR 5.4.1.
- MATES WITH CINCH PUSH-TO-SEAT HARNESS CONNECTOR (SEE SHT. 2)
- STANDARD CELL PACK, QUANTITY 100 PIECES.
- RECOMMENDED TORQUE: JACKSCREW 15-20 IN-LBS[1.7-2.3Nm]
 PANEL SCREW 8.5±0.5 IN-LBS[0.9±0.1Nm]
 PCB RETENTION SCREW 2-3 IN-LBS[0.23-0.34 Nm]

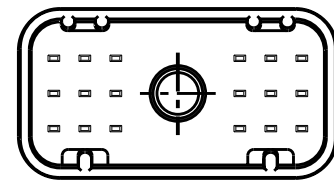
MODELED BY:
J. TOBACK

UNITS	ENGLISH	PRO/E	Cinch		1700 FINLEY RD LOMBARD, IL. 60148
DO NOT SCALE DRAWING	DRAWN BY T. RANDAZZO	DATE 05/16/96	TITLE CONNECTOR ASSEMBLY, RECEPTACLE 18 POS.		
	DESIGN ENGINEER T. RANDAZZO		MATERIAL		CONTROL SPEC NUMBER
	DESIGN ENGINEERING MGR. R. BYCZEK	04/30/97	MATERIAL SPEC NUMBER	FINISH	PROJECT NUMBER C13841
	MFG. ENGINEERING		CAD FILE NUMBER 5810118001S	DRAWING NUMBER 581 01 18 001S	
	QUALITY ASSURANCE		CAGE IDENT NO. SIZE 71785 B	SCALE 1.000	SHEET 1 OF 2

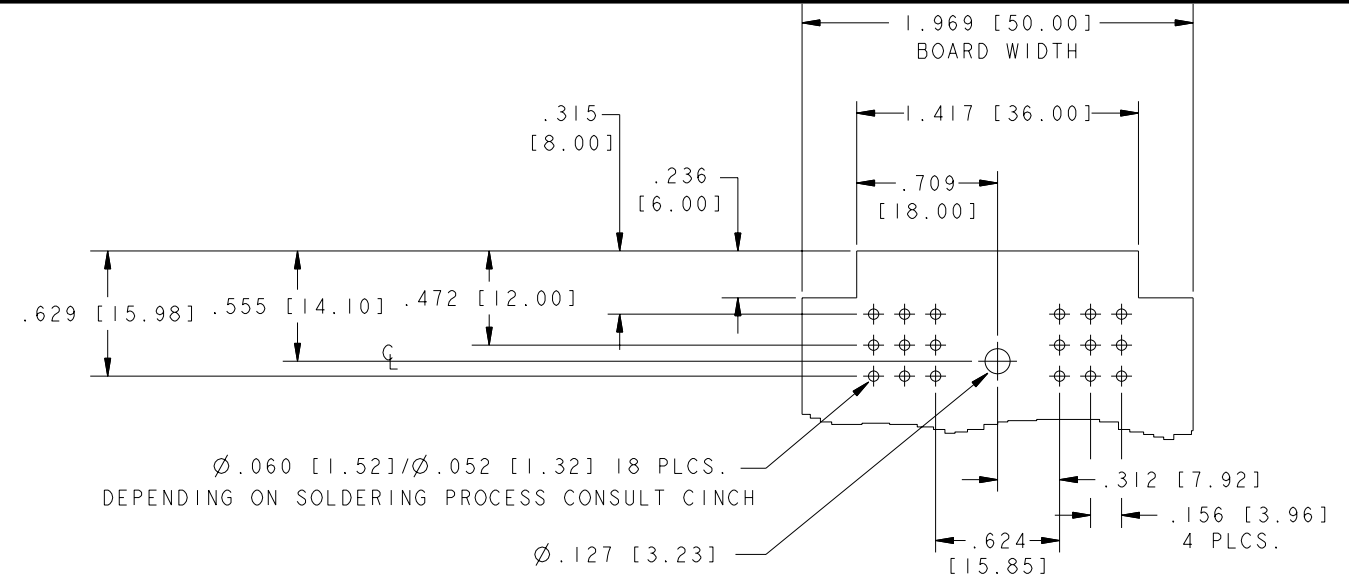
8 7 6 5 4 3 2 1



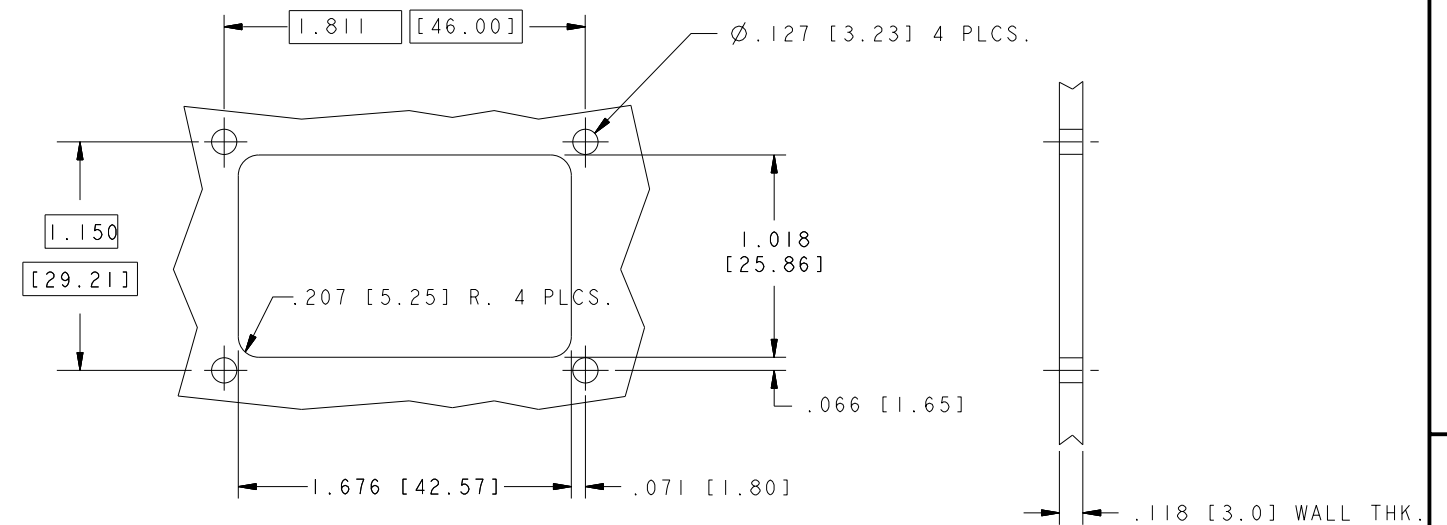
POLARIZATION "A"
581 01 18 001
HOUSING COLOR: BLACK



POLARIZATION "B"
581 01 18 002
HOUSING COLOR: NATURAL



RECOMMENDED PC BOARD LAYOUT



MOUNTING HOLE-MODULE CASE OPENING

UNITS ENGLISH	Cinch		1700 FINLEY RD LOMBARD, IL. 60148
DO NOT SCALE DRAWING	TITLE CONNECTOR ASSEMBLY, RECEPTACLE 18 POS.		
	PRO/E DRAWING		
THIS DOCUMENT IS THE PROPERTY OF CINCH. NEITHER THIS DOCUMENT NOR ANY OF THE INFORMATION CONTAINED IN IT MAY BE DUPLICATED OR DISCLOSED WITHOUT PRIOR WRITTEN CONSENT OF CINCH.	CAD FILE NUMBER 5810118001S	DRAWING NUMBER 581 01 18 001S	REV B
	CAGE IDENT NO. SIZE 71785 B	SCALE 1.000	SHEET 2 OF 2