



Chipsmall Limited consists of a professional team with an average of over 10 year of expertise in the distribution of electronic components. Based in Hongkong, we have already established firm and mutual-benefit business relationships with customers from,Europe,America and south Asia,supplying obsolete and hard-to-find components to meet their specific needs.

With the principle of "Quality Parts,Customers Priority,Honest Operation,and Considerate Service",our business mainly focus on the distribution of electronic components. Line cards we deal with include Microchip,ALPS,ROHM,Xilinx,Pulse,ON,Everlight and Freescale. Main products comprise IC,Modules,Potentiometer,IC Socket,Relay,Connector.Our parts cover such applications as commercial,industrial, and automotives areas.

We are looking forward to setting up business relationship with you and hope to provide you with the best service and solution. Let us make a better world for our industry!



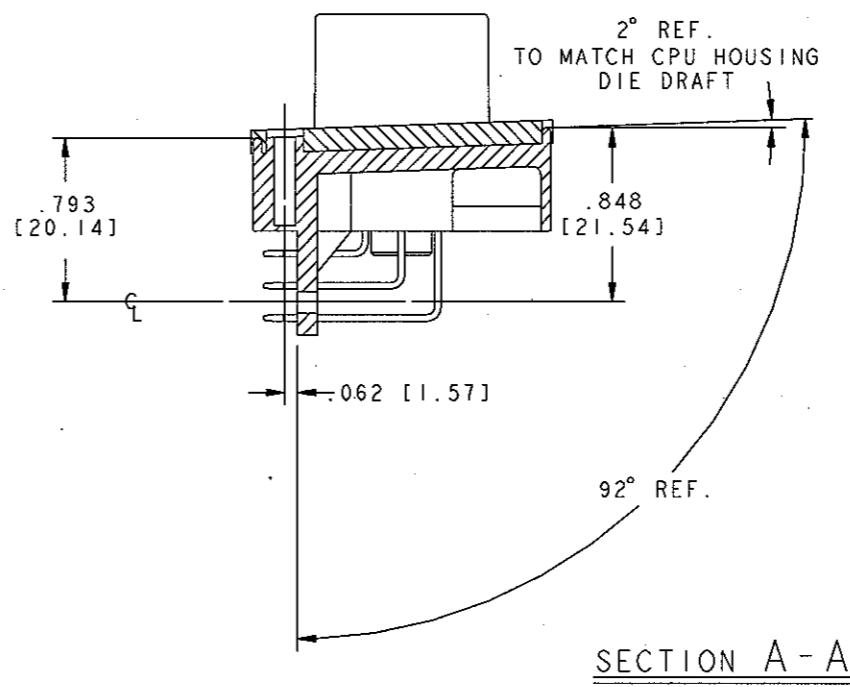
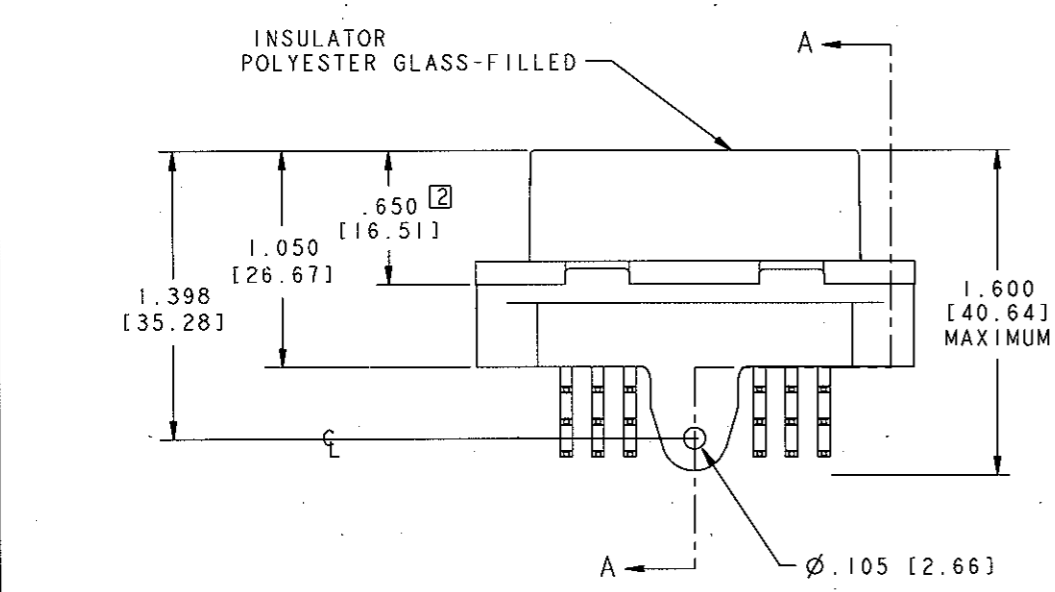
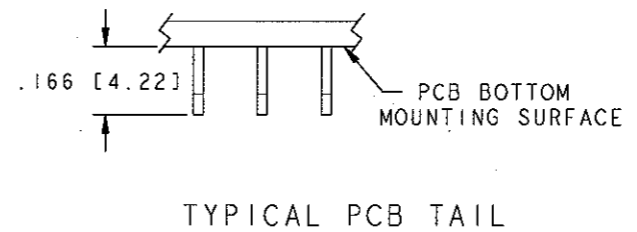
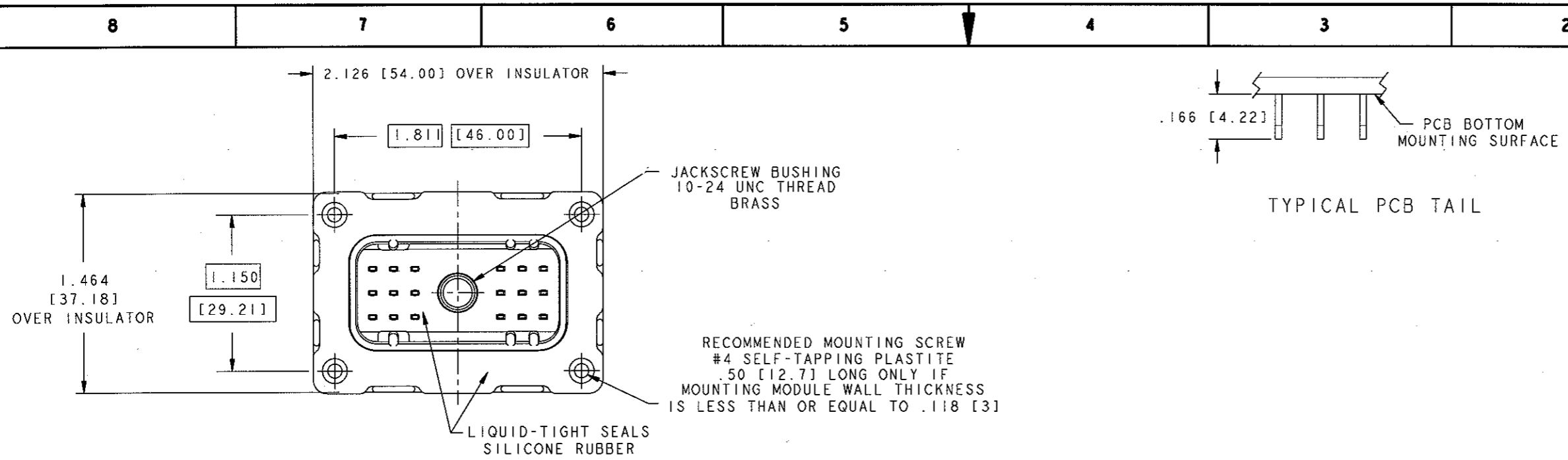
Contact us

Tel: +86-755-8981 8866 Fax: +86-755-8427 6832

Email & Skype: info@chipsmall.com Web: www.chipsmall.com

Address: A1208, Overseas Decoration Building, #122 Zhenhua RD., Futian, Shenzhen, China





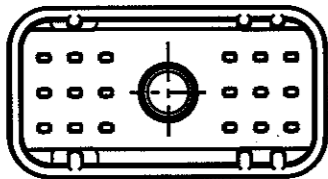
DRAWING REVISIONS			
REV	DOCUMENT	APP	DATE
A	RELEASE TO PRODUCTION D.O. #01-1405	AC	11/10/01
B	CHG: 011 WAS 001 (P2D7) CHG: 023 WAS 021 (P2D7) CHG: 012 WAS 002 (P2C7) CHG: 024 WAS 022 (P2C6) PER ECH 03A734	J.C.	11/4/03

- NOTES
- ALL DIMENSIONS IN [] ARE IN MILLIMETERS.
 - .650 [16.51] TO BE MEASURED AT THE CENTER OF WIDTH OF CONNECTOR.
 - TERMINAL BLADE MATERIAL: BRASS WITH TIN-LEAD OVER NICKEL PLATING.
 - SOLDERABILITY MEETS USCAR 5.4.1.
 - MATES WITH CINCH PUSH-TO-SEAT HARNESS CONNECTOR (SEE SHT. 2)
 - STANDARD CELL PACK, QUANTITY 100 PIECES.
 - RECOMMENDED TORQUE: JACKSCREW 15-20 IN-LBS [1.7-2.3Nm]
PANEL SCREW 8.5±0.5 IN-LBS [0.9±0.1Nm]
PCB RETENTION SCREW 2-3 IN-LBS [0.23-0.34 Nm]

UNITS ENGLISH		PRO/E				1700 FINLEY RD LOMBARD, IL. 60148	
DO NOT SCALE DRAWING		DRAWN BY J. TOBACK	DATE 11/16/01	TITLE CONNECTOR ASSEMBLY, RECEPTACLE 18 POSITION (WITHOUT FERRITES)			
		DESIGN ENGINEER J. TOBACK	DATE 11/16/01	MATERIAL		CONTROL SPEC NUMBER	
		DESIGN ENGINEERING MGR. A. CAINES	DATE 11/16/01	MATERIAL SPEC NUMBER		PROJECT NUMBER	
		MFG. ENGINEERING P. WALTHALL	DATE 12/06/01	CAD FILE NUMBER		DRAWING NUMBER	
		QUALITY ASSURANCE T. SHAH	DATE 12/06/01	5810118011S		581 01 18 011S	
		THIS DOCUMENT IS THE PROPERTY OF CINCH. NEITHER THIS DOCUMENT NOR ANY OF THE INFORMATION CONTAINED IN IT MAY BE DUPLICATED OR DISCLOSED WITHOUT PRIOR WRITTEN CONSENT OF CINCH.		CAGE IDENT NO. SIZE 71785 B		SCALE 1.000	
				SHEET 1 OF 2			

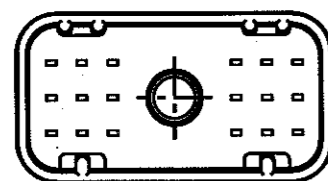
8 7 6 5 4 3 2 1

581 01 18 011 (BLACK)

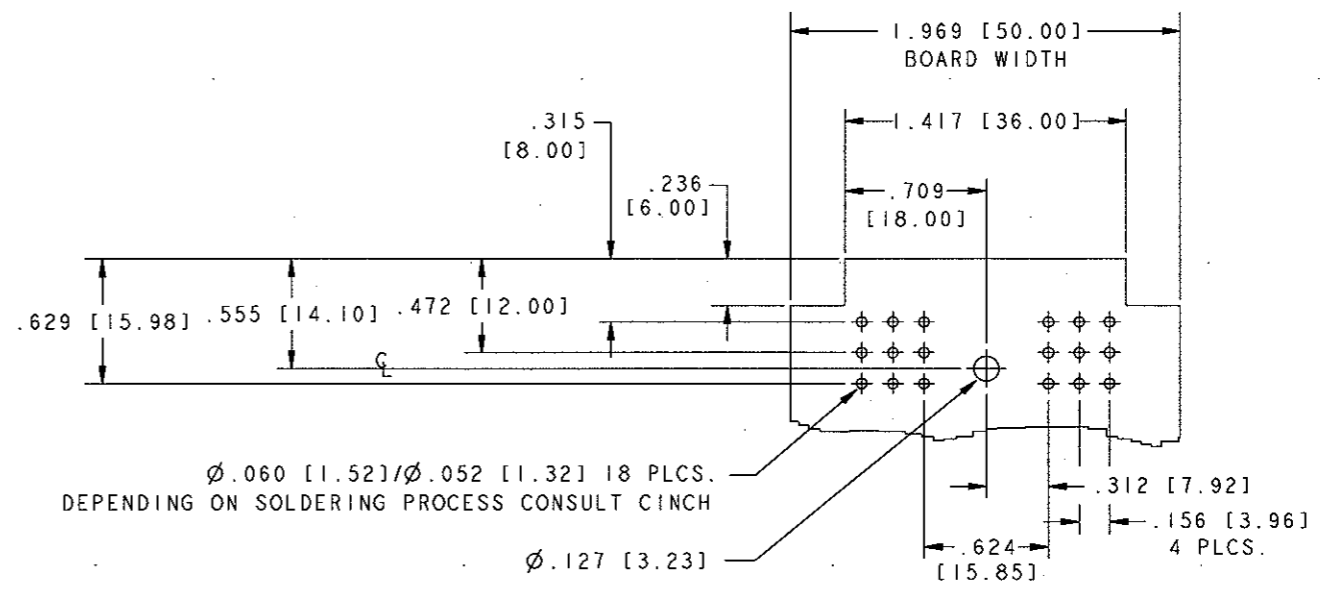


POLARIZATION "A"
MATES WITH CINCH P/N 581 01 18 023

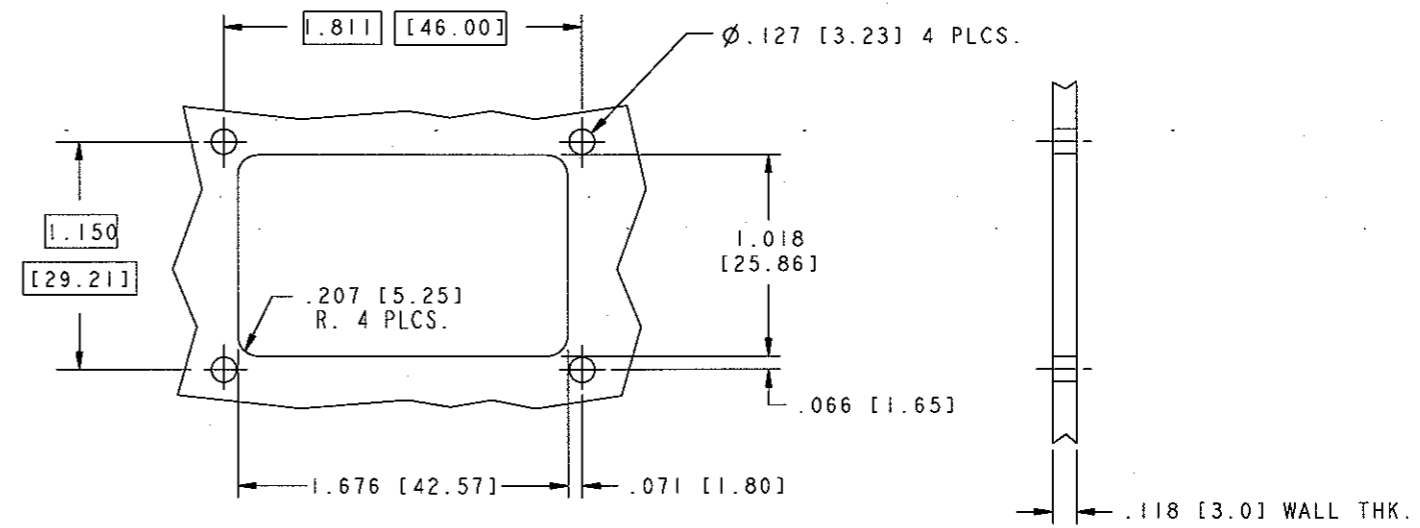
581 01 18 012 (NATURAL)



POLARIZATION "B"
MATES WITH CINCH P/N 581 01 18 024



RECOMMENDED PC BOARD LAYOUT



MOUNTING HOLE-MODULE CASE OPENING

UNITS ENGLISH	Cinch		1700 FINLEY RD LOMBARD, IL. 60148
DO NOT SCALE DRAWING	TITLE CONNECTOR ASSEMBLY, RECEPTACLE 18 POSITION (WITHOUT FERRITES)		
	PRO/E DRAWING		
THIS DOCUMENT IS THE PROPERTY OF CINCH. NEITHER THIS DOCUMENT NOR ANY OF THE INFORMATION CONTAINED IN IT MAY BE DUPLICATED OR DISCLOSED WITHOUT PRIOR WRITTEN CONSENT OF CINCH.	CAD FILE NUMBER 5810118011S	DRAWING NUMBER 581 01 18 011S	REV B
	CAGE IDENT NO. 71785	SCALE 1.000	SHEET 2 OF 2

8 7 6 5 4 3 2 1