



Chipsmall Limited consists of a professional team with an average of over 10 year of expertise in the distribution of electronic components. Based in Hongkong, we have already established firm and mutual-benefit business relationships with customers from,Europe,America and south Asia,supplying obsolete and hard-to-find components to meet their specific needs.

With the principle of “Quality Parts,Customers Priority,Honest Operation,and Considerate Service”,our business mainly focus on the distribution of electronic components. Line cards we deal with include Microchip,ALPS,ROHM,Xilinx,Pulse,ON,Everlight and Freescale. Main products comprise IC,Modules,Potentiometer,IC Socket,Relay,Connector.Our parts cover such applications as commercial,industrial, and automotives areas.

We are looking forward to setting up business relationship with you and hope to provide you with the best service and solution. Let us make a better world for our industry!



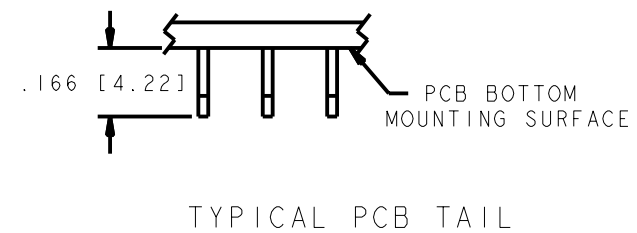
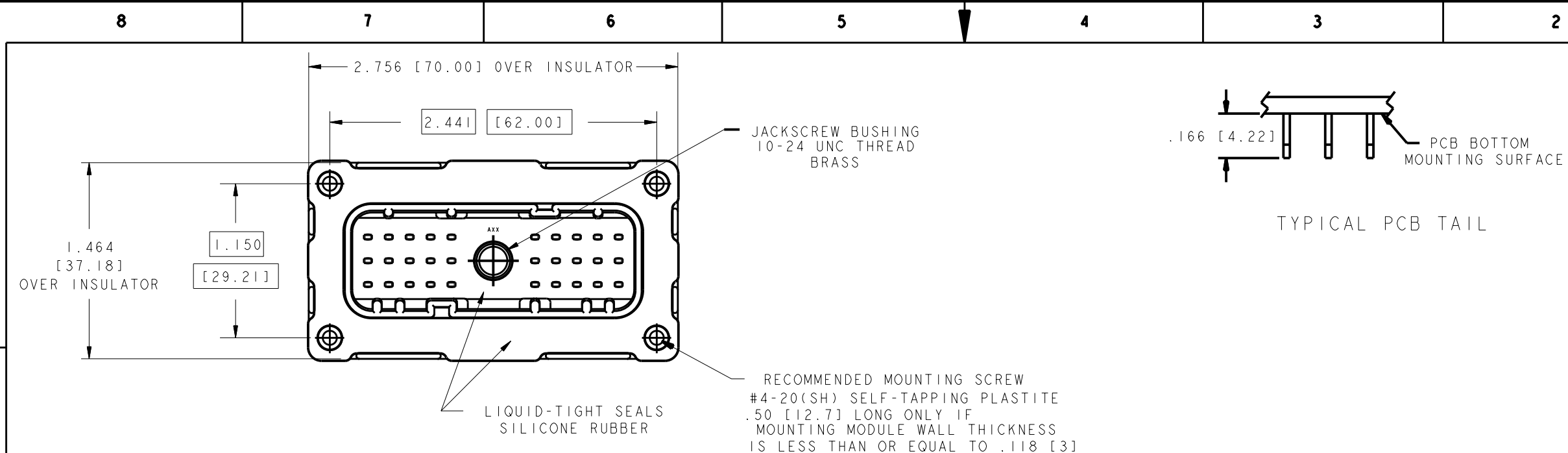
Contact us

Tel: +86-755-8981 8866 Fax: +86-755-8427 6832

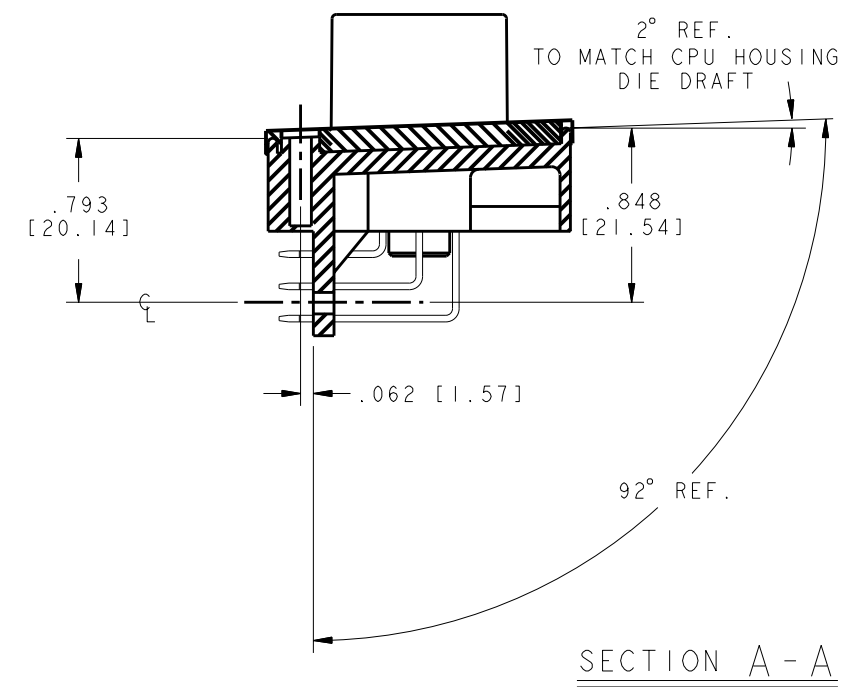
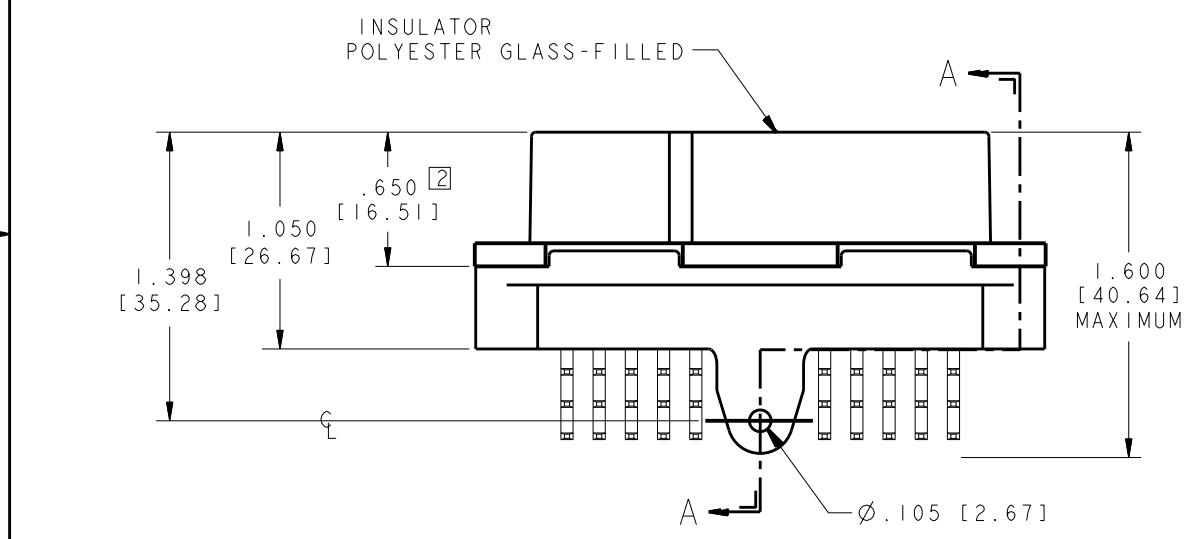
Email & Skype: info@chipsmall.com Web: www.chipsmall.com

Address: A1208, Overseas Decoration Building, #122 Zhenhua RD., Futian, Shenzhen, China





DRAWING REVISIONS			
REV	DOCUMENT	APP	DATE
A	RELEASE TO PRODUCTION D.O. #01-1406	AC	11/16/01
B	REF P/N INCORRECT PER ECN #03A498		



NOTES

- ALL DIMENSIONS IN [] ARE IN MILLIMETERS.
- .650 [16.51] TO BE MEASURED AT THE CENTER OF WIDTH OF CONNECTOR.
- TERMINAL BLADE MATERIAL: BRASS WITH TIN-LEAD OVER NICKEL PLATING.
- SOLDERABILITY MEETS USCAR 5.4.1.
- MATES WITH CINCH PUSH-TO-SEAT HARNESS CONNECTOR (SEE SHT. 2)
- STANDARD CELL PACK, QUANTITY 75 PIECES.
- RECOMMENDED TORQUE: JACKSCREW 15-20 IN-LBS [1.7-2.3Nm]
 PANEL SCREW 8.5±0.5 IN-LBS [0.9±0.1 Nm]
 PCB RETENTION SCREW 2-3 IN-LBS [0.23-0.34 Nm]

UNITS	ENGLISH	PRO/E	Cinch		MODELED BY: J. TOBACK
DO NOT SCALE DRAWING	DRAWN BY J. TOBACK	DATE 11/16/01	TITLE CONNECTOR ASSEMBLY, RECEPTACLE 30 POSITION (WITHOUT FERRITES)		
	DESIGN ENGINEER J. TOBACK	11/16/01	MATERIAL		CONTROL SPEC NUMBER
	DESIGN ENGINEERING MGR. A. CAINES	11/16/01	MATERIAL SPEC NUMBER	FINISH	PROJECT NUMBER CI3841
THIS DOCUMENT IS THE PROPERTY OF CINCH. NEITHER THIS DOCUMENT NOR ANY OF THE INFORMATION CONTAINED IN IT MAY BE DUPLICATED OR DISCLOSED WITHOUT PRIOR WRITTEN CONSENT OF CINCH.	MFG. ENGINEERING P. WALTHALL	12/06/01	CAD FILE NUMBER 5810130011S	DRAWING NUMBER 581 01 30 011S	
	QUALITY ASSURANCE T. SHAH	12/06/01	CAGE IDENT NO. SIZE 71785 B	SCALE 1.000	SHEET 1 OF 2

8

7

6

5

4

3

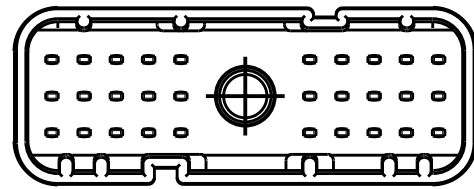
2

1

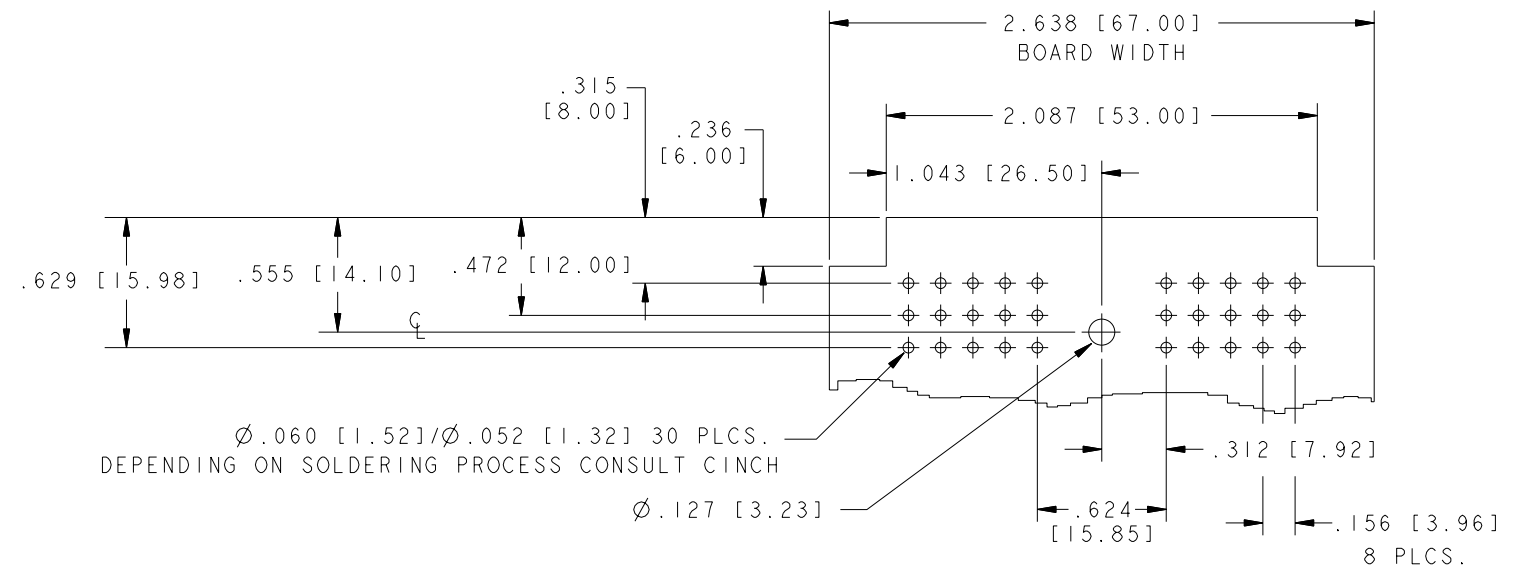
D

D

581 01 30 011 (GRAY)



POLARIZATION "A"

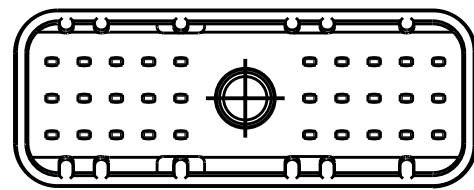


RECOMMENDED PC BOARD LAYOUT

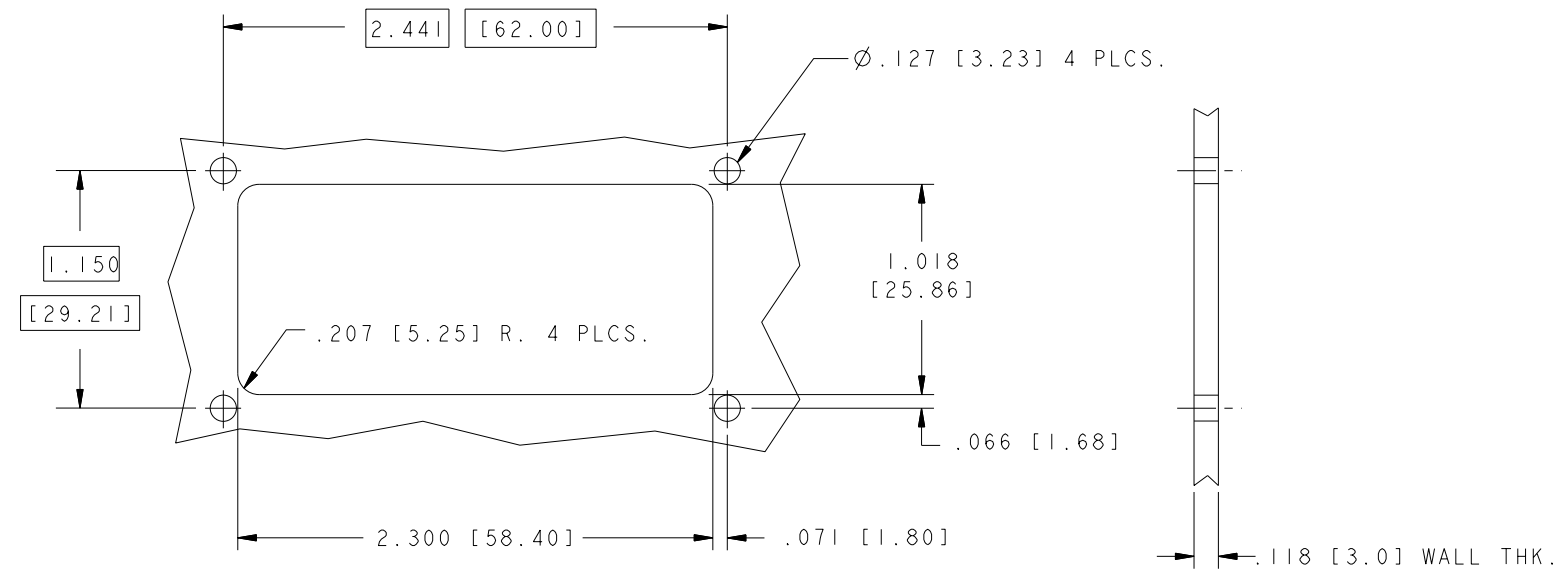
C

C

581 01 30 013 (BLACK)



POLARIZATION "B"



MOUNTING HOLE-MODULE CASE OPENING

B

B

A

UNITS ENGLISH	Cinch		1700 FINLEY RD LOMBARD, IL. 60148
DO NOT SCALE DRAWING	TITLE CONNECTOR ASSEMBLY, RECEPTACLE 30 POSITION (WITHOUT FERRITES)		
	PRO/E DRAWING		
THIS DOCUMENT IS THE PROPERTY OF CINCH. NEITHER THIS DOCUMENT NOR ANY OF THE INFORMATION CONTAINED IN IT MAY BE DUPLICATED OR DISCLOSED WITHOUT PRIOR WRITTEN CONSENT OF CINCH.	CAD FILE NUMBER 5810130011S	DRAWING NUMBER 581 01 30 011S	REV B
	CAGE IDENT NO. 71785	SCALE 1.000	SHEET 2 OF 2
	SIZE B		

8

7

6

5

4

1