



Chipsmall Limited consists of a professional team with an average of over 10 year of expertise in the distribution of electronic components. Based in Hongkong, we have already established firm and mutual-benefit business relationships with customers from,Europe,America and south Asia,supplying obsolete and hard-to-find components to meet their specific needs.

With the principle of “Quality Parts,Customers Priority,Honest Operation,and Considerate Service”,our business mainly focus on the distribution of electronic components. Line cards we deal with include Microchip,ALPS,ROHM,Xilinx,Pulse,ON,Everlight and Freescale. Main products comprise IC,Modules,Potentiometer,IC Socket,Relay,Connector.Our parts cover such applications as commercial,industrial, and automotives areas.

We are looking forward to setting up business relationship with you and hope to provide you with the best service and solution. Let us make a better world for our industry!



Contact us

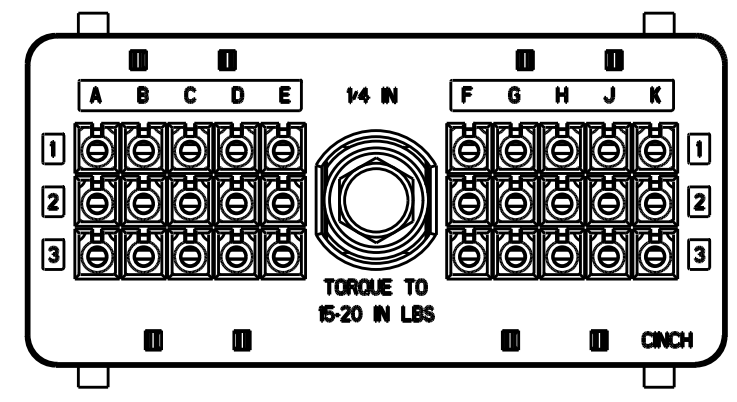
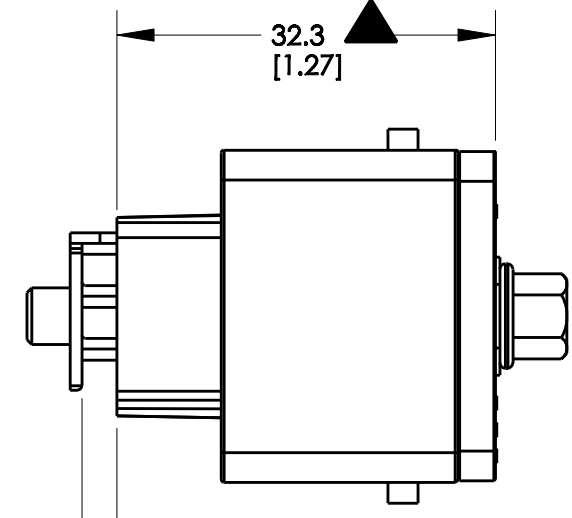
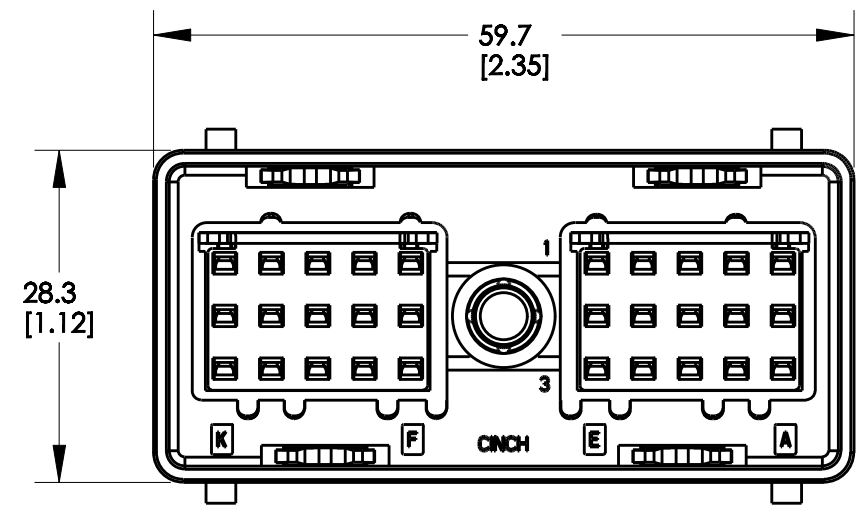
Tel: +86-755-8981 8866 Fax: +86-755-8427 6832

Email & Skype: info@chipsmall.com Web: www.chipsmall.com

Address: A1208, Overseas Decoration Building, #122 Zhenhua RD., Futian, Shenzhen, China



DRAWING REVISIONS (RELEASE DATE ON FILE)			
REV	DOCUMENT	APP	APPROVAL DATE
E	PER CO # 851	V.R.	02/09/10



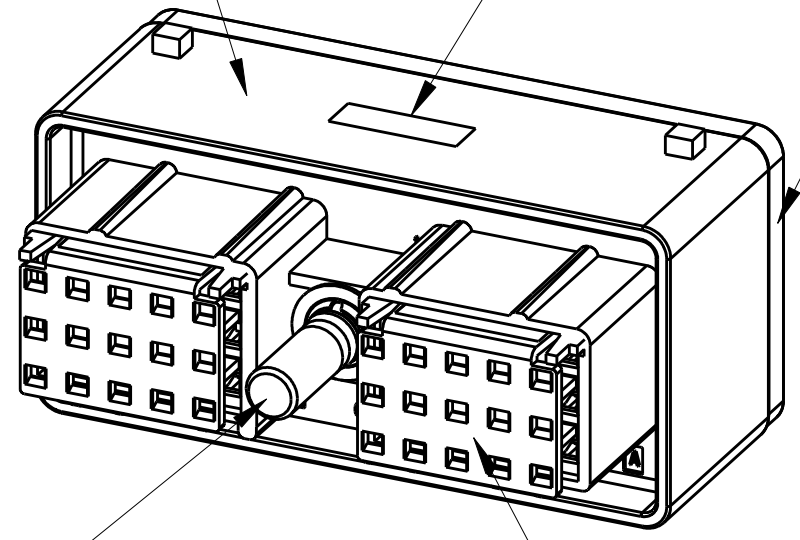
REAR VIEW

2.6 REF
[.10]
SECONDARY LOCK SHIPPED
IN PRE-STAGED POSITION

INSULATOR COLOR: WHITE
(POLYIMIDE BASED
ALLOY GLASS-FILLED)

DATE CODE

BACK PLATE
COLOR: NATURAL (WHITE)
(GLASS-FILLED POLYESTER)



SECONDARY LOCK
COLOR: WHITE
(GLASS-FILLED POLYESTER)

JACKSCREW, STEEL
10-24 UNC THREAD
(YELLOW TRIVALENT CHROMATE)

NOTES:

1. ALL DIMENSIONS ARE IN MILLIMETERS. DIMENSIONS IN [] ARE IN INCHES.
2. FOR WIRE SIZE APPLICATION, CONSULT FACTORY.
3. FEMALE TERMINAL ORDERED SEPARATELY: 425 00 00 873/872.
4. MATES WITH CINCH HEADER CONNECTOR (CONSULT FACTORY).
5. SEAL PLUG ORDERED SEPARATELY: 581 00 00 011.
6. TOLERANCES UNLESS OTHERWISE SPECIFIED:
.X ±0.5
.XX ±0.25
7. SEALING RANGE FOR WIRE INSULATION DIA.:
MAX 2.64MM (.104"), MIN 1.96MM (.077").
8. A TRIANGLE "▲" INDICATES CRITICAL FUNCTION DIMENSION.}
9. IF TIE-WRAP DRESSING CONDUCTORS, CINCH RECOMMENDS A SPACING }
OF NO LESS THAN 2 INCHES BEHIND THE BACK PLATE.

UNITS METRIC		DESIGN ENGINEER PRO/E A. CAINES		DATE 05/03/01		MODELED BY: J. DRYE	
DO NOT SCALE DRAWING <small>UNLESS OTHERWISE SPECIFIED: ALL DIMENSIONS ARE IN mm</small>		APPROVALS ON FILE		TITLE CINCH CONNECTOR ASSEMBLY SOCKET 30 POSITION		1700 FINLEY RD LOWBARD, IL 60148	
CONFIDENTIAL <small>THIS DOCUMENT IS THE PROPERTY OF CINCH. NEITHER THIS DOCUMENT NOR ANY OF THE INFORMATION CONTAINED IN IT MAY BE DUPLICATED OR DISCLOSED WITHOUT PRIOR WRITTEN CONSENT OF CINCH. ©COPYRIGHT 2010 CINCH</small>				MATERIAL SEE VIEW		CONTROL SPEC NUMBER POLAR D	
				MATERIAL SPEC NUMBER -		PROJECT NUMBER A14243	
CAGE IDENT NO. 71785		SIZE B		DRAWING NUMBER 5810130030S		SCALE 1.500	
				SHEET 1 OF 1			