



Chipsmall Limited consists of a professional team with an average of over 10 year of expertise in the distribution of electronic components. Based in Hongkong, we have already established firm and mutual-benefit business relationships with customers from,Europe,America and south Asia,supplying obsolete and hard-to-find components to meet their specific needs.

With the principle of “Quality Parts,Customers Priority,Honest Operation,and Considerate Service”,our business mainly focus on the distribution of electronic components. Line cards we deal with include Microchip,ALPS,ROHM,Xilinx,Pulse,ON,Everlight and Freescale. Main products comprise IC,Modules,Potentiometer,IC Socket,Relay,Connector.Our parts cover such applications as commercial,industrial, and automotives areas.

We are looking forward to setting up business relationship with you and hope to provide you with the best service and solution. Let us make a better world for our industry!



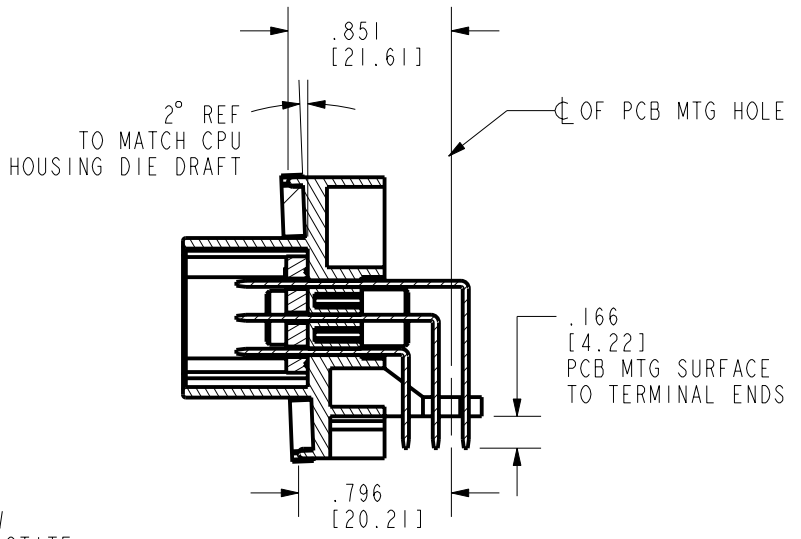
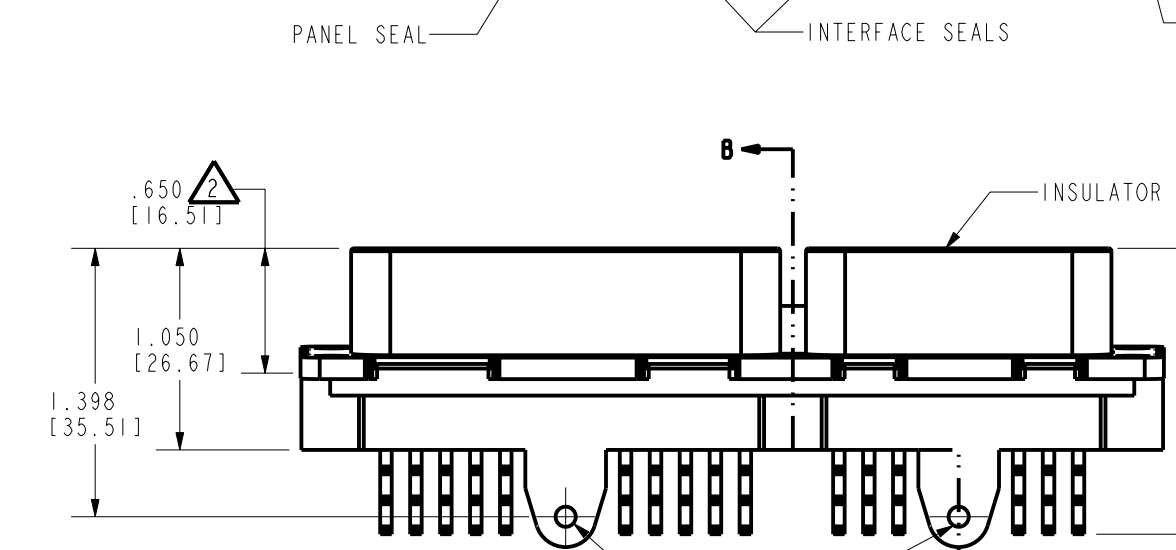
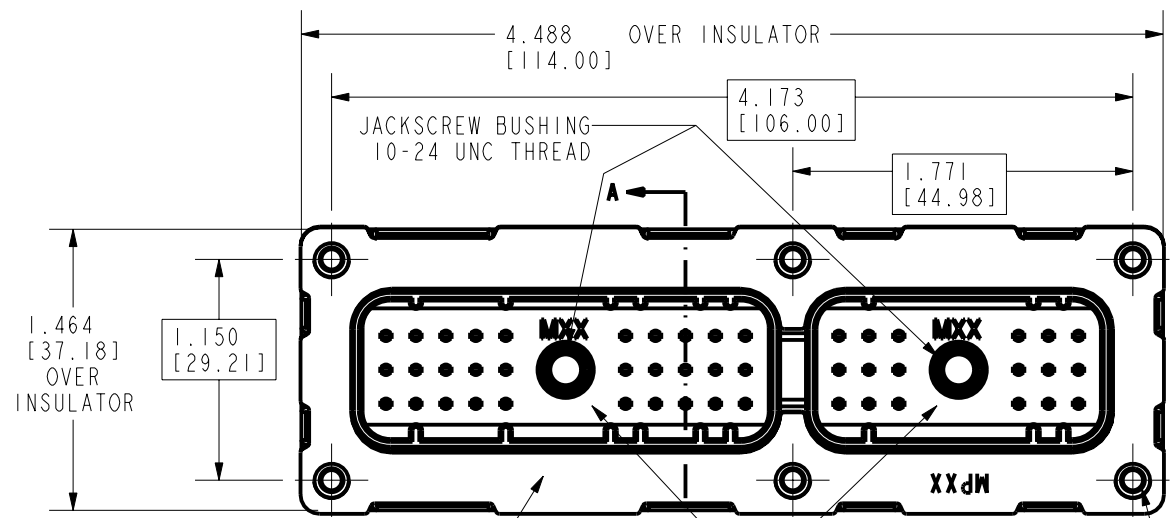
## Contact us

Tel: +86-755-8981 8866 Fax: +86-755-8427 6832

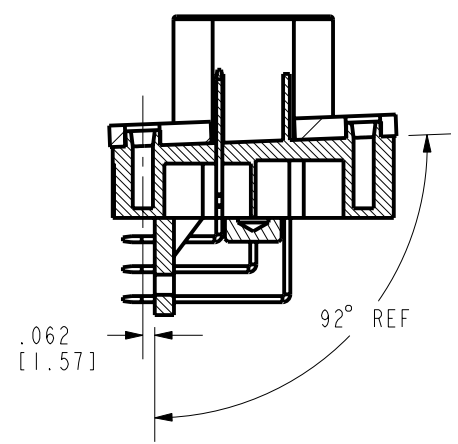
Email & Skype: info@chipsmall.com Web: www.chipsmall.com

Address: A1208, Overseas Decoration Building, #122 Zhenhua RD., Futian, Shenzhen, China





SECTION A-A



SECTION B-B

RECOMMENDED MOUNTING SCREW #4-20(SH) SELF-TAPPING PLASTITE .50[12.7] ONLY IF MOUNTING MODULE WALL THICKNESS IS LESS THAN OR EQUAL TO .118[3]

RECOMMENDED MOUNTING SCREW #4 SELF-TAPPING PLASTITE

**NOTES:**

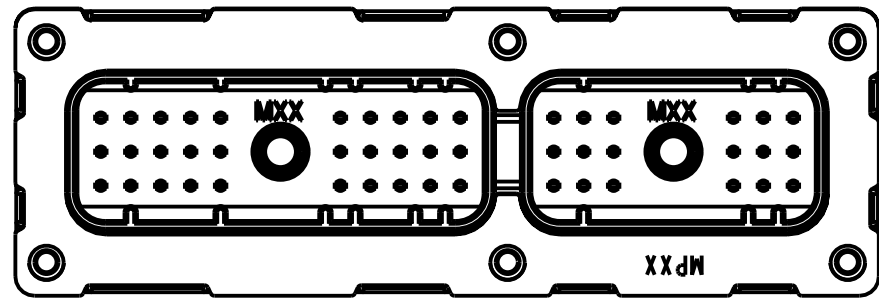
- ALL DIMENSIONS IN [ ] ARE IN MILLIMETERS.
- .650 [16.51] TO BE MEASURED AT THE CENTER OF WIDTH OF CONNECTOR.
- MATERIAL:  
 TERMINAL BLADE: BRASS WITH TIN-LEAD OVER NICKEL PLATING.  
 JACKSCREW BUSHING: BRASS, UNPLATED.  
 INSULATOR: 30% GLASS FILLED PBT POLYESTER.  
 PANEL SEAL: SILICON RUBBER COLOR: BLUE.  
 INTERFACE SEAL: SILICON RUBBER COLOR: BLUE.
- SOLDERABILITY MEETS USCAR 5.4.1.
- MATES WITH CINCH PUSH-TO SEAT HARNESS CONNECTOR (CONSULT FACTORY).
- STANDARD CELL PACK, QUANTITY 75 PIECES.
- RECOMMENDED TORQUE:  
 JACKSCREW 15-20 INLBS [1.7-2.3 Nm]  
 PANEL SCREW 8.5±0.5 INLBS [0.9±0.1 Nm]  
 PCB RETENTION SCREW 2-3 INLBS [0.23-0.34 Nm]

**DRAWING REVISIONS**

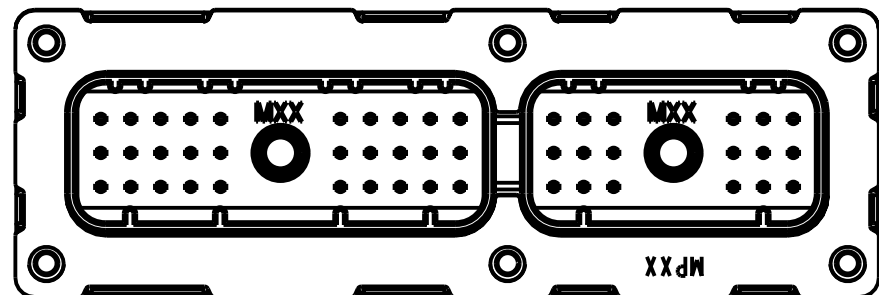
REV	DOCUMENT	APP	DATE
A	RELEASED	AC	11/16/01

MODELED BY:  
J. DRYE

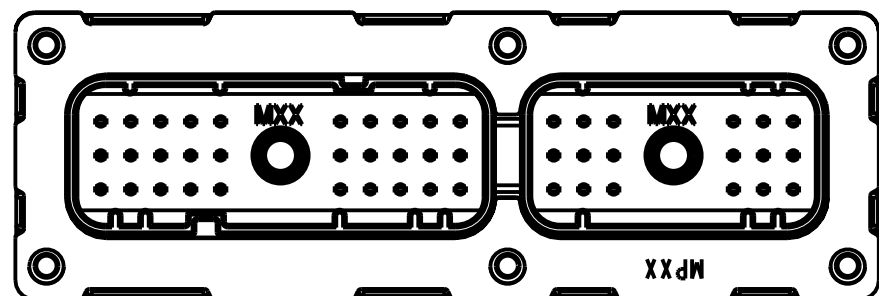
UNITS	ENGLISH	PRO/E	Cinch		1700 FINLEY RD LOMBARD, IL. 60148
DO NOT SCALE DRAWING	DRAWN BY J. TOBACK	DATE 11/16/01	TITLE CONNECTOR ASSEMBLY, RECEPTACLE 48 POSITION		
	DESIGN ENGINEER J. TOBACK	11/16/01	MATERIAL		CONTROL SPEC NUMBER
	DESIGN ENGINEERING MGR. A. CAINES	11/16/01	MATERIAL SPEC NUMBER	FINISH	PROJECT NUMBER C13184
THIS DOCUMENT IS THE PROPERTY OF CINCH. NEITHER THIS DOCUMENT NOR ANY OF THE INFORMATION CONTAINED IN IT MAY BE DUPLICATED OR DISCLOSED WITHOUT PRIOR WRITTEN CONSENT OF CINCH.	MFG. ENGINEERING P. WALTHALL	12/06/01	CAD FILE NUMBER 5810148011S	DRAWING NUMBER <b>581 01 48 011S</b>	
	QUALITY ASSURANCE T. SHAH	12/06/01	CAGE IDENT NO. SIZE 71785 B	SCALE 1:1	SHEET 1 OF 2



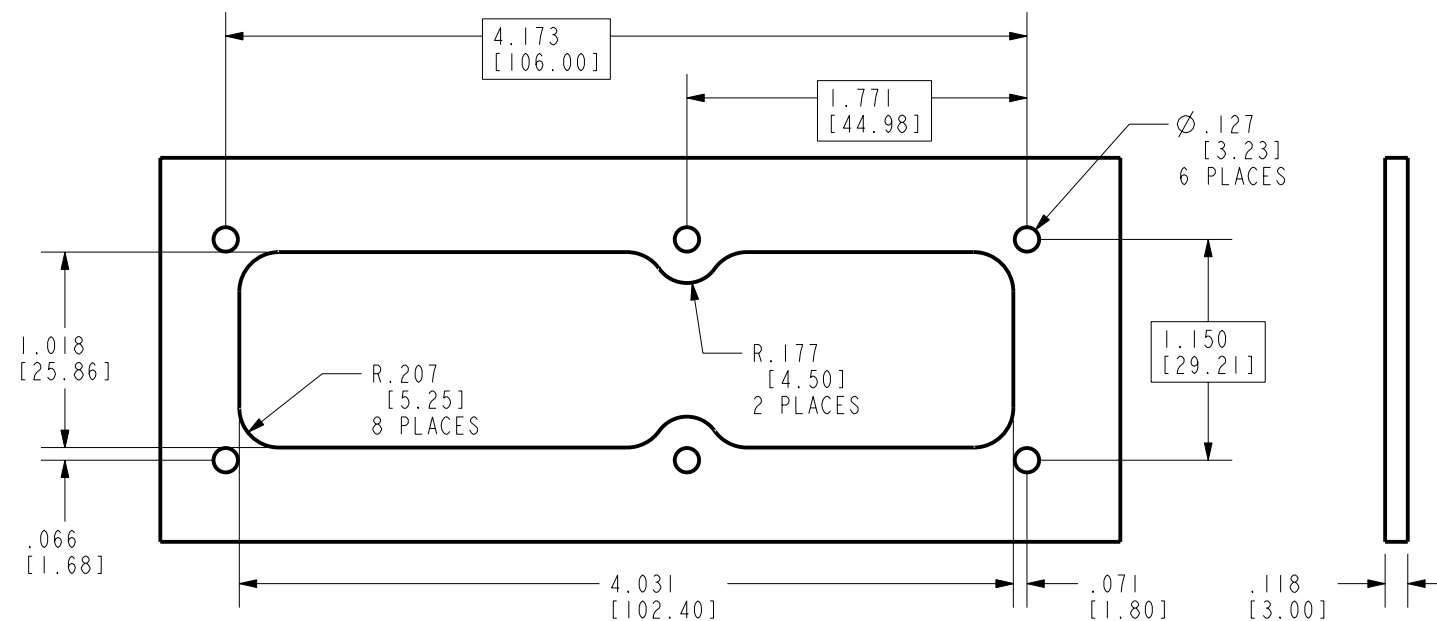
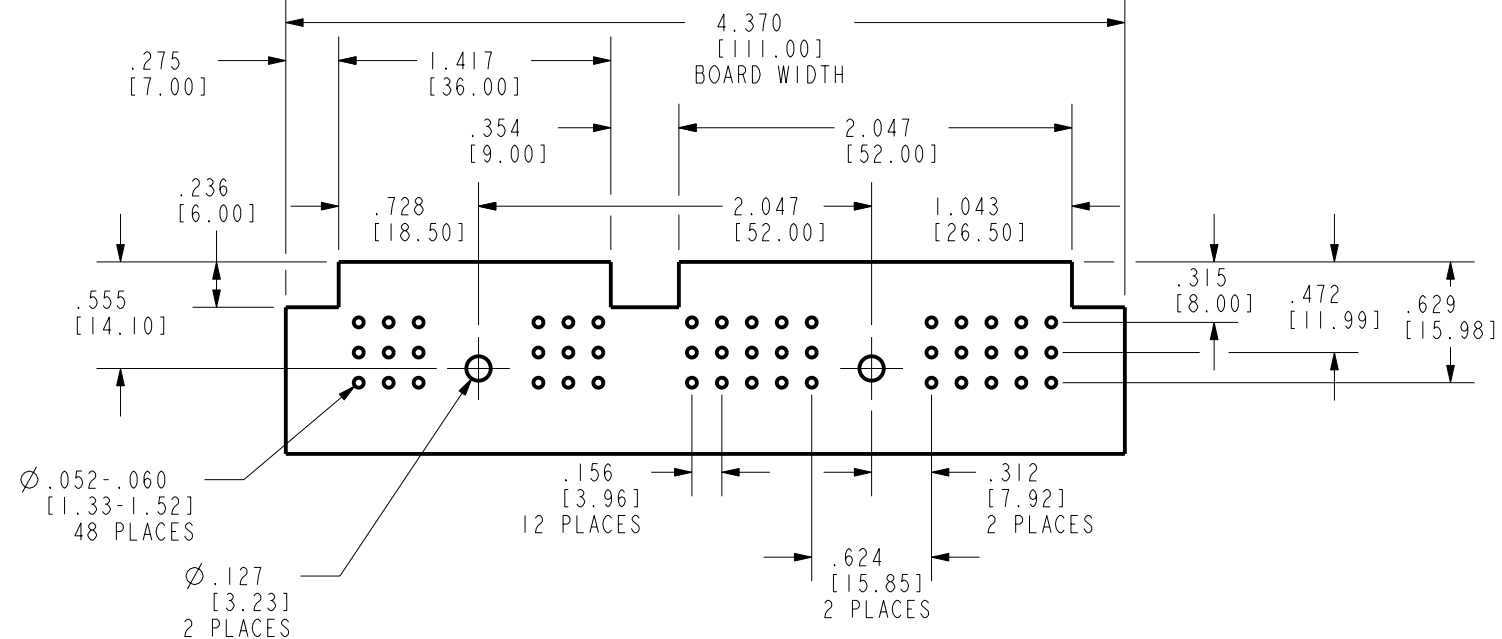
**POLARIZATION A**  
581 01 48 011  
HOUSING COLOR : BLACK



**POLARIZATION B**  
581 01 48 012  
HOUSING COLOR : NATURAL



**POLARIZATION C**  
581 01 48 013  
HOUSING COLOR : GRAY



UNITS <b>ENGLISH</b>	<b>Cinch</b>		1700 FINLEY RD LOMBARD, IL. 60148
DO NOT SCALE DRAWING	TITLE CONNECTOR ASSEMBLY, RECEPTACLE 48 POSITION		
	<b>PRO/E DRAWING</b>		
THIS DOCUMENT IS THE PROPERTY OF CINCH. NEITHER THIS DOCUMENT NOR ANY OF THE INFORMATION CONTAINED IN IT MAY BE DUPLICATED OR DISCLOSED WITHOUT PRIOR WRITTEN CONSENT OF CINCH.	CAD FILE NUMBER 5810148011S	DRAWING NUMBER <b>581 01 48 011S</b>	REV A
	CAGE IDENT NO. SIZE <b>71785 B</b>	SCALE 1:1	SHEET 2 OF 2