



Chipsmall Limited consists of a professional team with an average of over 10 year of expertise in the distribution of electronic components. Based in Hongkong, we have already established firm and mutual-benefit business relationships with customers from,Europe,America and south Asia,supplying obsolete and hard-to-find components to meet their specific needs.

With the principle of "Quality Parts,Customers Priority,Honest Operation,and Considerate Service",our business mainly focus on the distribution of electronic components. Line cards we deal with include Microchip,ALPS,ROHM,Xilinx,Pulse,ON,Everlight and Freescale. Main products comprise IC,Modules,Potentiometer,IC Socket,Relay,Connector.Our parts cover such applications as commercial,industrial, and automotives areas.

We are looking forward to setting up business relationship with you and hope to provide you with the best service and solution. Let us make a better world for our industry!



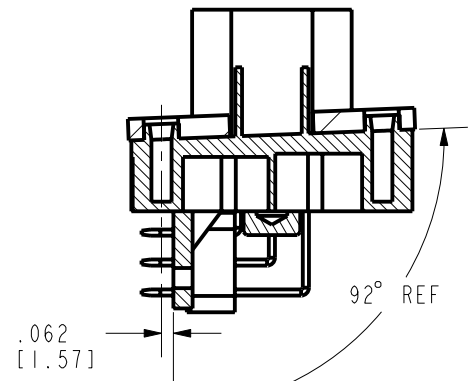
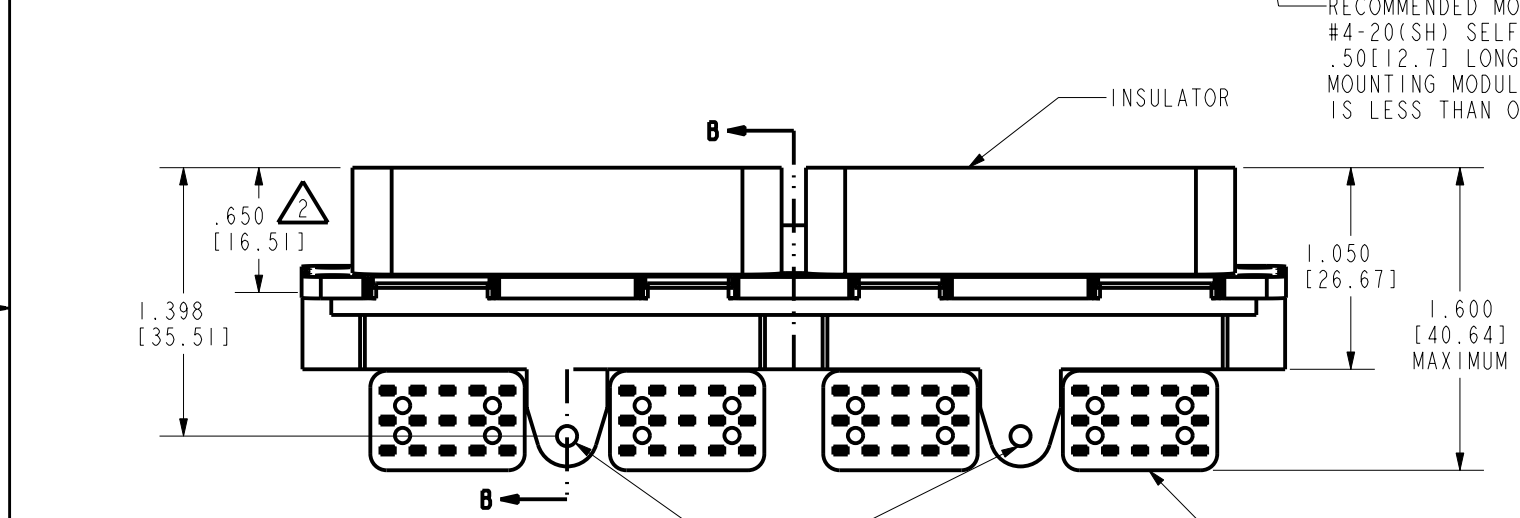
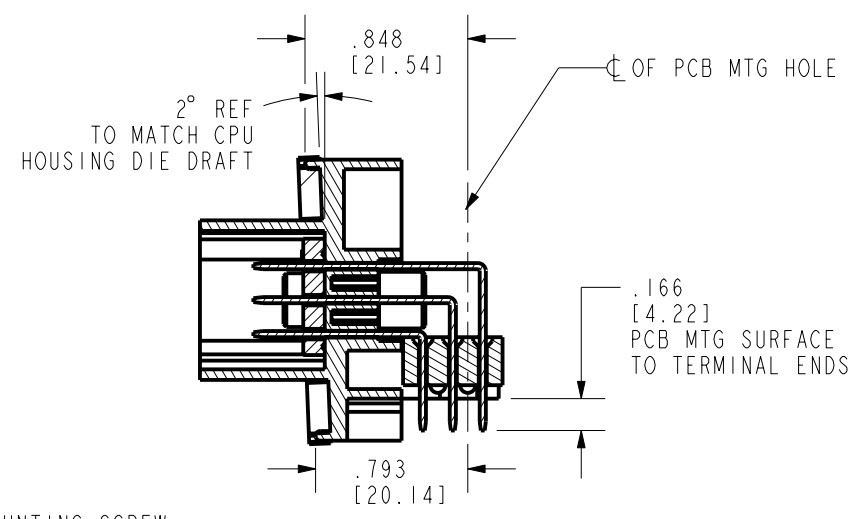
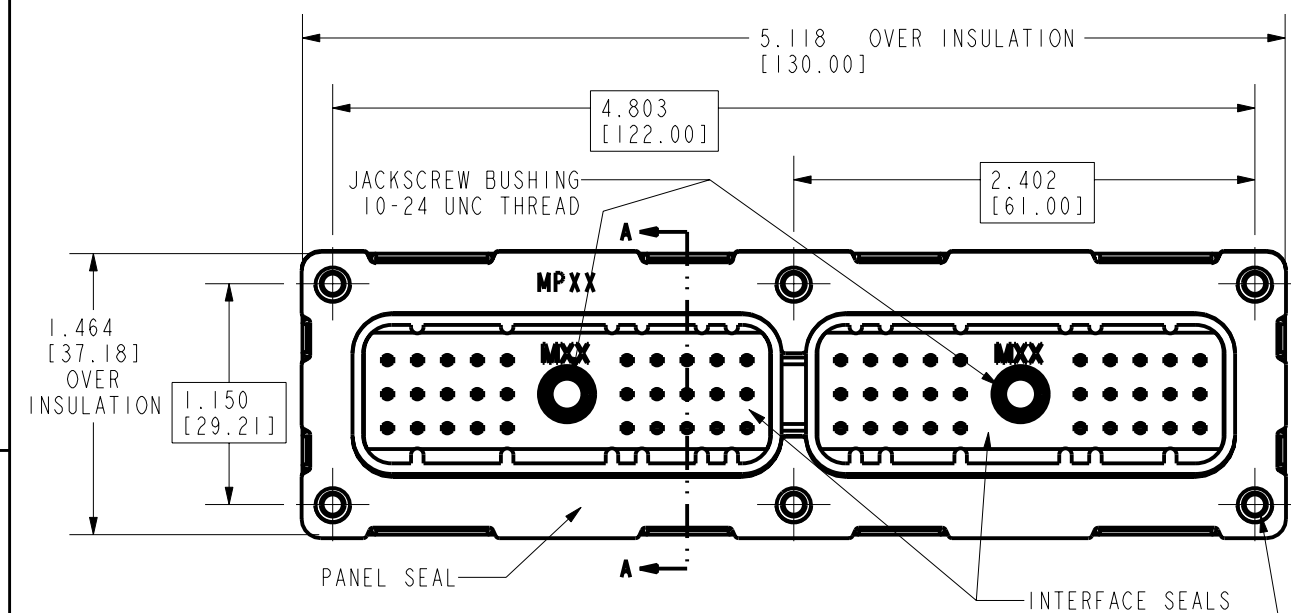
Contact us

Tel: +86-755-8981 8866 Fax: +86-755-8427 6832

Email & Skype: info@chipsmall.com Web: www.chipsmall.com

Address: A1208, Overseas Decoration Building, #122 Zhenhua RD., Futian, Shenzhen, China





RECOMMENDED MOUNTING SCREW
#4-20(SH) SELF-TAPPING PLASTITE
.50[12.7] LONG ONLY IF
MOUNTING MODULE WALL THICKNESS
IS LESS THAN OR EQUAL TO .118[3]

NOTES:

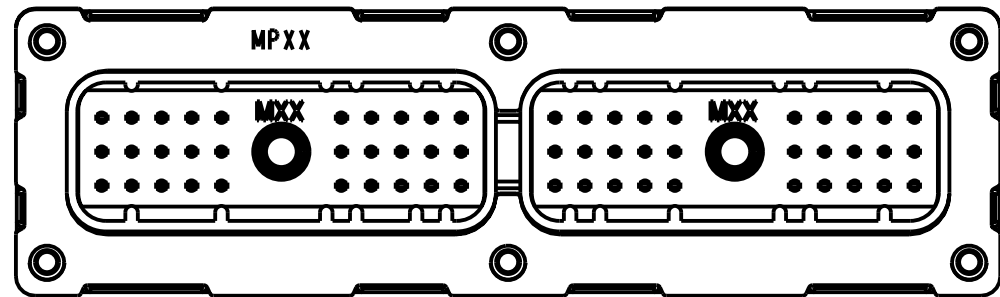
- ALL DIMENSIONS IN [] ARE IN MILLIMETERS.
- .650 [16.51] TO BE MEASURED AT THE CENTER OF WIDTH OF CONNECTOR.
- MATERIAL:
TERMINAL BLADE: BRASS WITH TIN-LEAD OVER NICKEL PLATING.
JACKSCREW BUSHING: BRASS, UNPLATED.
INSULATOR: 30% GLASS FILLED PBT POLYESTER.
PANEL SEAL: SILICON RUBBER COLOR: BLUE.
INTERFACE SEAL: SILICON RUBBER COLOR: BLUE.
- SOLDERABILITY MEETS USCAR 5.4.1.
- MATES WITH CINCH PUSH-TO SEAT HARNESS CONNECTOR (CONSULT FACTORY).
- STANDARD CELL PACK, QUANTITY 75 PIECES.
- RECOMMENDED TORQUE:
JACKSCREW 15-20 INLBS [1.7-2.3 Nm]
PANEL SCREW 8.5±0.5 INLBS [0.9±0.1 Nm]
PCB RETENTION SCREW 2-3 INLBS [0.23-0.34 Nm]

DRAWING REVISIONS			
REV	DOCUMENT	APP	DATE
D	ADDED: ONLY IF... CHG: PANEL SCREW... PER ECN #01A683		

MODELED BY:
J. DRYE

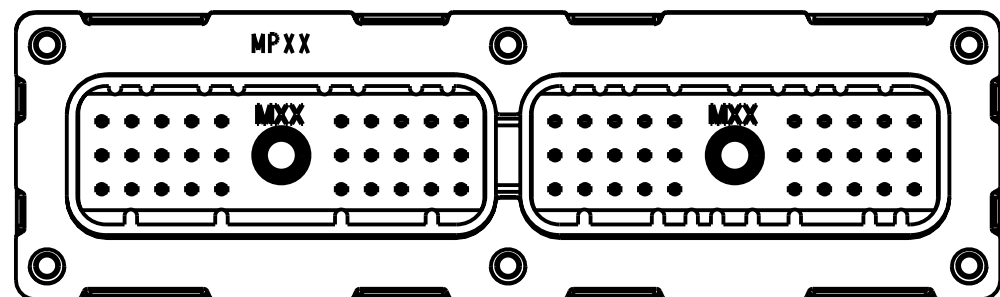
UNITS	ENGLISH	PRO/E	Cinch	
DO NOT SCALE DRAWING	DRAWN BY T. RANDAZZO	DATE 07/16/93	TITLE CONNECTOR ASSEMBLY, RECEPTACLE 60 POSITION	
	DESIGN ENGINEER T. RANDAZZO	07/16/93	MATERIAL	CONTROL SPEC NUMBER
	DESIGN ENGINEERING MGR. A. SHAH	05/17/94	MATERIAL SPEC NUMBER	PROJECT NUMBER C13184
	MFG. ENGINEERING J. ROUSSEAU	05/17/94	CAD FILE NUMBER 5810160001S	DRAWING NUMBER 581 01 60 001S
	QUALITY ASSURANCE R. SCHLACKS	05/18/94	CAGE IDENT NO. SIZE 71785 B	SCALE 1.000
THIS DOCUMENT IS THE PROPERTY OF CINCH. NEITHER THIS DOCUMENT NOR ANY OF THE INFORMATION CONTAINED IN IT MAY BE DUPLICATED OR DISCLOSED WITHOUT PRIOR WRITTEN CONSENT OF CINCH.			SHEET 1 OF 2	

1700 FINLEY RD
LOMBARD, IL. 60148



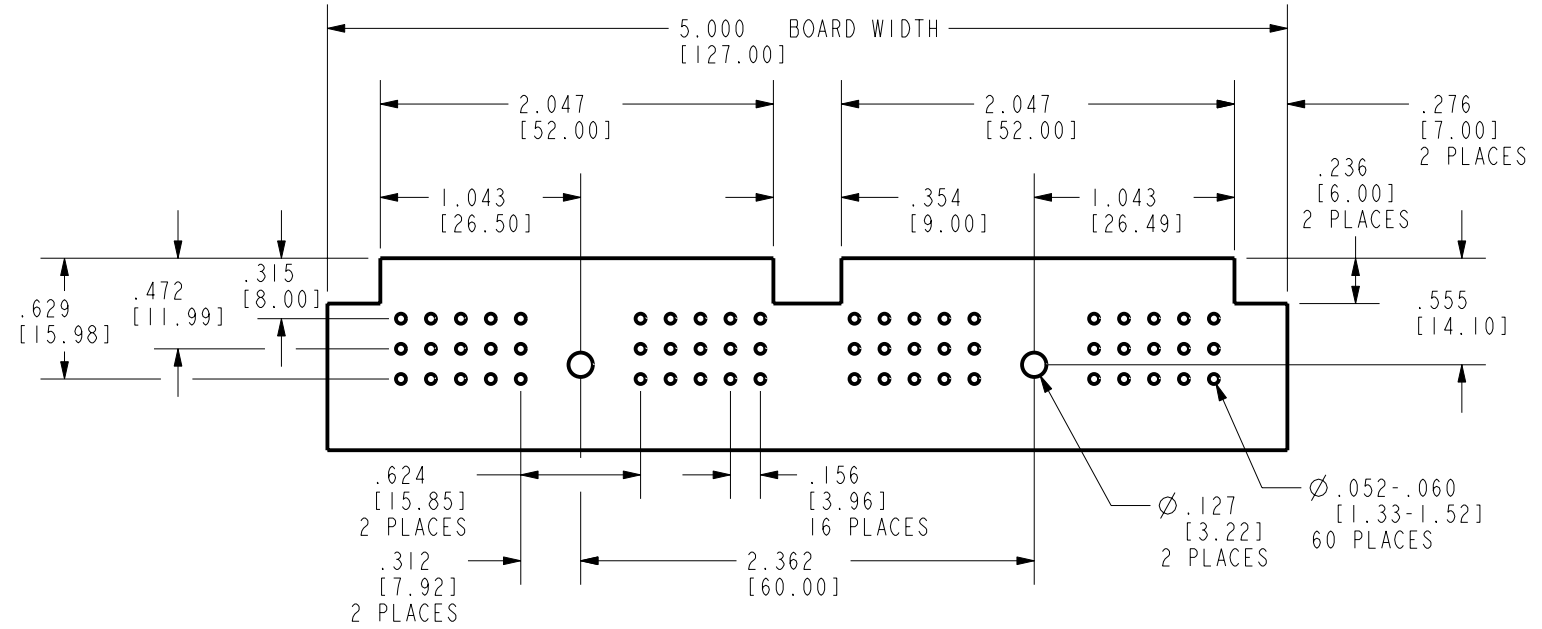
POLARIZATION A

581 01 60 001
HOUSING COLOR : BLACK



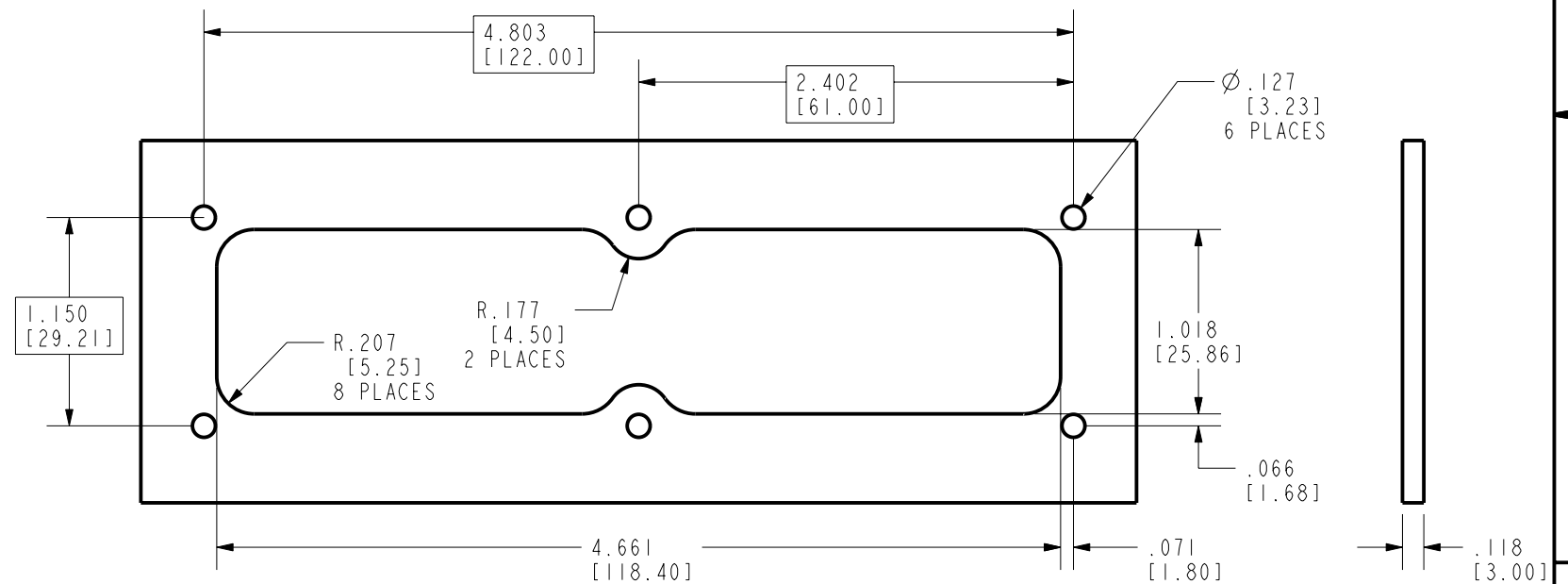
POLARIZATION B

581 01 60 002
HOUSING COLOR : NATURAL, WHITE



RECOMMENDED PC BOARD LAYOUT

SCALE 1.000



MOUNTING HOLE-MODULE CASE OPENING

SCALE 1.000

UNITS ENGLISH	Cinch		1700 FINLEY RD LOMBARD, IL. 60148
DO NOT SCALE DRAWING	TITLE CONNECTOR ASSEMBLY, RECEPTACLE 60 POSITION		
	PRO/E DRAWING		
THIS DOCUMENT IS THE PROPERTY OF CINCH. NEITHER THIS DOCUMENT NOR ANY OF THE INFORMATION CONTAINED IN IT MAY BE DUPLICATED OR DISCLOSED WITHOUT PRIOR WRITTEN CONSENT OF CINCH.	CAD FILE NUMBER 5810160001S	DRAWING NUMBER 581 01 60 001S	REV D
	CAGE IDENT NO. SIZE 71785 B	SCALE 1.000	SHEET 2 OF 2