



Chipsmall Limited consists of a professional team with an average of over 10 year of expertise in the distribution of electronic components. Based in Hongkong, we have already established firm and mutual-benefit business relationships with customers from,Europe,America and south Asia,supplying obsolete and hard-to-find components to meet their specific needs.

With the principle of “Quality Parts,Customers Priority,Honest Operation,and Considerate Service”,our business mainly focus on the distribution of electronic components. Line cards we deal with include Microchip,ALPS,ROHM,Xilinx,Pulse,ON,Everlight and Freescale. Main products comprise IC,Modules,Potentiometer,IC Socket,Relay,Connector.Our parts cover such applications as commercial,industrial, and automotives areas.

We are looking forward to setting up business relationship with you and hope to provide you with the best service and solution. Let us make a better world for our industry!



## Contact us

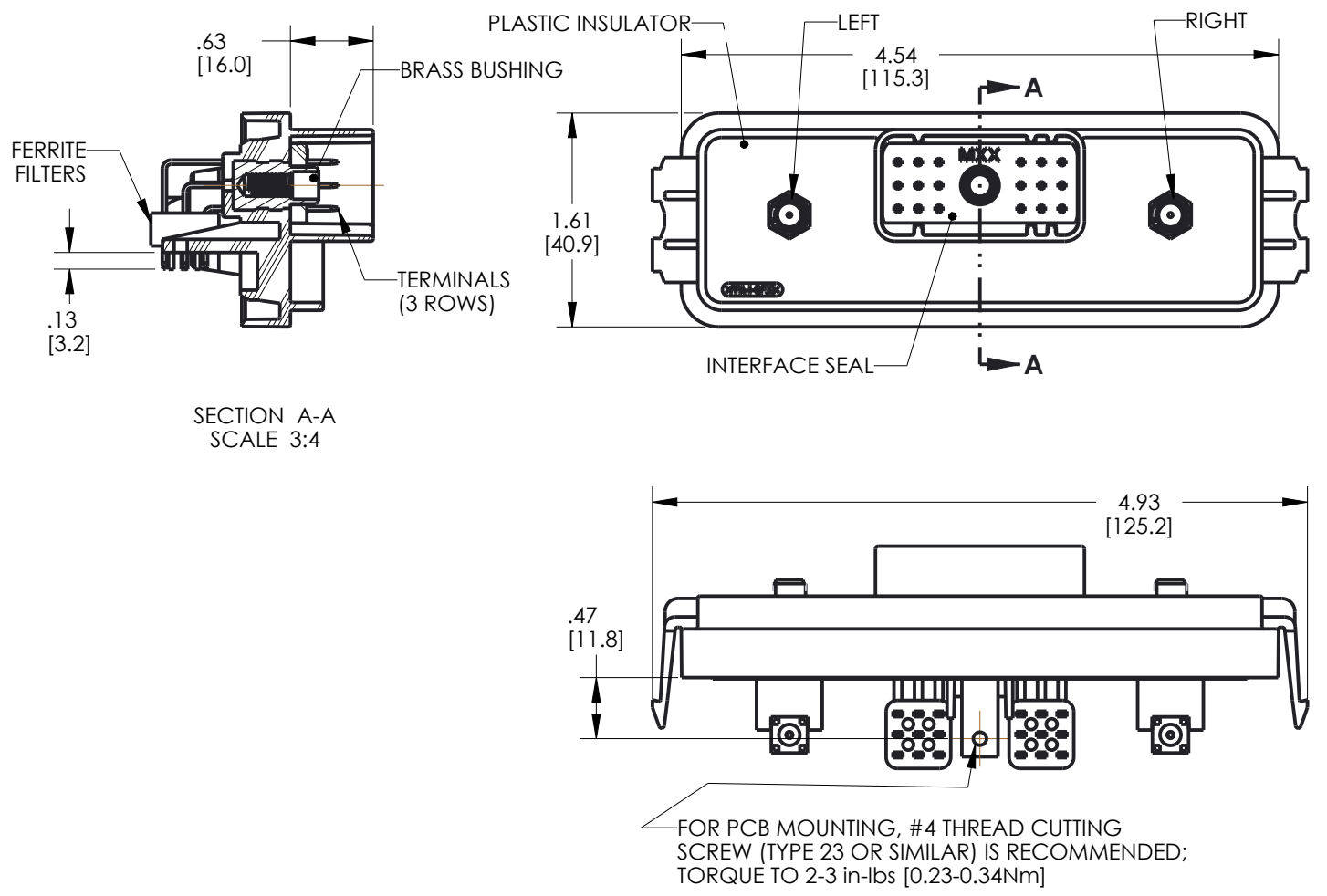
Tel: +86-755-8981 8866 Fax: +86-755-8427 6832

Email & Skype: info@chipsmall.com Web: www.chipsmall.com

Address: A1208, Overseas Decoration Building, #122 Zhenhua RD., Futian, Shenzhen, China



DRAWING REVISIONS (RELEASE DATE ON FILE)			
REV	DOCUMENT	APP	APPROVAL DATE
E	CO 3274	V.RICE	7/18/16



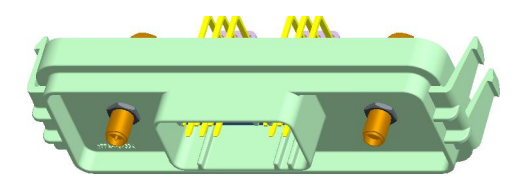
SECTION A-A  
SCALE 3:4

**CINCH P/N: 5810618002 SHOWN  
(18 POS HEADER WITH FILTERS)**

RP SMA = REVERSE POLARITY SMA SMA = STANDARD POLARITY SMA LEFT                                  RIGHT	HEADER	I/O	FERRITE	LEFT RF	RIGHT RF
	5810618001	18	NO	RP SMA	SMA
	5810618002	18	YES	RP SMA	SMA
	5810618003	18	NO	N/A	SMA
	5810618004	18	YES	N/A	SMA
	5810618005	18	NO	RP SMA	N/A
	5810618006	18	YES	RP SMA	N/A
	5810618007	18	NO	RP SMA	RP SMA
	5810618008	18	YES	RP SMA	RP SMA
	5810618009	18	NO	SMA	SMA
	5810618010	18	YES	SMA	SMA

**NOTES:**

1. ALL DIMENSIONS ARE REFERENCE ONLY. DIMENSIONS ARE IN INCHES; [BRACKETED DIMENSIONS ARE IN mm]
2. MATERIALS:  
 INSULATOR: 30% GLASS FILLED POLYMER, COLOR BLACK  
 SMA: BODY: BRASS, NICKEL PLATED  
 CONTACT: PHOSPHOR BRONZE, GOLD PLATING OVER NICKEL  
 INSULATOR: PTFE  
 INTERFACE SEAL: SILICONE RUBBER, COLOR BLUE  
 INSULATOR: 30% GLASS FILLED POLYMER, COLOR BLACK  
 BUSHING: BRASS ALLOY, UNPLATED, 10-24 UNC THREAD  
 TERMINAL BLADES: 1.5 mm BRASS WITH TIN OVER NICKEL PLATING  
 FILTERS: FERRITE BLOCKS
3. ALL HEADERS ARE REFLOW OR WAVE SOLDERING PROCESS COMPATIBLE, AND ROHS COMPLIANT
4. SUGGESTED PCB THICKNESS: .062 [1.57]
5. IF USING FERRITE FILTER VERSION, TRACES SHOULD BE AVOIDED UNDER THE FERRITE SPACER FEET. SEE "PCB TOP SIDE PIN AREA WITH FERRITES DETAIL" - PAGE 2.
6. MATES WITH CINCH SHS PUSH-TO-SEAT HARNESS CONNECTOR P/N: 5810118023
7. TORQUE SCREW OF MATING CONNECTOR TO 15 - 20 in-lbs [1.69 - 2.26 Nm]



SCALE 1:2

MODELED BY:  
V. RICE

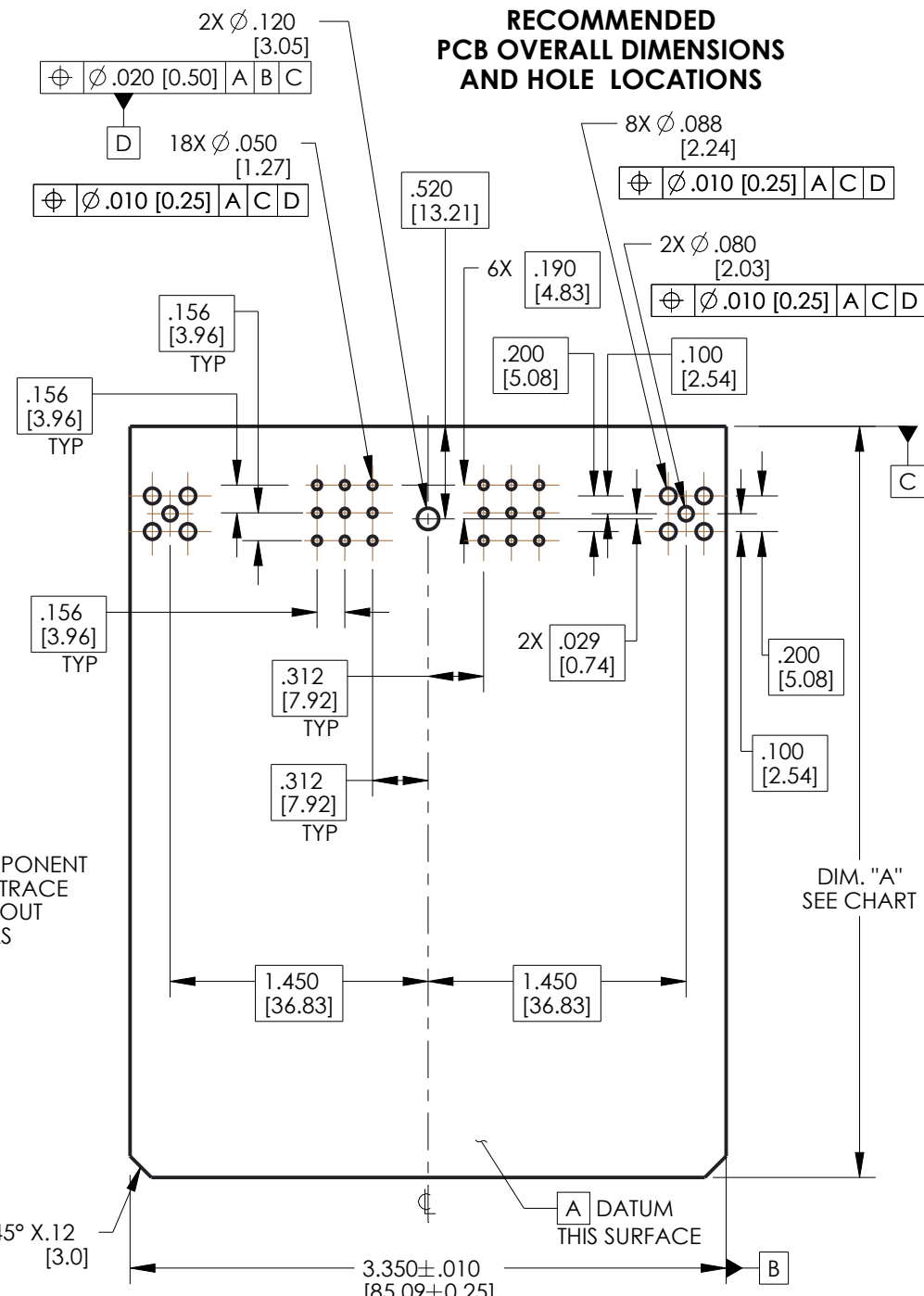
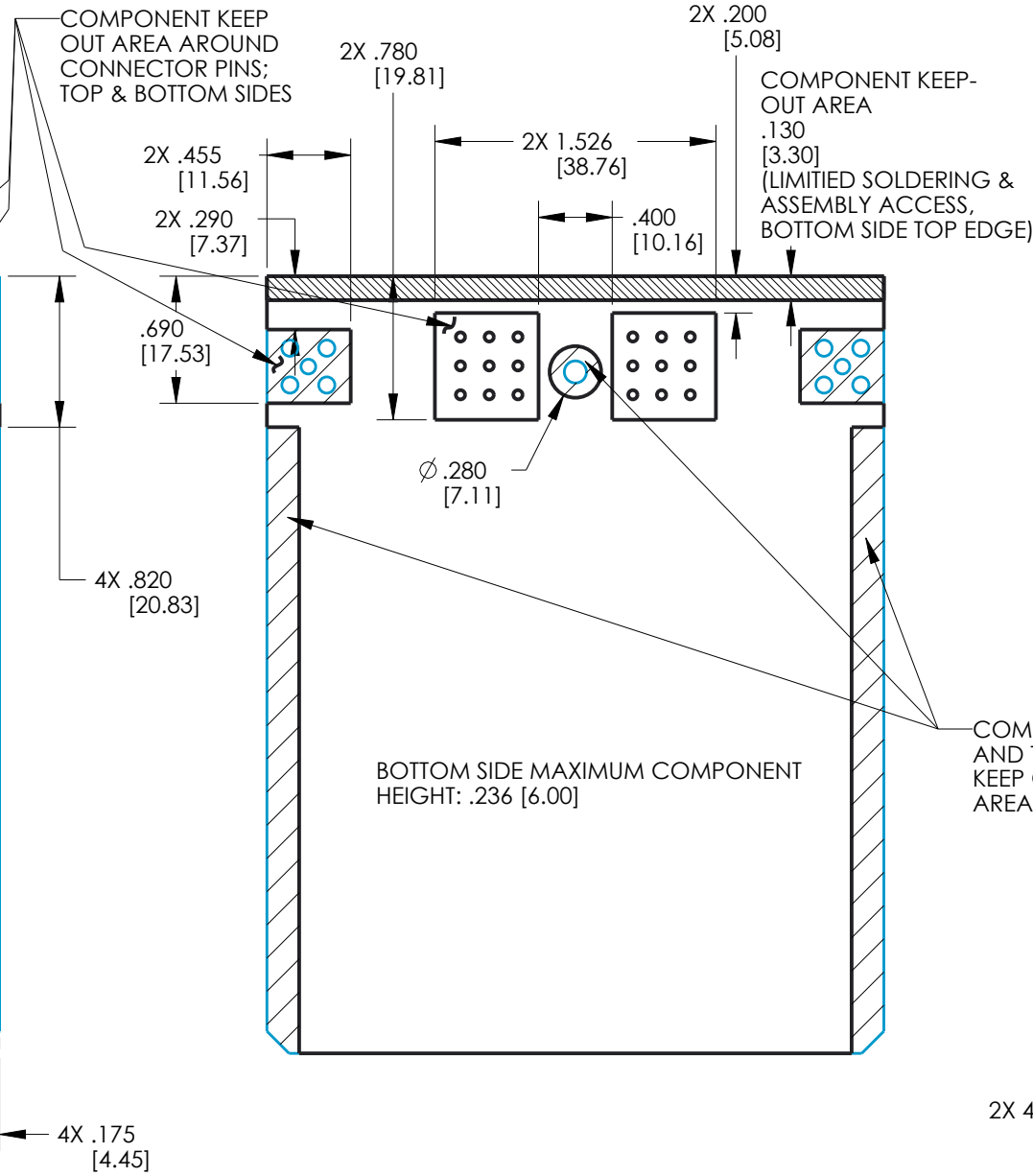
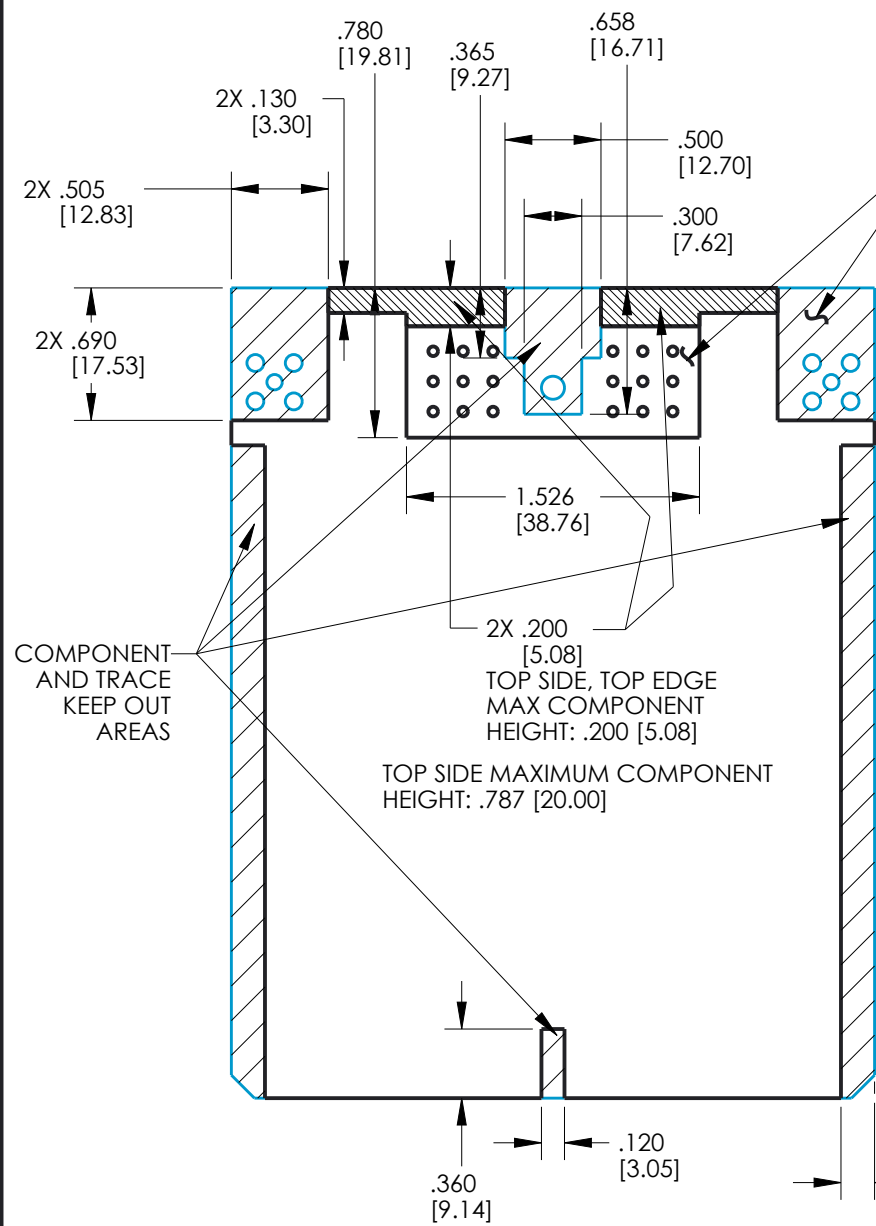
UNITS <b>ENGLISH INCHES</b>		PRO/E		<b>CINCH</b>		1700 FINLEY RD LOMBARD, IL 60148	
DO NOT SCALE DRAWING		DESIGN ENGINEER V. RICE	DATE 5/16/12	TITLE MODICE ME-RF 18-WAY / SMA HEADER ASSEMBLY			
APPROVALS ON FILE				MATERIAL SEE NOTES		CONTROL SPEC NUMBER	
				MATERIAL SPEC NUMBER		PROJECT NUMBER A15085	
				CAD FILE NUMBER 5810618001S		DRAWING NUMBER <b>5810618001S</b>	
				CAGE IDENT NO. 71785		SIZE B	
		SCALE 1:1		SHEET 1 OF 2			

**CONFIDENTIAL**  
THIS DOCUMENT IS THE PROPERTY OF CINCH. NEITHER THIS DOCUMENT NOR ANY OF THE INFORMATION CONTAINED IN IT MAY BE DUPLICATED OR DISCLOSED WITHOUT PRIOR WRITTEN CONSENT OF CINCH. ©COPYRIGHT 2009 CINCH

**RECOMMENDED  
TOP SIDE  
PCB GENERAL  
ZONING AND KEEP-OUT AREAS**

**RECOMMENDED  
BOTTOM SIDE  
PCB GENERAL  
ZONING AND KEEP-OUT AREAS**

**RECOMMENDED  
PCB OVERALL DIMENSIONS  
AND HOLE LOCATIONS**



COMPONENT AND TRACE KEEP OUT AREAS

TOP SIDE MAXIMUM COMPONENT HEIGHT: .787 [20.00]

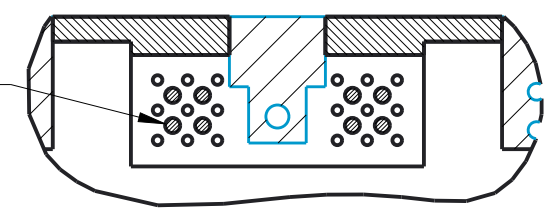
BOTTOM SIDE MAXIMUM COMPONENT HEIGHT: .236 [6.00]

COMPONENT AND TRACE KEEP OUT AREAS

DIM. "A" SEE CHART

A DATUM THIS SURFACE

FERRITE SPACER FEET TRACE KEEP OUT AREAS (8 PLACES) SEE NOTE 5



**PCB TOP SIDE PIN AREA WITH FERRITES DETAIL**

**RECOMMENDED PCB LENGTH**

DIM. "A" (SEE DRAWING)	USE WITH ENCLOSURE	
	PART NUMBER	DESCRIPTION
4.220±0.015 [107.19±0.38]	581 01 30 065	ME
	581 01 30 075	ME WITH BREATHER
2.520±0.015 [64.01±0.38]	581 01 30 090	MINI ME
	581 01 30 095	MINI ME WITH BREATHER

UNITS <b>ENGLISH INCHES</b>	<b>CINCH</b>		1700 FINLEY RD LOMBARD, IL. 60148
DO NOT SCALE DRAWING	TITLE MODICE ME-RF 18-WAY / SMA HEADER ASSEMBLY		
<b>PRO/E DRAWING</b>			
CONFIDENTIAL THIS DOCUMENT IS THE PROPERTY OF CINCH. NEITHER THIS DOCUMENT NOR ANY OF THE INFORMATION CONTAINED IN IT MAY BE DUPLICATED OR DISCLOSED WITHOUT PRIOR WRITTEN CONSENT OF CINCH. ©COPYRIGHT 2009 CINCH	CAD FILE NUMBER 5810618001S	DRAWING NUMBER <b>5810618001S</b>	REV E
	CAGE IDENT NO. 71785	SIZE B	SCALE 1:1
		SHEET 2 OF 2	