



Chipsmall Limited consists of a professional team with an average of over 10 year of expertise in the distribution of electronic components. Based in Hongkong, we have already established firm and mutual-benefit business relationships with customers from,Europe,America and south Asia,supplying obsolete and hard-to-find components to meet their specific needs.

With the principle of “Quality Parts,Customers Priority,Honest Operation,and Considerate Service”,our business mainly focus on the distribution of electronic components. Line cards we deal with include Microchip,ALPS,ROHM,Xilinx,Pulse,ON,Everlight and Freescale. Main products comprise IC,Modules,Potentiometer,IC Socket,Relay,Connector.Our parts cover such applications as commercial,industrial, and automotives areas.

We are looking forward to setting up business relationship with you and hope to provide you with the best service and solution. Let us make a better world for our industry!



Contact us

Tel: +86-755-8981 8866 Fax: +86-755-8427 6832

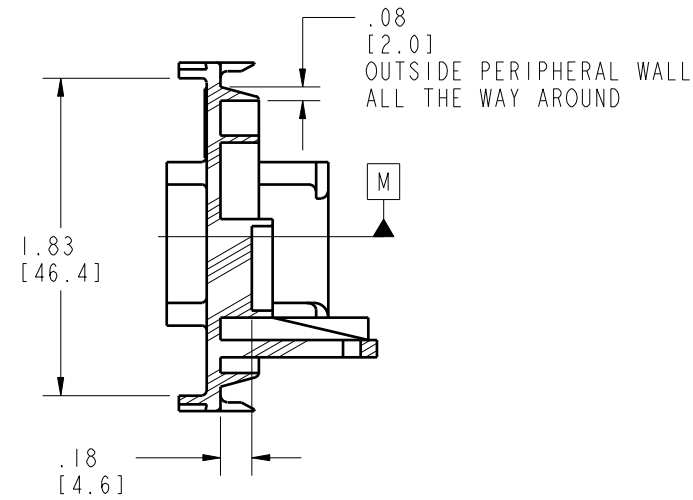
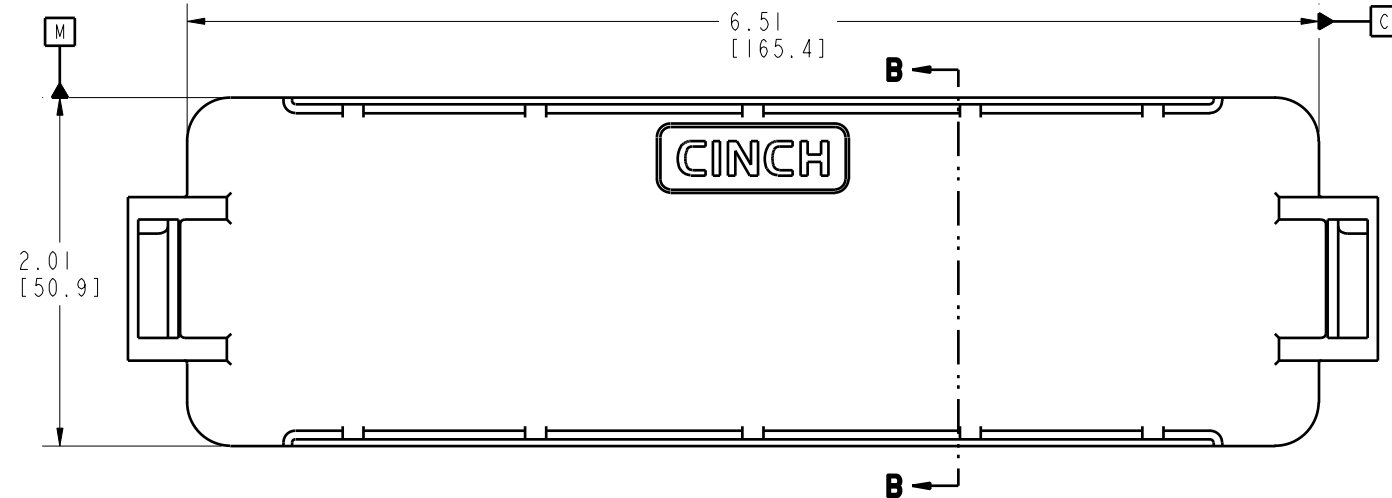
Email & Skype: info@chipsmall.com Web: www.chipsmall.com

Address: A1208, Overseas Decoration Building, #122 Zhenhua RD., Futian, Shenzhen, China

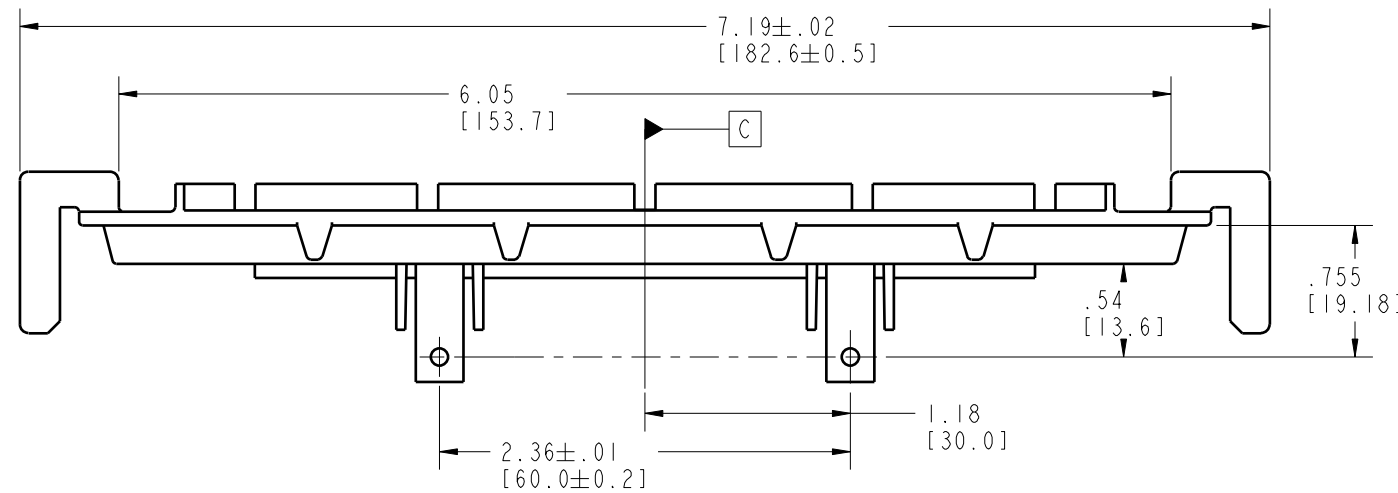


DRAWING REVISIONS

REV	DOCUMENT	APP	DATE
A	RELEASE DO 07-1065	A.C.	1/16/08

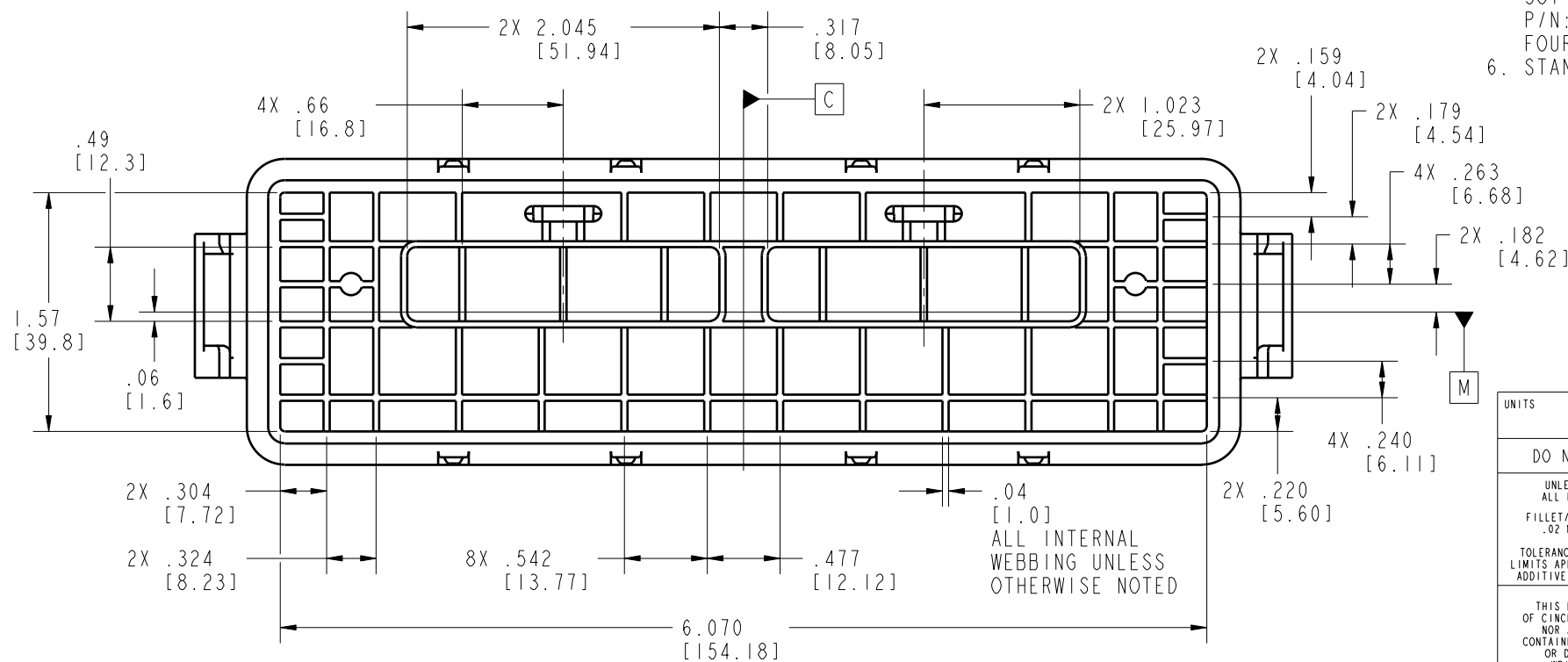


SECTION B-B



NOTES:

1. ALL DIMENSIONS ARE IN INCHES; DIMENSION INSIDE [.XX] ARE IN MM, AS REF. ONLY.
2. MATERIAL: 30 % GLASS FILLED POLYMER, COLOR: BLACK
3. ALL HEADERS ARE REFLOW OR WAVE SOLDERING PROCESS, ROHS COMPLIANT.
4. THERMALLY CONDUCTIVE ADHESIVE PASTE SOLD SEPARATELY: RECOMMENDED IS LOCTITE 383.
5. MOSFET SPRING PLATES ARE SOLD SEPARATELY (FOR INSTALLATION REFER TO ENCLOSURE ASSEMBLY INSTRUCTIONS) SPRING LABELED AS "L" IS CINCH P/N: 581 00 00 020 AND SPRING LABELED AS "R" IS CINCH P/N: 581 00 00 021. (IT IS RECOMMENDED THAT THE FOUR SLOTS BE PROTECTED DURING CONFORMAL COATING)
6. STANDARD PACKAGE SIZE: 36 PARTS/CARTON BOX.



RoHS COMPLIANT

MODELED BY:

UNITS	ENGLISH	PRO/E	Cinch	
DO NOT SCALE DRAWING	DRAWN BY A. ECKHART	DATE 1/11/08	TITLE MODICE LE HEADER BLANK	
UNLESS OTHERWISE SPECIFIED: ALL DIMENSIONS ARE IN INCHES	DESIGN ENGINEER A. ECKHART	1/11/08	MATERIAL CONTROL SPEC NUMBER	
FILLET/RADII .02 MAX	DESIGN ENGINEERING MGR. A. CAINES	1/16/08	MATERIAL SPEC NUMBER	FINISH BLACK
TOLERANCES AND LIMITS APPLY OVER ADDITIVE FINISH	MFG. ENGINEERING R. GARZA	1/23/08	CAD FILE NUMBER 5810000028S	DRAWING NUMBER 581 00 00 028S
THIS DOCUMENT IS THE PROPERTY OF CINCH. NEITHER THIS DOCUMENT NOR ANY OF THE INFORMATION CONTAINED IN IT MAY BE DUPLICATED OR DISCLOSED WITHOUT PRIOR WRITTEN CONSENT OF CINCH.	QUALITY ASSURANCE D. DE LA PENA	1/28/08	CAGE IDENT NO. SIZE 71785 B	SCALE 7:8
				SHEET 1 OF 5

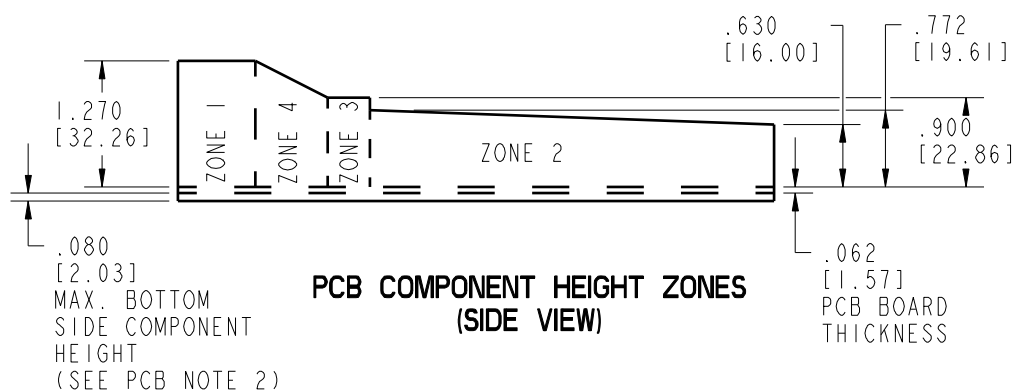
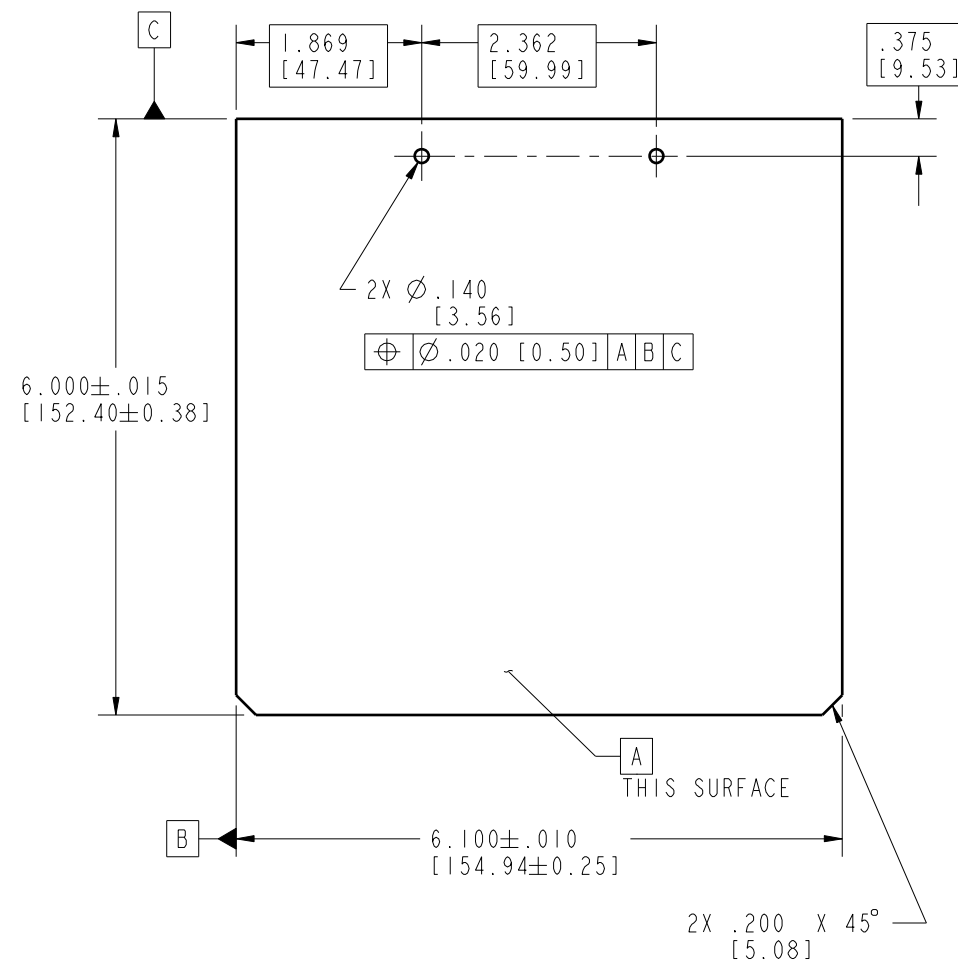
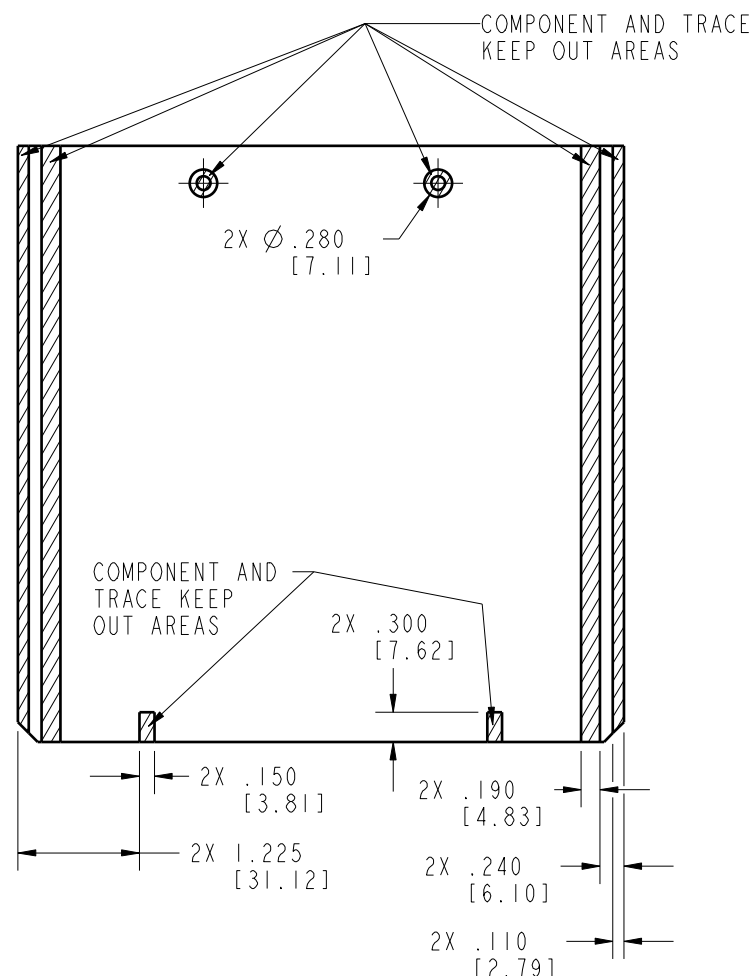
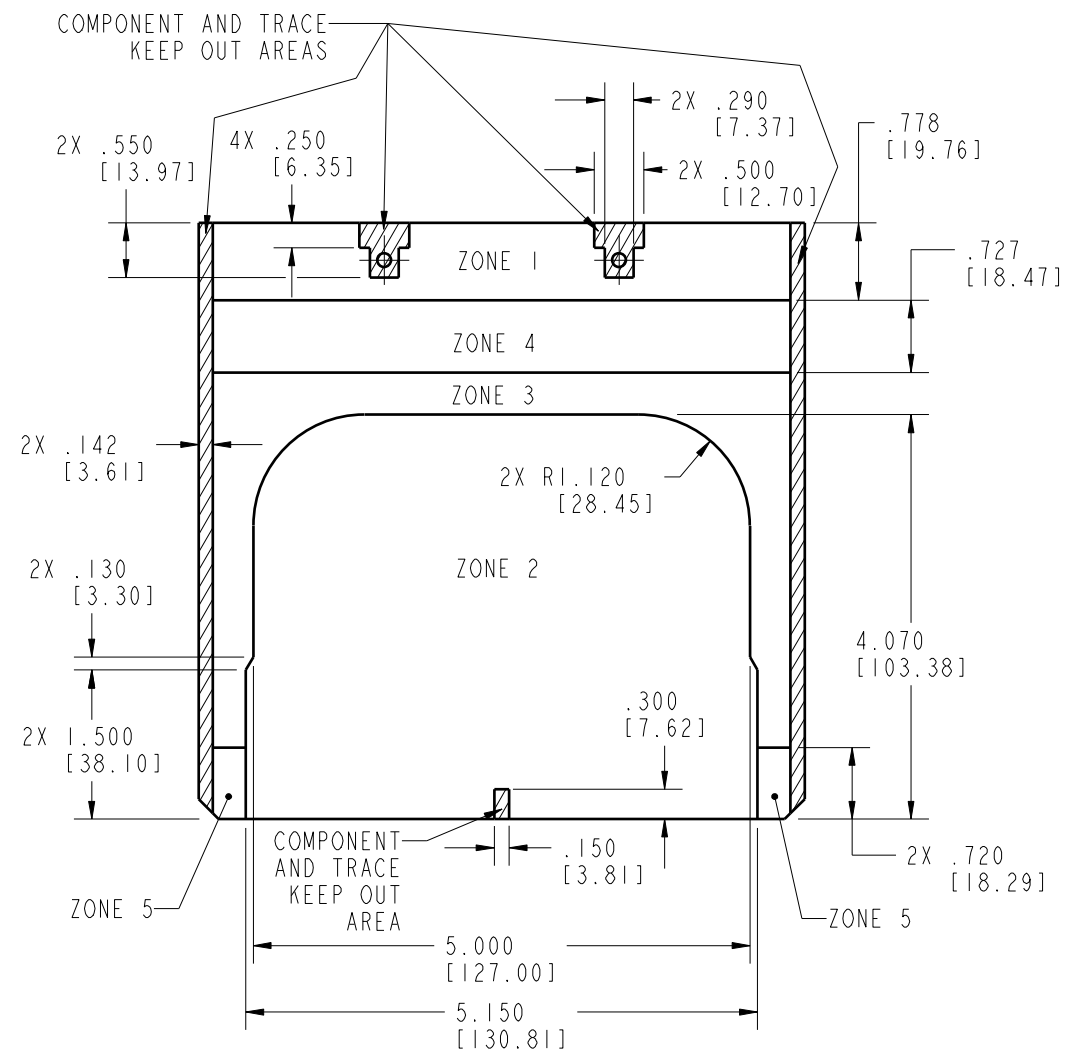
.04
[1.0]
ALL INTERNAL
WEBBING UNLESS
OTHERWISE NOTED

PCB LAYOUT WITHOUT HEAT SINKS

PCB TOP SIDE GENERAL ZONING & KEEP OUT AREAS

PCB BOTTOM SIDE GENERAL ZONING & KEEP OUT AREAS

PCB OVERALL DIMENSIONS AND HOLE LOCATIONS



PCB COMPONENTS HEIGHT LIMIT

	ZONE 1	ZONE 2	ZONE 3	ZONE 4	ZONE 5
MAX. HEIGHT FOR COMPONENTS (ABOVE PCB)	1.270"	SEE PCB NOTE 3	.900"	SEE PCB NOTE 3	.420"

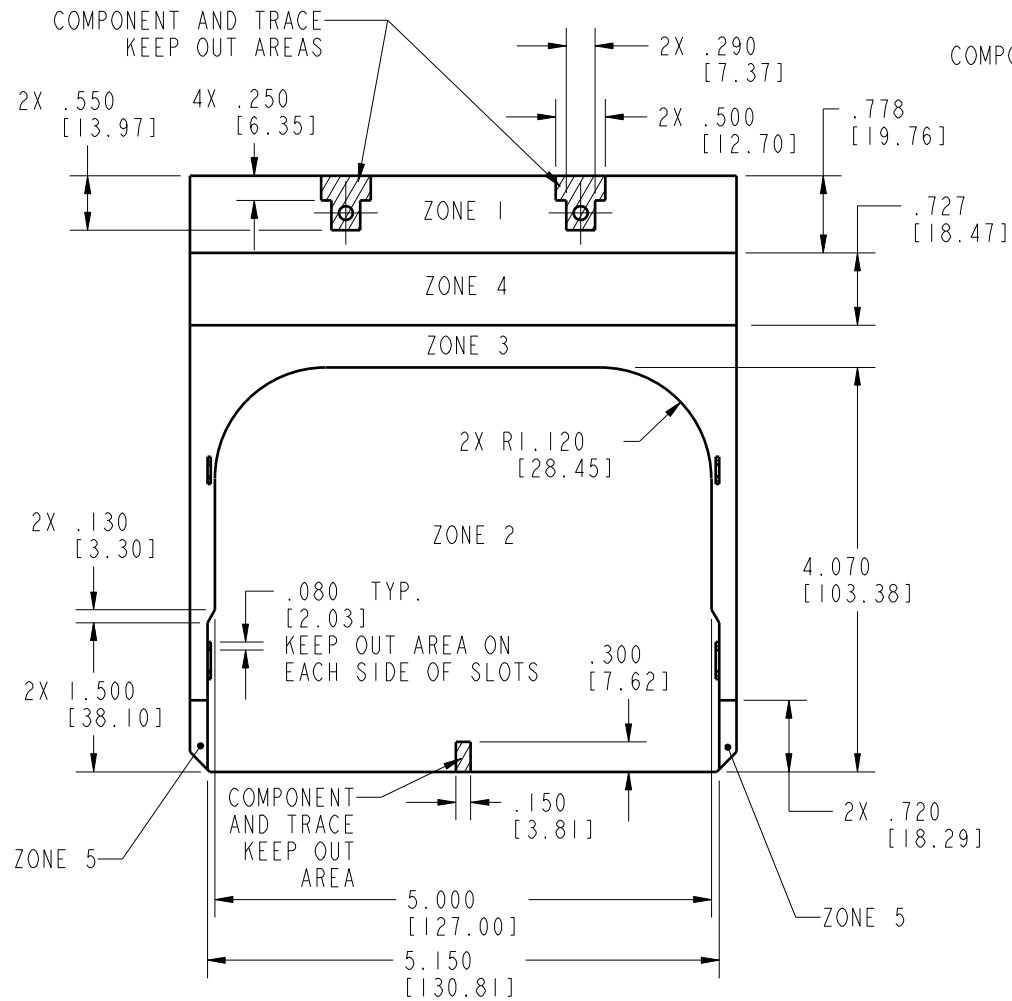
PCB NOTES:

- ON BOTTOM SIDE OF THE PCB, COMPONENTS OR TRACES MUST BE MIN. .100" AWAY FROM THE EDGE OF THE PCB.
- THE BOTTOM SIDE OF THE PCB SHOULD NOT HAVE COMPONENTS OR LEADS THAT EXTEND HIGHER THAN .080" (SEE PG. 6 SIDE VIEW).
- AREA HAS VARIABLE HEIGHT. SEE PCB COMPONENT HEIGHT ZONES VIEW FOR DETAILS.

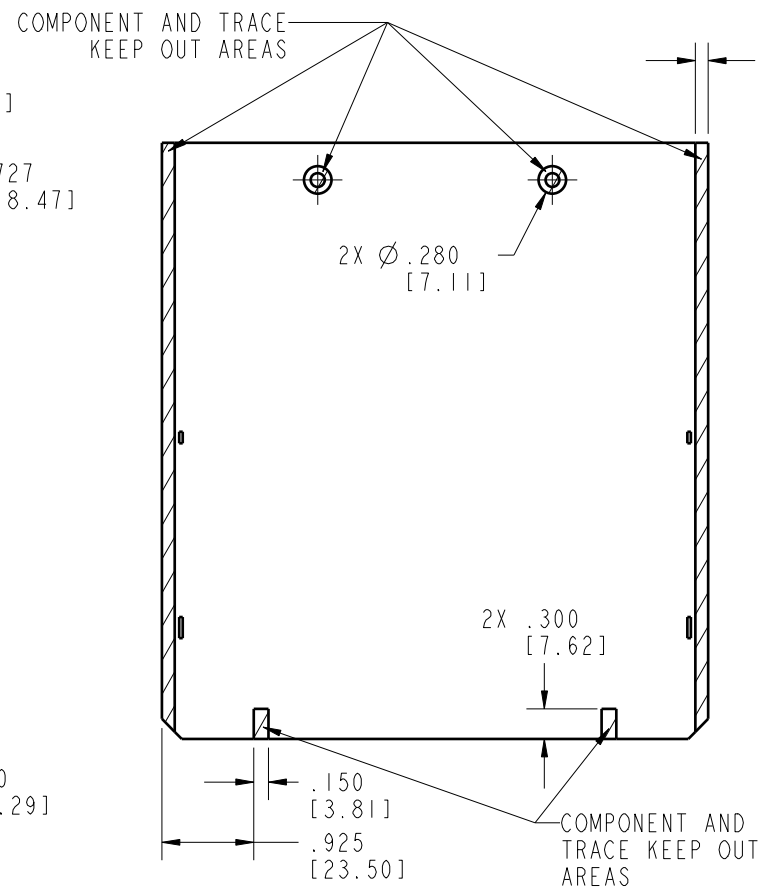
UNITS	ENGLISH		Cinch		1700 FINLEY RD. LOMBARD, IL. 60148
DO NOT SCALE DRAWING			TITLE		
UNLESS OTHERWISE SPECIFIED: ALL DIMENSIONS ARE IN INCHES			60-WAY HEADERS LE MODICE		
FILLET/RADII .02 MAX	TOLERANCES .X ± .1 .XX ± .01 .XXX ± .005 ADDITIVE FINISH		PRO/E DRAWING		
THIS DOCUMENT IS THE PROPERTY OF CINCH. NEITHER THIS DOCUMENT NOR ANY OF THE INFORMATION CONTAINED IN IT MAY BE DUPLICATED OR DISCLOSED WITHOUT PRIOR WRITTEN CONSENT OF CINCH.		CAD FILE NUMBER 5810000028S	DRAWING NUMBER 581 00 00 028S	REV A	
CAGE IDENT NO.	SIZE B	SCALE 3:5	SHEET 2 OF 5		

PCB LAY-OUT WITH TWO HEAT SINKS

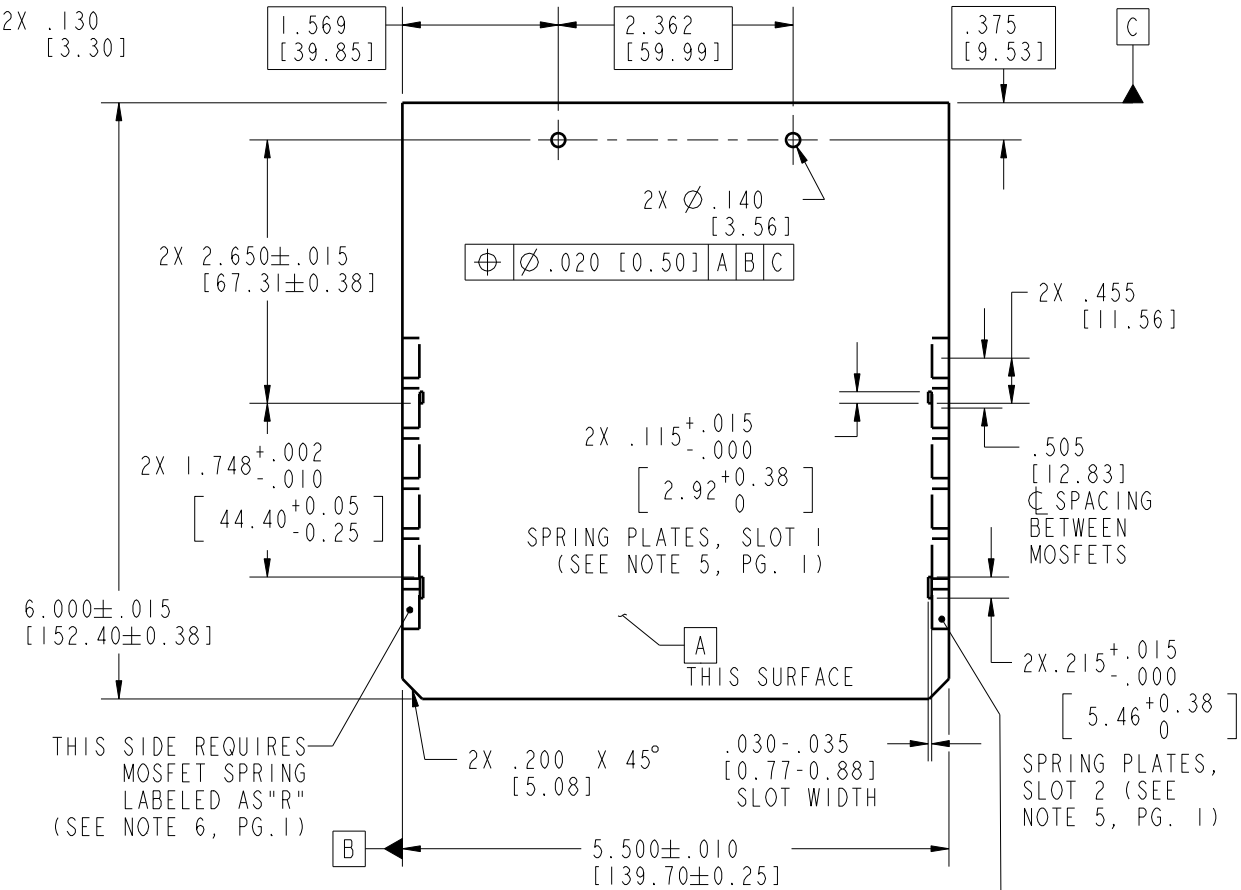
PCB TOP SIDE GENERAL ZONING & KEEP OUT AREAS



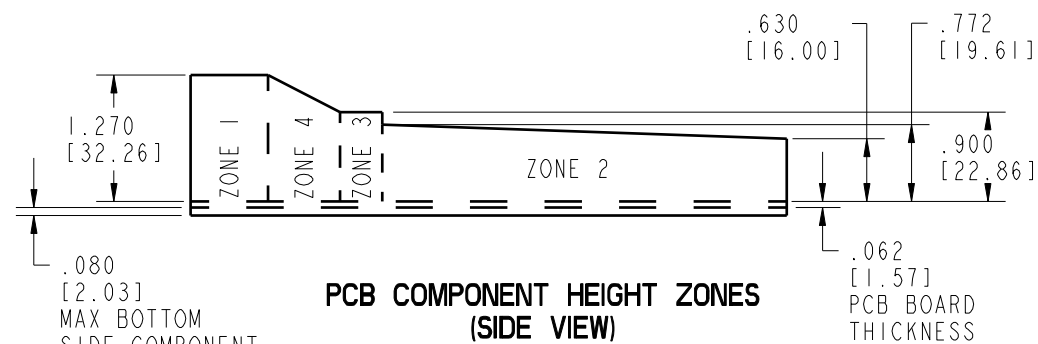
PCB BOTTOM SIDE GENERAL ZONING & KEEP OUT AREAS



PCB OVERALL DIMENSIONS AND HOLE LOCATIONS



MOSFET LOCATION(S)
 MAX. 6 TO-220 STYLE MOSFETS PER SIDE
 THIS SIDE REQUIRES MOSFET SPRING LABELED AS "L" (SEE NOTE 5, PG. 1)



PCB COMPONENT HEIGHT ZONES (SIDE VIEW)

PCB COMPONENTS HEIGHT LIMIT

	ZONE 1	ZONE 2	ZONE 3	ZONE 4	ZONE 5
MAX. HEIGHT FOR COMPONENTS (ABOVE PCB)	1.270"	SEE PCB NOTE 4	.900"	SEE PCB NOTE 4	.420"

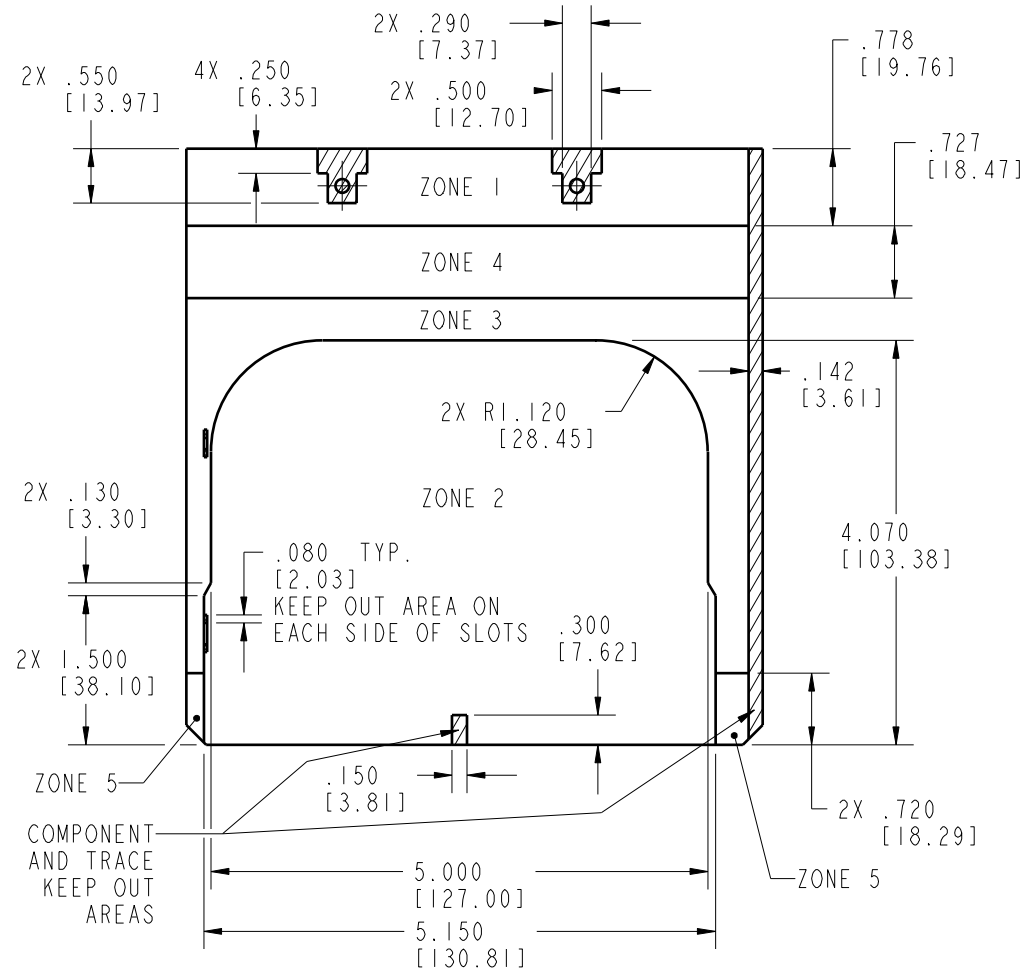
PCB NOTES:

- IF MOSFET SPRINGS ARE USED, ZONE 3 SHOULD CONTAIN ONLY MOSFETS AND TRACES BETWEEN THE SPRINGS AND EDGE OF THE BOARD.
- ON BOTTOM SIDE OF THE PCB, COMPONENTS OR TRACES MUST BE MIN. .100" AWAY FROM THE EDGE OF THE PCB.
- THE BOTTOM SIDE OF THE PCB SHOULD NOT HAVE COMPONENTS OR LEADS THAT EXTEND HIGHER THAN .080" (SEE PG. 6 SIDE VIEW).
- AREA HAS VARIABLE HEIGHT. SEE PCB COMPONENT HEIGHT ZONES VIEW FOR DETAILS.

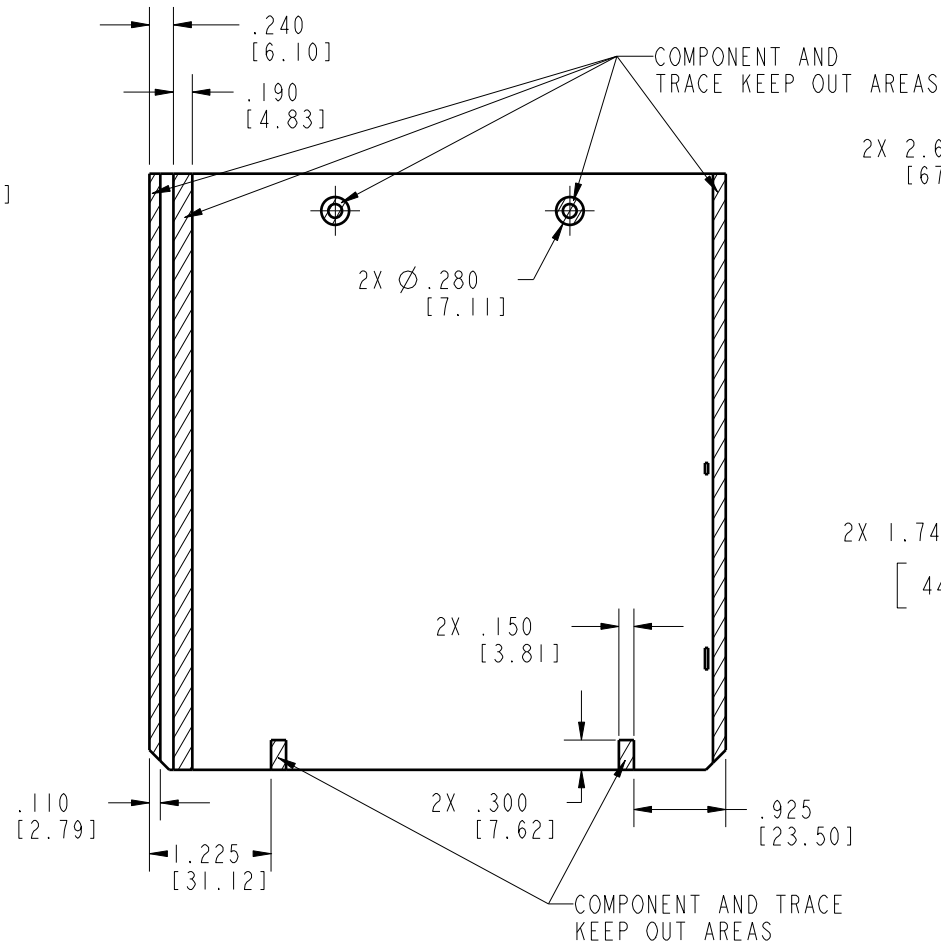
UNITS	ENGLISH		Cinch		1700 FINLEY RD. LOMBARD, IL. 60148	
DO NOT SCALE DRAWING						
UNLESS OTHERWISE SPECIFIED: ALL DIMENSIONS ARE IN INCHES			TITLE			
FILLET/RADII .02 MAX			60-WAY HEADERS LE MODICE			
TOLERANCES AND LIMITS APPLY OVER ADDITIVE FINISH			PRO/E DRAWING			
THIS DOCUMENT IS THE PROPERTY OF CINCH. NEITHER THIS DOCUMENT NOR ANY OF THE INFORMATION CONTAINED IN IT MAY BE DUPLICATED OR DISCLOSED WITHOUT PRIOR WRITTEN CONSENT OF CINCH.			CAD FILE NUMBER	DRAWING NUMBER	REV	
			5810000028S	581 00 00 028S	A	
			CAGE IDENT NO. SIZE	SCALE	SHEET 3 OF 5	
			71785 B	3:5		

PCB LAY-OUT WITH ONE HEAT SINK

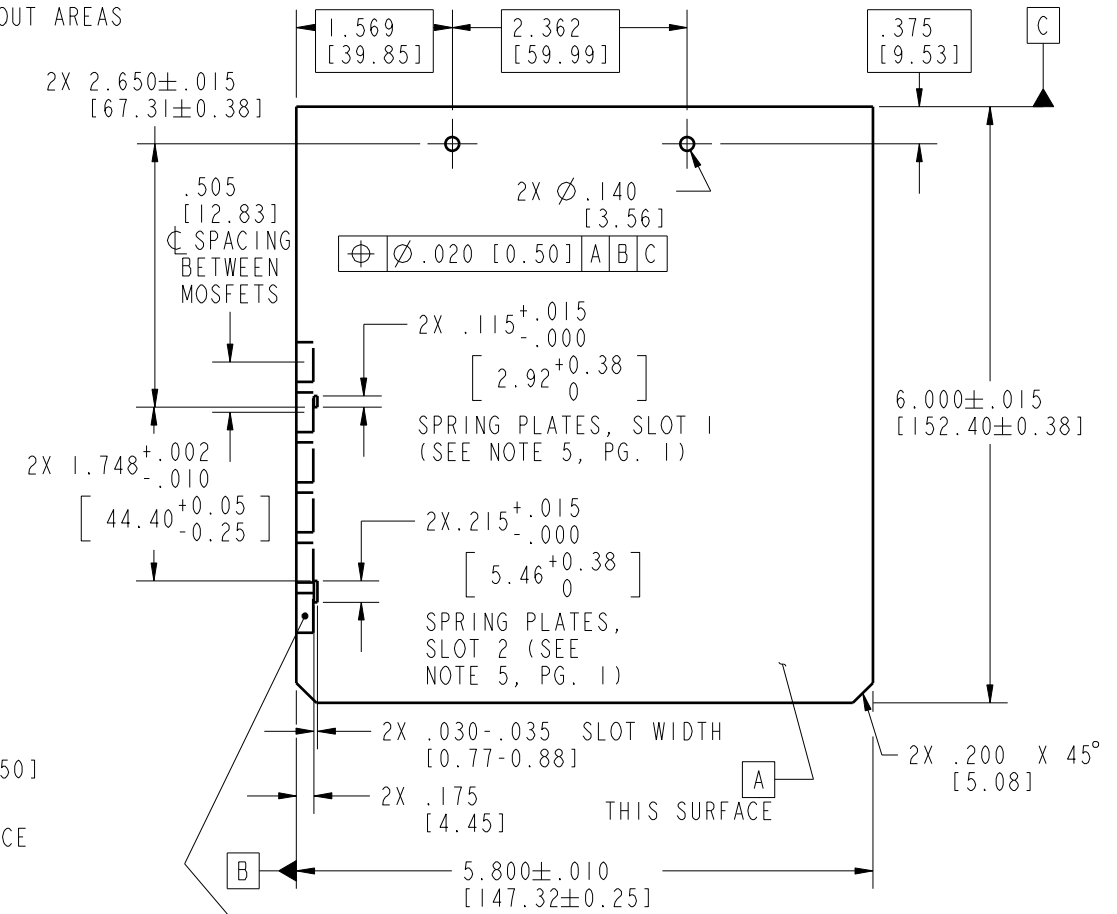
PCB TOP SIDE GENERAL ZONING & KEEP OUT AREAS



PCB BOTTOM SIDE GENERAL ZONING & KEEP OUT AREAS



PCB OVERALL DIMENSIONS AND HOLE LOCATIONS



MOSFET LOCATION(S)
 MAX. 6 TO-220 STYLE
 MOSFETS THIS SIDE ONLY
 THIS SIDE REQUIRES
 MOSFET SPRING LABELED
 AS "R" (SEE NOTE 5, PG. 1)

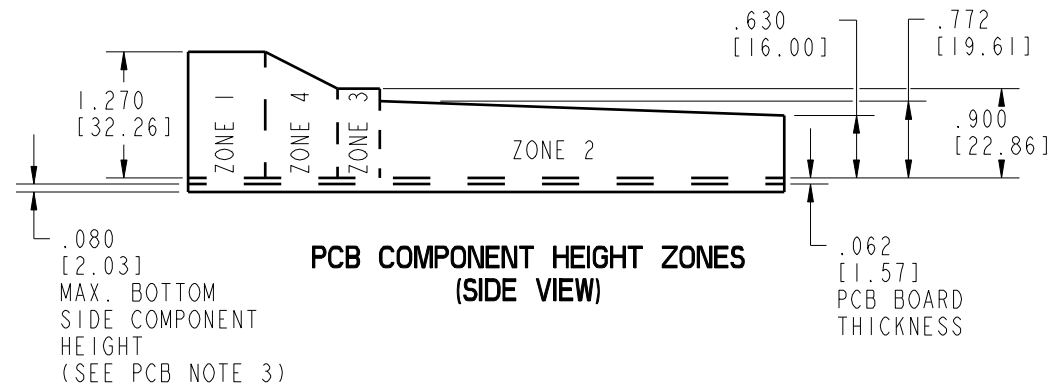
UNITS ENGLISH		Cinch 1700 FINLEY RD. LOMBARD, IL. 60148	
DO NOT SCALE DRAWING			
UNLESS OTHERWISE SPECIFIED: ALL DIMENSIONS ARE IN INCHES		TITLE 60-WAY HEADERS LE MODICE	
FILLET/RADII .02 MAX	TOLERANCES X ± .1 .XX ± .01 .XXX ± .005 ANGULAR ± .5°	PRO/E DRAWING	
TOLERANCES AND LIMITS APPLY OVER ADDITIVE FINISH		CAD FILE NUMBER 5810000028S	DRAWING NUMBER 581 00 00 028S
THIS DOCUMENT IS THE PROPERTY OF CINCH. NEITHER THIS DOCUMENT NOR ANY OF THE INFORMATION CONTAINED IN IT MAY BE DUPLICATED OR DISCLOSED WITHOUT PRIOR WRITTEN CONSENT OF CINCH.		CAGE IDENT NO. SIZE 71785 B	SCALE 3:5
		REV A	
		SHEET 4 OF 5	

PCB COMPONENTS HEIGHT LIMIT

	ZONE 1	ZONE 2	ZONE 3	ZONE 4	ZONE 5
MAX. HEIGHT FOR COMPONENTS (ABOVE PCB)	1.270"	SEE PCB NOTE 4	.900"	SEE PCB NOTE 4	.420"

- PCB NOTES:
- IF MOSFET SPRINGS ARE USED, ZONE 3 SHOULD CONTAIN ONLY MOSFETS AND TRACES BETWEEN THE SPRINGS AND EDGE OF THE BOARD.
 - ON BOTTOM SIDE OF THE PCB, COMPONENTS OR TRACES MUST BE MIN. .100" AWAY FROM THE EDGE OF THE PCB.
 - THE BOTTOM SIDE OF THE PCB SHOULD NOT HAVE COMPONENTS OR LEADS THAT EXTEND HIGHER THAN .080" (SEE PG. 6 SIDE VIEW).
 - AREA HAS VARIABLE HEIGHT. SEE PCB COMPONENT HEIGHT ZONES VIEW FOR DETAILS.

PCB COMPONENT HEIGHT ZONES (SIDE VIEW)

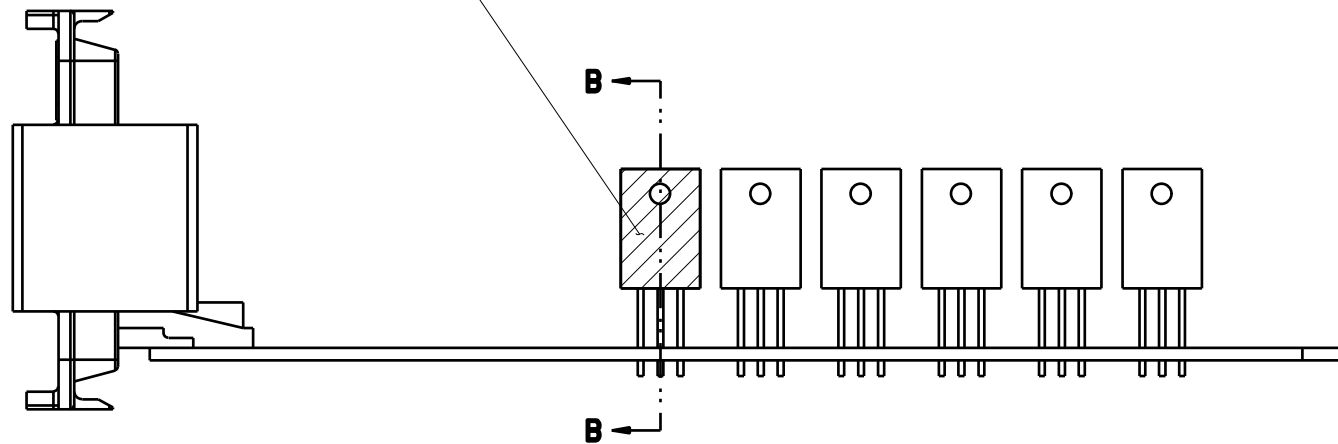


8 7 6 5 4 3 2 1

D

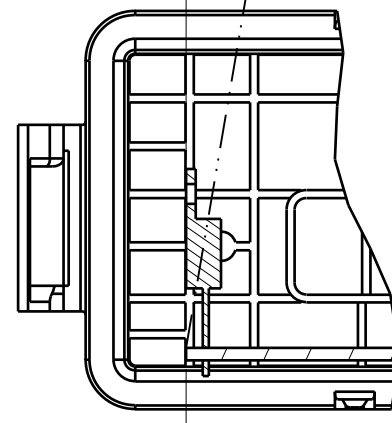
D

APPLY THIN BEAD OF THERMALLY CONDUCTIVE ADHESIVE PASTE TO ENTIRE MOSFET SURFACE. (SEE NOTE 5)



SIDE VIEW
REQUIRED TO-220 PACKAGE PROFILE

FOR EASE OF ASSEMBLY, IT IS RECOMMENDED THAT MOSFET(S) BE TILTED UP TO 10° IN POSITIVE DIRECTION (SEE DOTTED LINE)



MOSFET MUST LIE IN THE SAME PLANE WITH EDGE OF PCB (AS SHOWN)

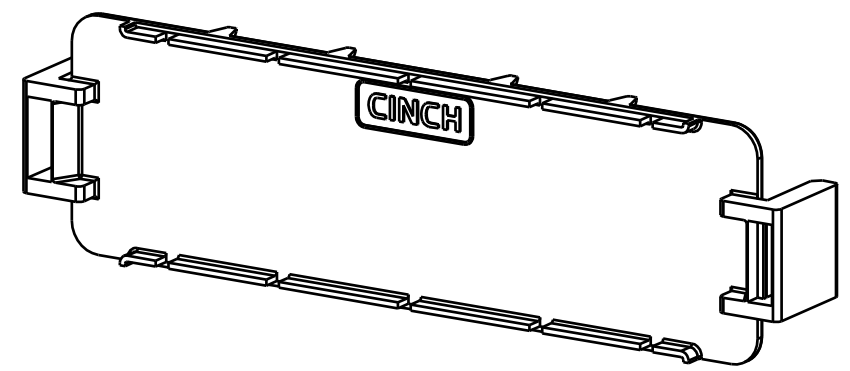
REQUIRES TO-220 PACKAGING PROFILE
PARTIAL SECTION B-B

C

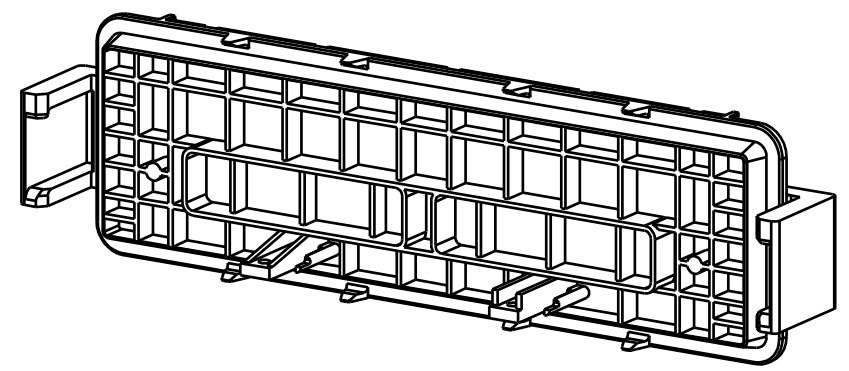
C

B

B



SCALE 5:8



SCALE 5:8

A

A

8 7 6 5 4 3 2 1

UNITS ENGLISH		Cinch		1700 FINLEY RD. LOMBARD, IL. 60148	
DO NOT SCALE DRAWING		TITLE 60-WAY HEADERS LE MODICE			
UNLESS OTHERWISE SPECIFIED: ALL DIMENSIONS ARE IN INCHES		PRO/E DRAWING			
FILLET/RADII .02 MAX	TOLERANCES .X ± .1 .XX ± .01 .XXX ± .005 ANGULAR ± .5°	CAD FILE NUMBER 5810000028S	DRAWING NUMBER 581 00 00 028S	REV A	
THIS DOCUMENT IS THE PROPERTY OF CINCH. NEITHER THIS DOCUMENT NOR ANY OF THE INFORMATION CONTAINED IN IT MAY BE DUPLICATED OR DISCLOSED WITHOUT PRIOR WRITTEN CONSENT OF CINCH.		CAGE IDENT NO. 71785	SCALE B	1:1	SHEET 5 OF 5