



Chipsmall Limited consists of a professional team with an average of over 10 year of expertise in the distribution of electronic components. Based in Hongkong, we have already established firm and mutual-benefit business relationships with customers from,Europe,America and south Asia,supplying obsolete and hard-to-find components to meet their specific needs.

With the principle of “Quality Parts,Customers Priority,Honest Operation,and Considerate Service”,our business mainly focus on the distribution of electronic components. Line cards we deal with include Microchip,ALPS,ROHM,Xilinx,Pulse,ON,Everlight and Freescale. Main products comprise IC,Modules,Potentiometer,IC Socket,Relay,Connector.Our parts cover such applications as commercial,industrial, and automotives areas.

We are looking forward to setting up business relationship with you and hope to provide you with the best service and solution. Let us make a better world for our industry!



Contact us

Tel: +86-755-8981 8866 Fax: +86-755-8427 6832

Email & Skype: info@chipsmall.com Web: www.chipsmall.com

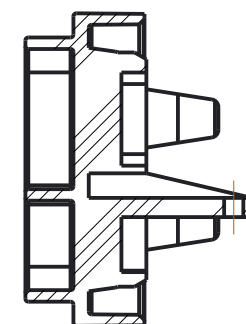
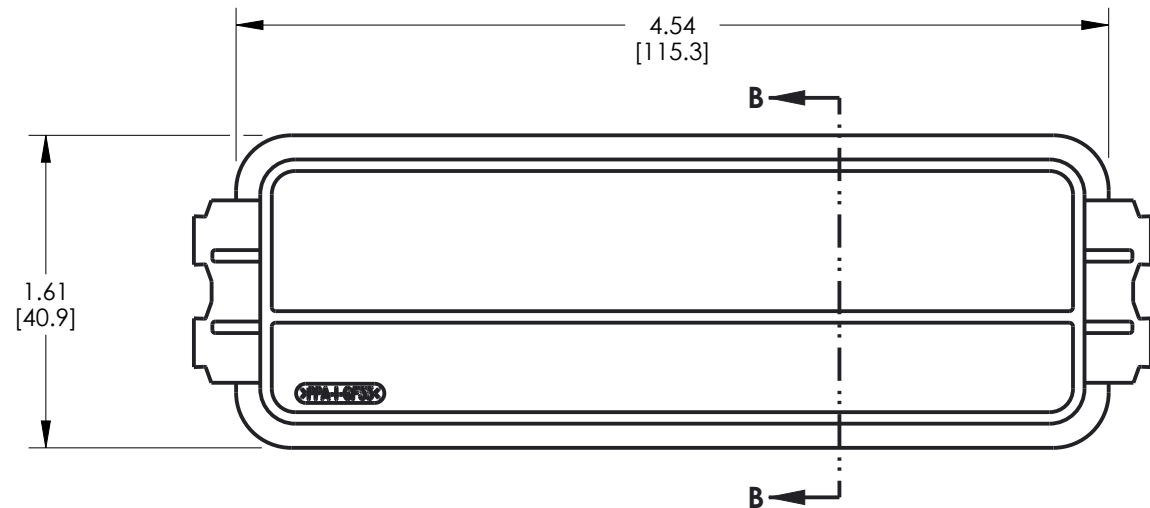
Address: A1208, Overseas Decoration Building, #122 Zhenhua RD., Futian, Shenzhen, China



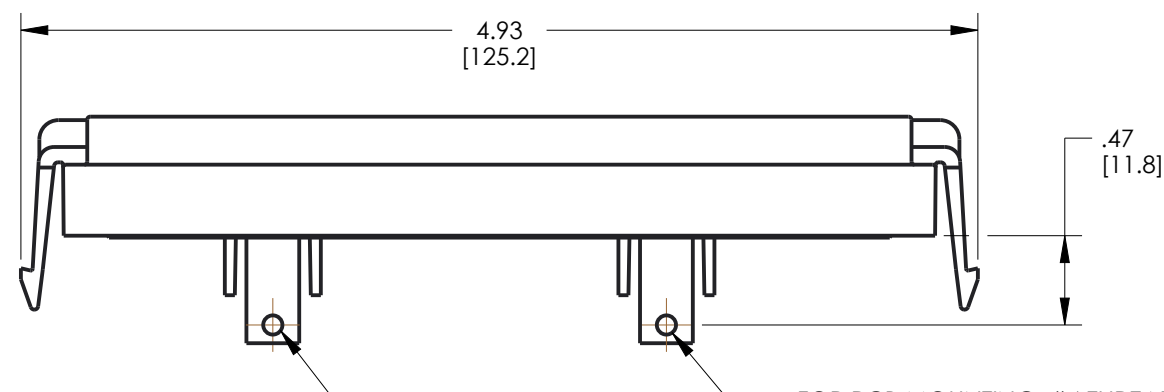
MODICE ME BLANK HEADER
PART NO. 581000055

DRAWING REVISIONS
 (RELEASE DATE ON FILE)

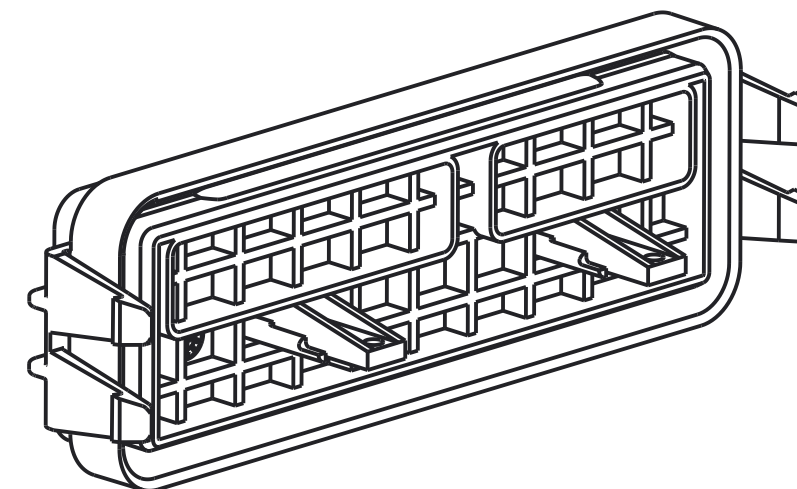
REV	DOCUMENT	APP	APPROVAL DATE
C	CO 3274	KR	7/18/16



SECTION B-B

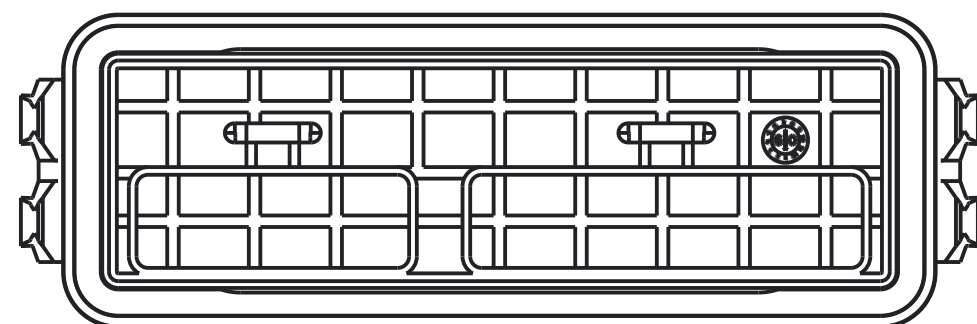


FOR PCB MOUNTING, #4 THREAD CUTTING SCREWS (TYPE 23 OR SIMILAR) ARE RECOMMENDED; TORQUE TO 2-3 IN*LBS [0.23-0.34Nm]

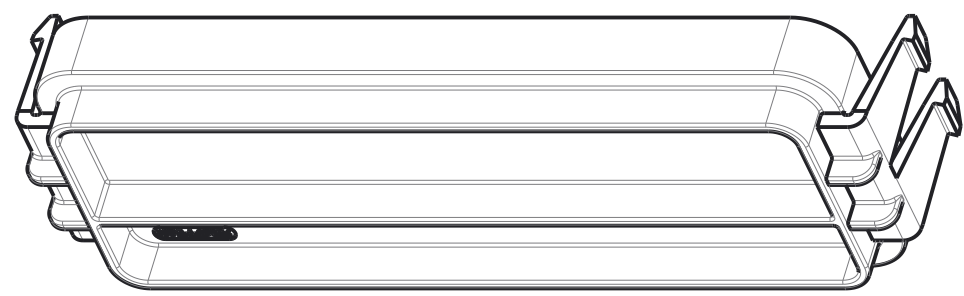
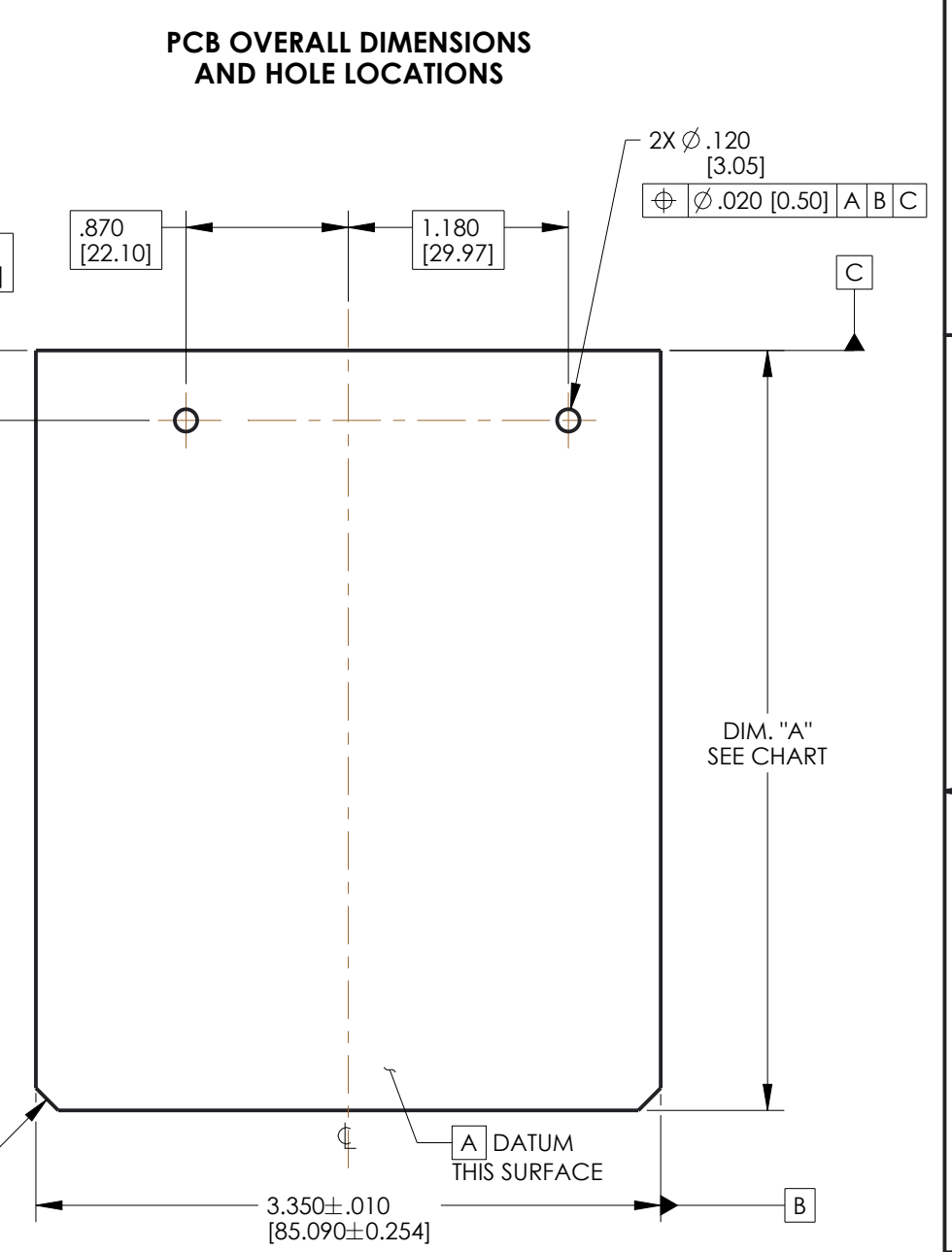
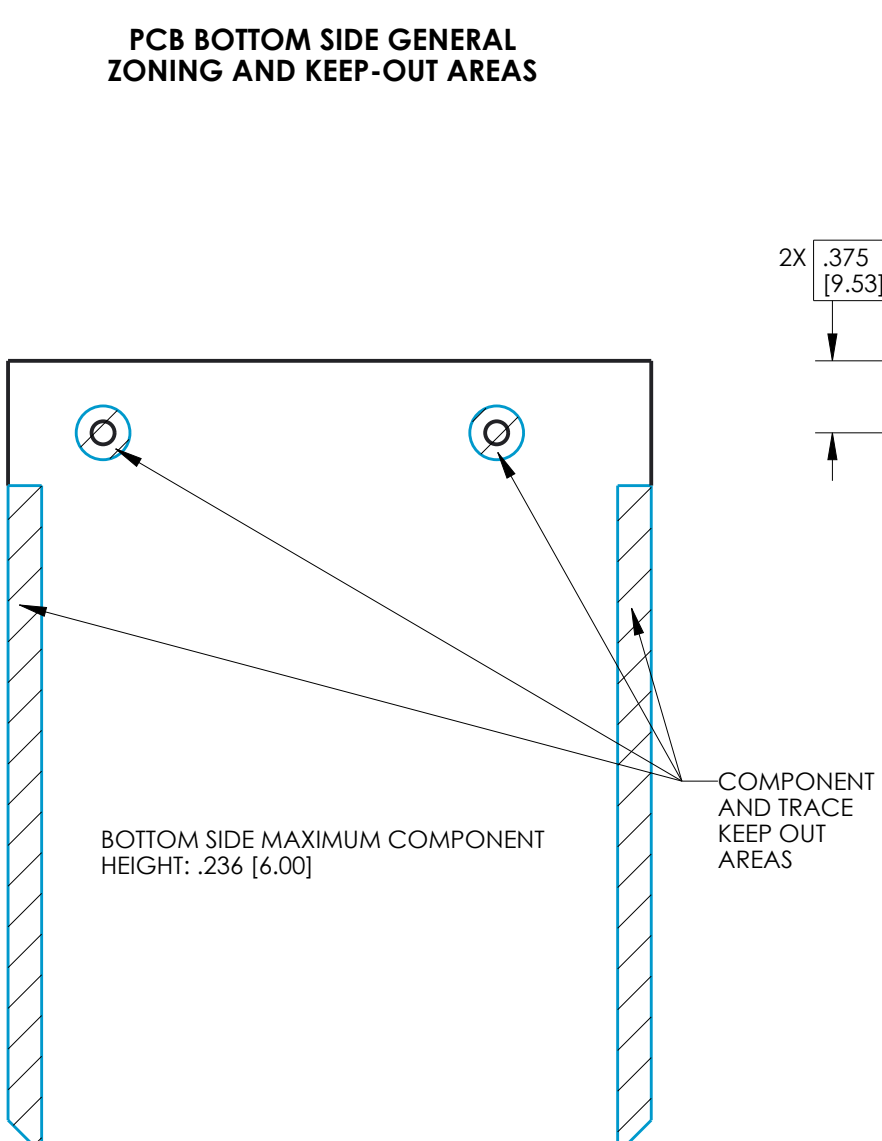
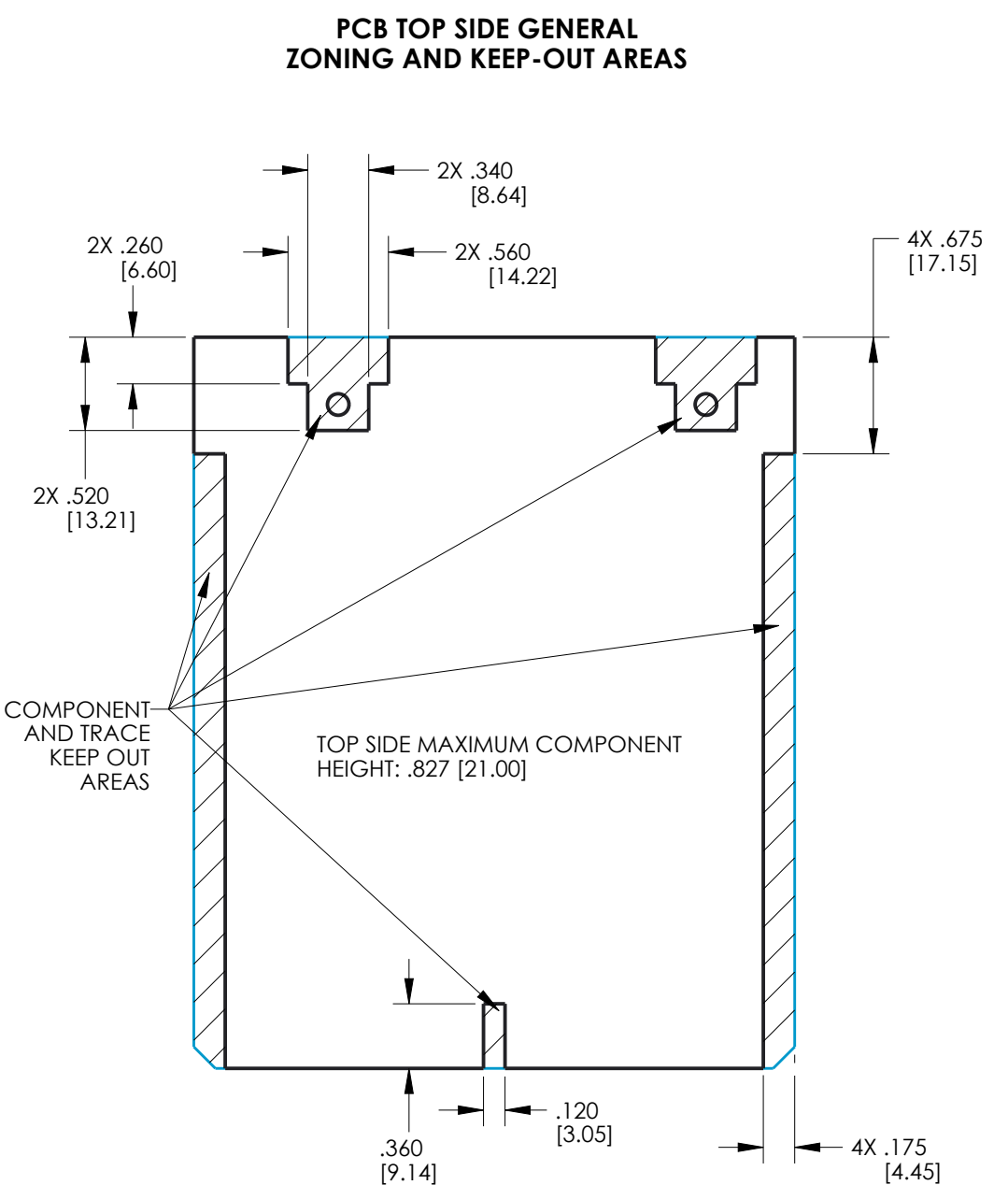
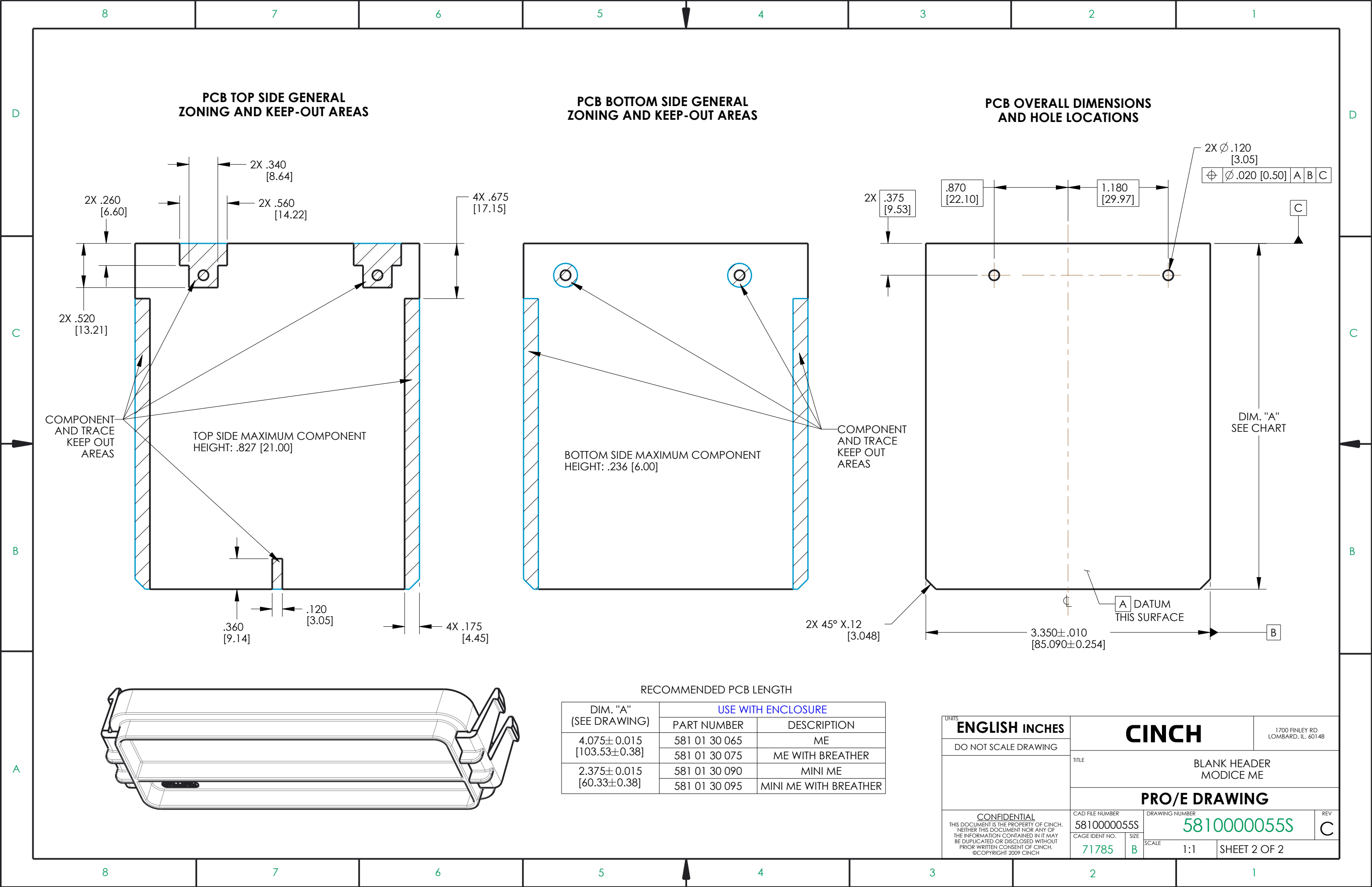


NOTES:

1. ALL DIMENSIONS ARE IN INCHES; DIMENSIONS INSIDE [.XX] ARE IN mm, AS REFERENCE ONLY
2. MATERIALS: 30% GLASS FILLED POLYMER, COLOR BLACK
3. ALL HEADERS ARE REFLOW OR WAVE SOLDERING PROCESS, ROHS COMPLIANT
4. SUGGESTED PCB THICKNESS: .062 [1.57]



UNITS ENGLISH INCHES		DESIGN ENGINEER A. ECKHART	DATE 5/24/11	PRO/E	CINCH		MODELED BY: A. ECKHART
DO NOT SCALE DRAWING		APPROVALS ON FILE		TITLE BLANK HEADER MODICE ME		1700 FINLEY RD LOMBARD, IL. 60148	
CONFIDENTIAL THIS DOCUMENT IS THE PROPERTY OF CINCH. NEITHER THIS DOCUMENT NOR ANY OF THE INFORMATION CONTAINED IN IT MAY BE DUPLICATED OR DISCLOSED WITHOUT PRIOR WRITTEN CONSENT OF CINCH. ©COPYRIGHT 2011 CINCH		MATERIAL A14926		CONTROL SPEC NUMBER A14926		PROJECT NUMBER A14926	
CAD FILE NUMBER 581000055S		DRAWING NUMBER 581000055S		SCALE 1:1		SHEET 1 OF 2	
CAGE IDENT NO. 71785		SIZE B		SCALE 1:1		SHEET 1 OF 2	



RECOMMENDED PCB LENGTH

DIM. "A" (SEE DRAWING)	USE WITH ENCLOSURE	
	PART NUMBER	DESCRIPTION
4.075±0.015 [103.53±0.38]	581 01 30 065	ME
	581 01 30 075	ME WITH BREATHER
2.375±0.015 [60.33±0.38]	581 01 30 090	MINI ME
	581 01 30 095	MINI ME WITH BREATHER

UNITS ENGLISH INCHES	CINCH		1700 FINLEY RD LOMBARD, IL. 60148
DO NOT SCALE DRAWING	TITLE BLANK HEADER MODICE ME		
CONFIDENTIAL <small>THIS DOCUMENT IS THE PROPERTY OF CINCH. NEITHER THIS DOCUMENT NOR ANY OF THE INFORMATION CONTAINED IN IT MAY BE DUPLICATED OR DISCLOSED WITHOUT PRIOR WRITTEN CONSENT OF CINCH. ©COPYRIGHT 2009 CINCH</small>	CAD FILE NUMBER 5810000055S	DRAWING NUMBER 5810000055S	REV C
	CAGE IDENT NO. 71785	SIZE B	SCALE 1:1
	SHEET 2 OF 2		