



Chipsmall Limited consists of a professional team with an average of over 10 year of expertise in the distribution of electronic components. Based in Hongkong, we have already established firm and mutual-benefit business relationships with customers from,Europe,America and south Asia,supplying obsolete and hard-to-find components to meet their specific needs.

With the principle of “Quality Parts,Customers Priority,Honest Operation,and Considerate Service”,our business mainly focus on the distribution of electronic components. Line cards we deal with include Microchip,ALPS,ROHM,Xilinx,Pulse,ON,Everlight and Freescale. Main products comprise IC,Modules,Potentiometer,IC Socket,Relay,Connector.Our parts cover such applications as commercial,industrial, and automotives areas.

We are looking forward to setting up business relationship with you and hope to provide you with the best service and solution. Let us make a better world for our industry!



Contact us

Tel: +86-755-8981 8866 Fax: +86-755-8427 6832

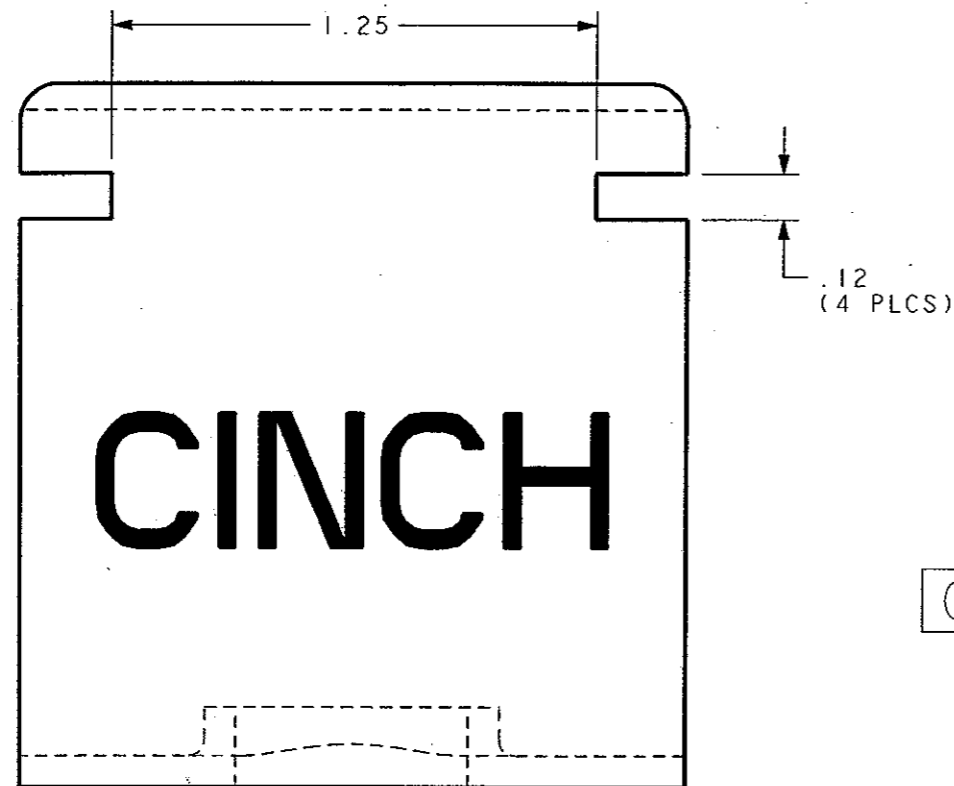
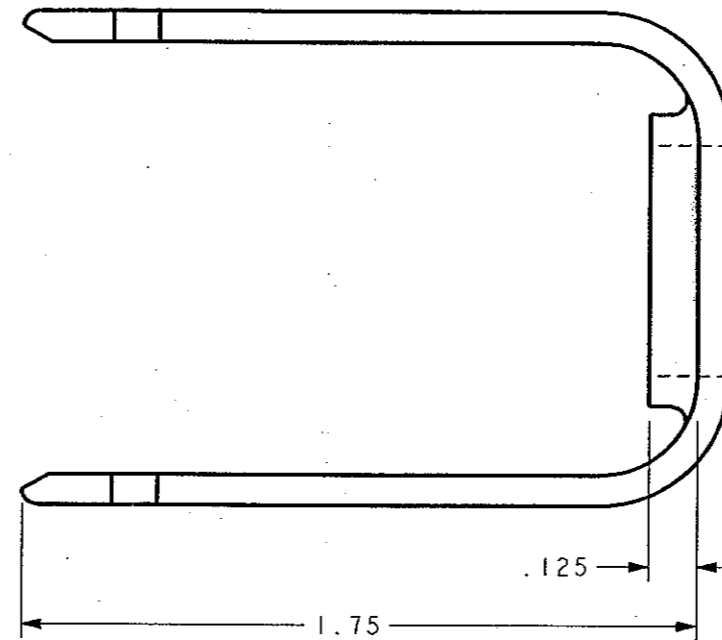
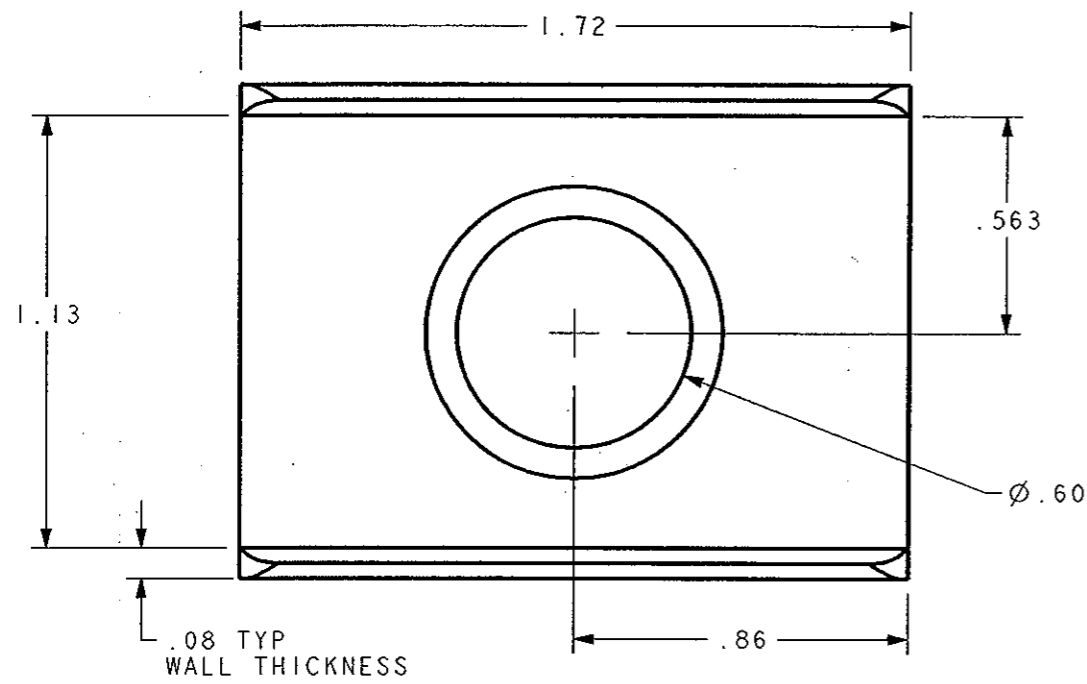
Email & Skype: info@chipsmall.com Web: www.chipsmall.com

Address: A1208, Overseas Decoration Building, #122 Zhenhua RD., Futian, Shenzhen, China



DRAWING REVISIONS

REV	DOCUMENT	APP	DATE
A	DRAWING RELEASE	A.C.	11-07-05



- NOTES: (UNLESS OTHERWISE SPECIFIED)
1. MATERIAL: 30% GLASS FILLED POLYESTER, COLOR IS BLACK.
 2. SNAP-ON MATE WITH 18 WAY PUSH TO SEAT HARNESS CONNECTOR.
 3. TOLERANCES: .XXX ±.010
.XX ±.025

CINCH PART NUMBER 581 00 00 101

UNITS ENGLISH		PRO/E		Cinch		1700 FINLEY RD. LOMBARD, IL. 60148	
DO NOT SCALE DRAWING		DRAWN BY G. Tomczak	DATE 10-31-05	TITLE SPLASH GUARD, 18 SIZE		CONTROL SPEC NUMBER	
		DESIGN ENGINEER L. Pacini	9-18-98	MATERIAL SEE NOTE 1		PROJECT NUMBER	
		DESIGN ENGINEERING MGR. A. Caines	11-07-05	MATERIAL SPEC NUMBER	FINISH		
THIS DOCUMENT IS THE PROPERTY OF CINCH. NEITHER THIS DOCUMENT NOR ANY OF THE INFORMATION CONTAINED IN IT MAY BE DUPLICATED OR DISCLOSED WITHOUT PRIOR WRITTEN CONSENT OF CINCH.		MFG. ENGINEERING M. Olalde	9-24-98	CAD FILE NUMBER 5810000101S	DRAWING NUMBER 581 00 00 101S		
		QUALITY ASSURANCE R. Schlacks	9-25-98	CAGE IDENT NO. SIZE 71785 B	SCALE 2:1	SHEET 1 OF 1	