



Chipsmall Limited consists of a professional team with an average of over 10 year of expertise in the distribution of electronic components. Based in Hongkong, we have already established firm and mutual-benefit business relationships with customers from,Europe,America and south Asia,supplying obsolete and hard-to-find components to meet their specific needs.

With the principle of “Quality Parts,Customers Priority,Honest Operation,and Considerate Service”,our business mainly focus on the distribution of electronic components. Line cards we deal with include Microchip,ALPS,ROHM,Xilinx,Pulse,ON,Everlight and Freescale. Main products comprise IC,Modules,Potentiometer,IC Socket,Relay,Connector.Our parts cover such applications as commercial,industrial, and automotives areas.

We are looking forward to setting up business relationship with you and hope to provide you with the best service and solution. Let us make a better world for our industry!



## Contact us

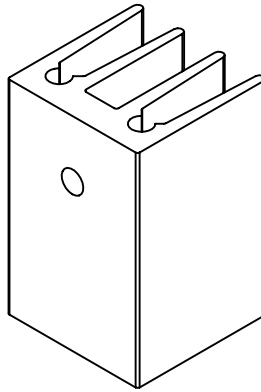
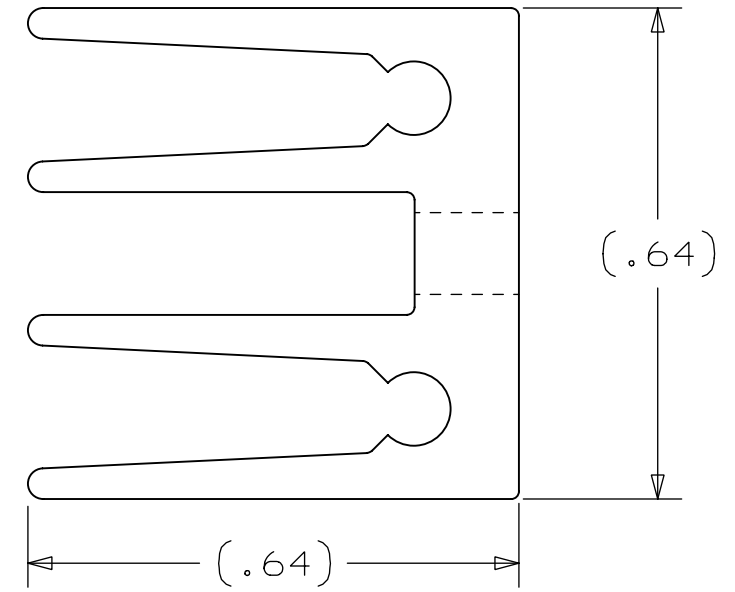
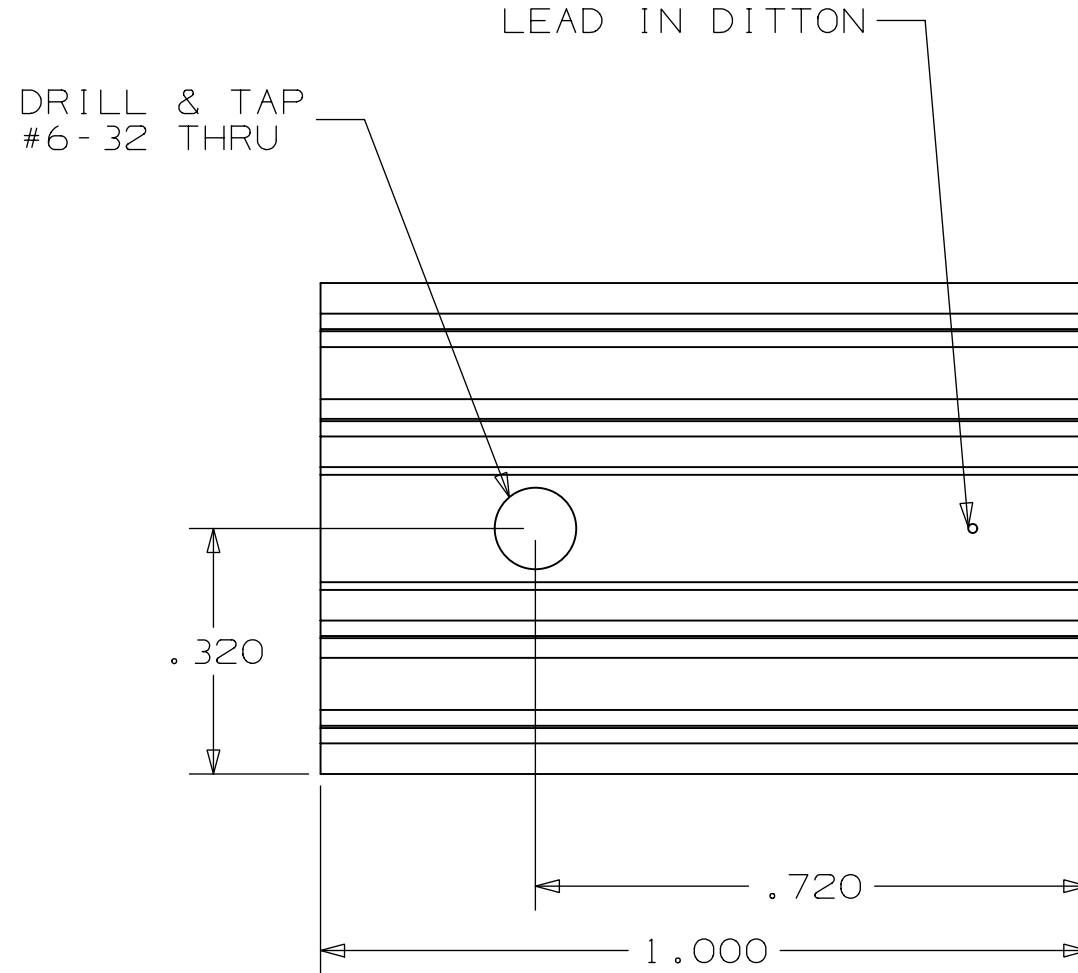
Tel: +86-755-8981 8866 Fax: +86-755-8427 6832

Email & Skype: info@chipsmall.com Web: www.chipsmall.com

Address: A1208, Overseas Decoration Building, #122 Zhenhua RD., Futian, Shenzhen, China



THIS DRAWING AND THE SPECIFICATIONS CONTAINED HEREIN ARE CONFIDENTIAL AND PROPRIETARY. THEY ARE THE PROPERTY OF AAVID THERMAL TECHNOLOGIES INC. AND SHALL NOT BE REPRODUCED OR COPIED OR USED IN WHOLE OR IN PART AS THE BASIS FOR THE MANUFACTURE OR SALE OF ITEMS WITHOUT WRITTEN PERMISSION. THIS IS AN UNPUBLISHED WORK PROTECTED UNDER THE FEDERAL COPYRIGHT LAWS. 1995



D	12/13/99	GENERAL UPDATE PER ECN #009177	
C	12/10/96	RELEASED PER ECN #003444	ML
REV.	DATE	DESCRIPTION	CHK'D



**AAVID**<sup>TM</sup>  
THERMAL TECHNOLOGIES, INC.

ONE KOOL PATH  
P.O. BOX 400  
LACONIA, N.H.  
03247-0400

FINISH	BLACK ANODIZE
U/O	
MAT'L	62470 (004236)
TOLERANCE	UNLESS NOTED
.XX±	.015
.XXX±	.010
ANGULAR±	3°

DRAWING NO.		002701		
STANDARD DESCRIPTION				
STD,581002B00000				
DATE	DRAWN	CHK'D	APP'D	SCALE
08/28/96	JWD	.	.	4 TO 1
SHEET				