



Chipsmall Limited consists of a professional team with an average of over 10 year of expertise in the distribution of electronic components. Based in Hongkong, we have already established firm and mutual-benefit business relationships with customers from,Europe,America and south Asia,supplying obsolete and hard-to-find components to meet their specific needs.

With the principle of “Quality Parts,Customers Priority,Honest Operation,and Considerate Service”,our business mainly focus on the distribution of electronic components. Line cards we deal with include Microchip,ALPS,ROHM,Xilinx,Pulse,ON,Everlight and Freescale. Main products comprise IC,Modules,Potentiometer,IC Socket,Relay,Connector.Our parts cover such applications as commercial,industrial, and automotives areas.

We are looking forward to setting up business relationship with you and hope to provide you with the best service and solution. Let us make a better world for our industry!



## Contact us

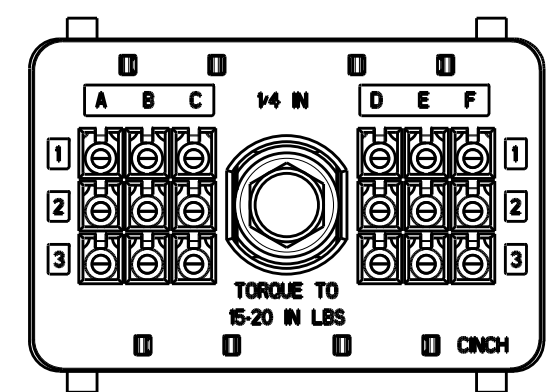
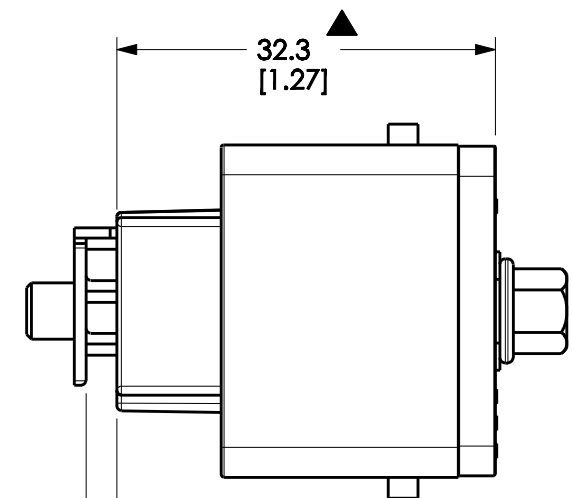
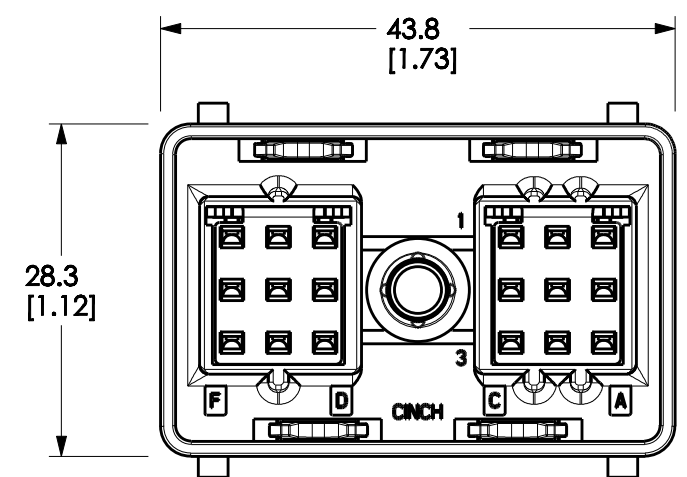
Tel: +86-755-8981 8866 Fax: +86-755-8427 6832

Email & Skype: info@chipsmall.com Web: www.chipsmall.com

Address: A1208, Overseas Decoration Building, #122 Zhenhua RD., Futian, Shenzhen, China

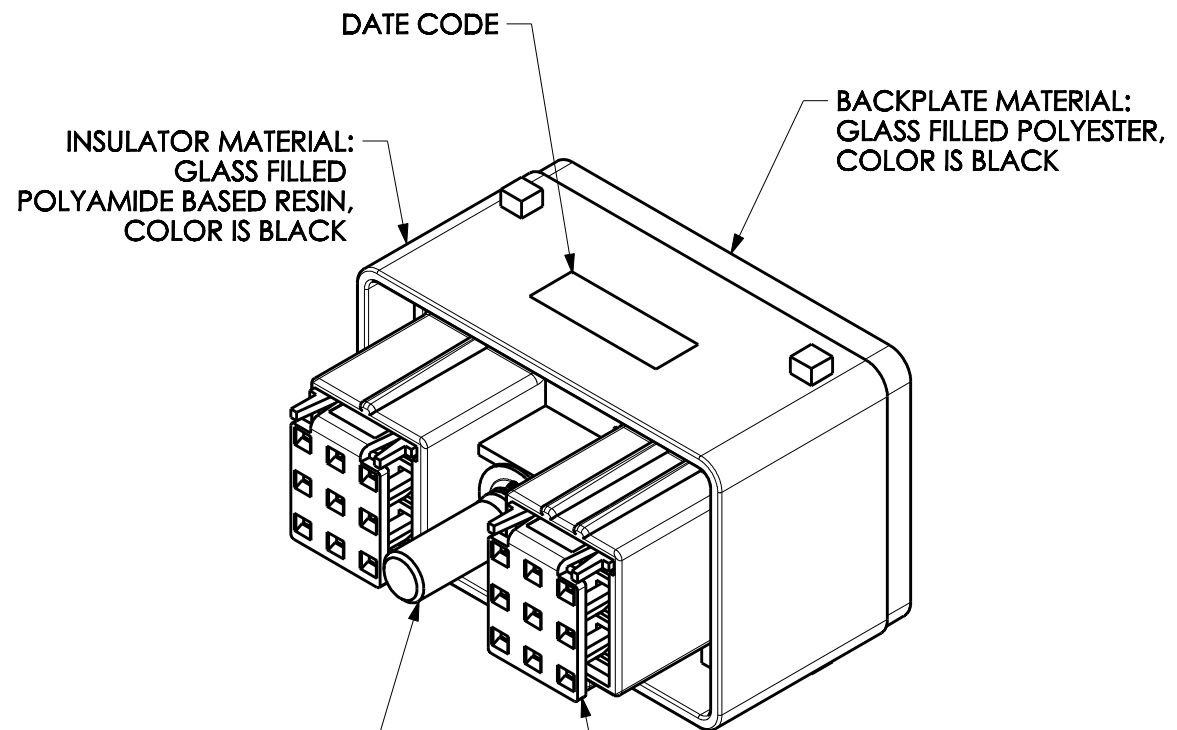


DRAWING REVISIONS (RELEASE DATE ON FILE)			
REV	DOCUMENT	APP	APPROVAL DATE
E	PER CO# 839	V.R.	01/18/10



**REAR VIEW**

2.6 REF [0.10]  
SECONDARY LOCKS SHIPPED  
IN PRE-STAGED POSITION



**NOTES:**

- DIMENSIONS SHOWN IN MILLIMETERS [INCHES].
- FOR WIRE SIZE APPLICATIONS, CONSULT FACTORY.
- FEMALE TERMINALS TO BE ORDERED SEPARATELY: P/N'S 425 00 00 873/872.
- PART MATES WITH CINCH HEADER CONNECTOR (CONSULT FACTORY).
- SEAL PLUGS TO BE ORDERED SEPARATELY: P/N 581 00 00 011.
- DRAWING TOLERANCES (UNLESS OTHERWISE SPECIFIED):  
.X = ±0.5  
.XX = ±0.25
- SEALING RANGE FOR WIRE INSULATION DIAMETER:  
MAXIMUM: 2.64MM [0.104"]; MINIMUM: 1.96MM [0.077"].
- A TRIANGLE "▲" INDICATES A CHARACTERISTIC REQUIRING INSPECTION VERIFICATION.
- IF TIE-WRAP DRESSING CONDUCTORS, CINCH RECOMMENDS A SPACING OF NO LESS THAN 50.8MM [2.00"] BEHIND THE BACK PLATE.

JACKSCREW MATERIAL:  
TRIVALENT CHROMATE, COLOR: YELLOW  
PLATED STEEL;  
10-24UNC THREAD

SECONDARY LOCK MATERIAL:  
GLASS FILLED POLYESTER,  
COLOR IS WHITE

UNITS <b>METRIC</b>		DESIGN ENGINEER <b>PRO/E</b> A.CAINES		DATE 4/25/00		TITLE <b>CINCH</b> 18 POSITION SOCKET CONNECTOR		MODELED BY: 1700 FINLEY RD LOMBARD, IL 60148			
DO NOT SCALE DRAWING <small>UNLESS OTHERWISE SPECIFIED: ALL DIMENSIONS ARE IN mm</small>		APPROVALS ON FILE		MATERIAL		CONTROL SPEC NUMBER		PROJECT NUMBER A14243			
CONFIDENTIAL <small>THIS DOCUMENT IS THE PROPERTY OF CINCH. NEITHER THIS DOCUMENT NOR ANY OF THE INFORMATION CONTAINED IN IT MAY BE DUPLICATED OR DISCLOSED WITHOUT PRIOR WRITTEN CONSENT OF CINCH. ©COPYRIGHT 2009 CINCH</small>				MATERIAL SPEC NUMBER 5810118023		DRAWING NUMBER 5810118023S		SCALE 1.500		SHEET 1 OF 1	
				CAGE IDENT NO. 71785		SIZE B					