



Chipsmall Limited consists of a professional team with an average of over 10 year of expertise in the distribution of electronic components. Based in Hongkong, we have already established firm and mutual-benefit business relationships with customers from,Europe,America and south Asia,supplying obsolete and hard-to-find components to meet their specific needs.

With the principle of “Quality Parts,Customers Priority,Honest Operation,and Considerate Service”,our business mainly focus on the distribution of electronic components. Line cards we deal with include Microchip,ALPS,ROHM,Xilinx,Pulse,ON,Everlight and Freescale. Main products comprise IC,Modules,Potentiometer,IC Socket,Relay,Connector.Our parts cover such applications as commercial,industrial, and automotives areas.

We are looking forward to setting up business relationship with you and hope to provide you with the best service and solution. Let us make a better world for our industry!



Contact us

Tel: +86-755-8981 8866 Fax: +86-755-8427 6832

Email & Skype: info@chipsmall.com Web: www.chipsmall.com

Address: A1208, Overseas Decoration Building, #122 Zhenhua RD., Futian, Shenzhen, China



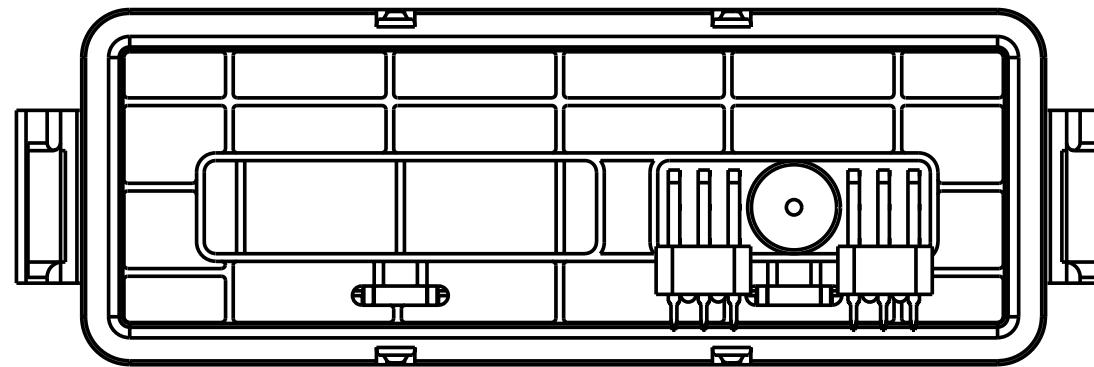
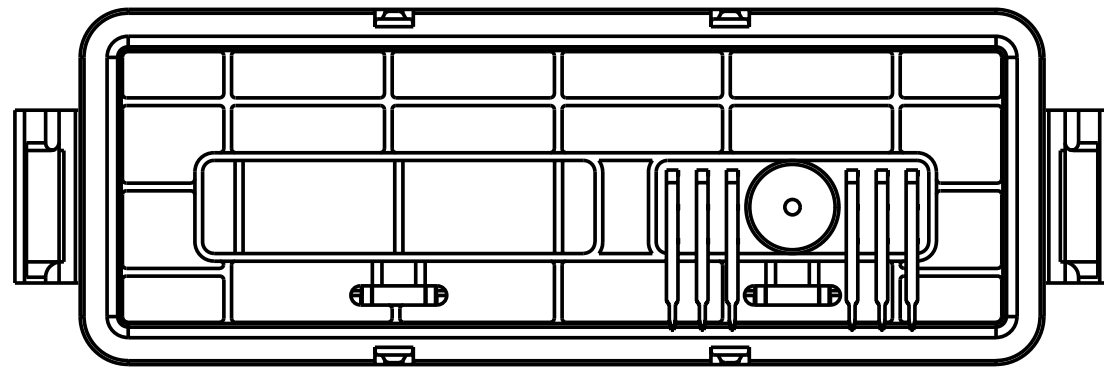
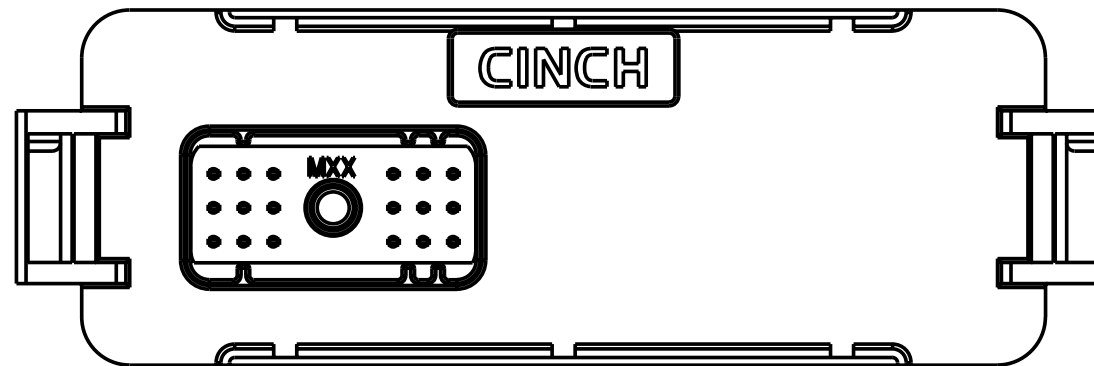
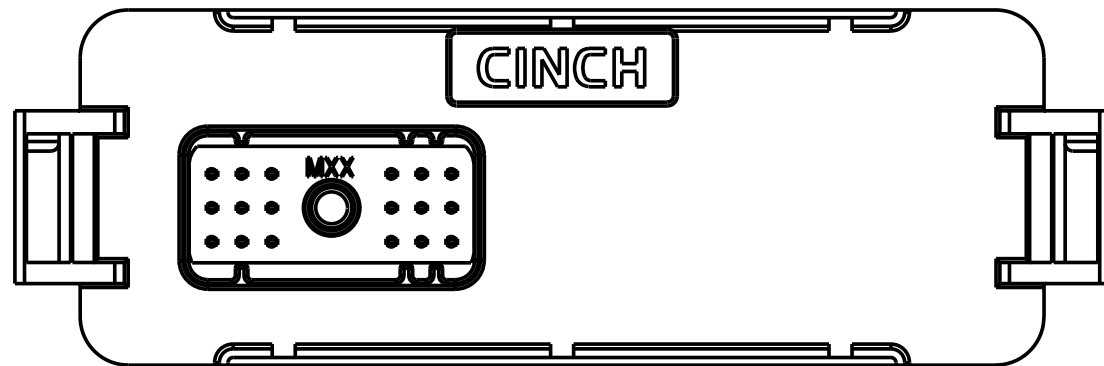
CINCH PART NUMBER MATRIX

P/N: 581 01 18 032

P/N: 581 01 18 033

18-WAY HEADER ASSEMBLY WITHOUT FERRITE FILTERS

18-WAY HEADER ASSEMBLY WITH FERRITE FILTERS



MATES WITH CINCH HARNESS CONNECTORS P/N:
581 01 18 023 (18-WAY)

DRAWING REVISIONS

REV	DOCUMENT	APP	DATE
A	REL. FOR PRODUCTION D.O. 05-1157	A.C.	7/21/05
B	ECN: 05A488 ADDED LEGS AND ADDED SLOTS TO RIBS	A.C.	9/27/05
C	ECN: 06A032 ADDED SHEET 5 ADDED SHEET 6 MODIFIED SHEET 3 MODIFIED SHEET 4	A.C.	3/23/06
D	ECN: 06A410 REFORMATTED DRAWING PCB LAYOUTS REDRAWN WITH ADDITIONAL KEEP OUT AREAS	A.C.	9/29/06

NOTE:

- ALL DIMENSIONS ARE IN INCHES;
DIMENSION INSIDE [.XX] ARE IN MM, AS REF. ONLY.
- MATERIALS:
INTERFACE SEAL: SILICONE RUBBER, COLOR BLUE;
INSULATOR: 30 % GLASS FILLED POLYMER, COLOR BLACK;
BUSHING: BRASS ALLOY, UNPLATED 10-24 UNC THREAD;
TERMINAL BLADE: 1.5 MM BRASS WITH TIN OVER NICKEL PLATING;
FILTERS: FERRITE BLOCKS.
- ALL HEADERS ARE REFLOW OR WAVE SOLDERING PROCESS, ROHS COMPLIANT.
- MATES WITH CINCH SHS PUSH-TO-SEAT HARNESS CONNECTORS (SEE TABLE ABOVE).
- THERMALLY CONDUCTIVE ADHESIVE PASTE SOLD SEPARATELY: RECOMMENDED IS LOCTITE 383.
- MOSFET SPRING PLATES ARE SOLD SEPARATELY (FOR INSTALLATION REFER TO ENCLOSURE ASSEMBLY INSTRUCTIONS)
SPRING LABELED AS "L" IS CINCH P/N: 581 00 00 020 AND SPRING LABELED AS "R" IS CINCH P/N: 581 00 00 021.
(IT IS RECOMMENDED THAT THE 4 SLOTS BE PROTECTED DURING CONFORMAL COATING)
- STANDARD PACKAGE SIZE: 72 PARTS/CARTON BOX.

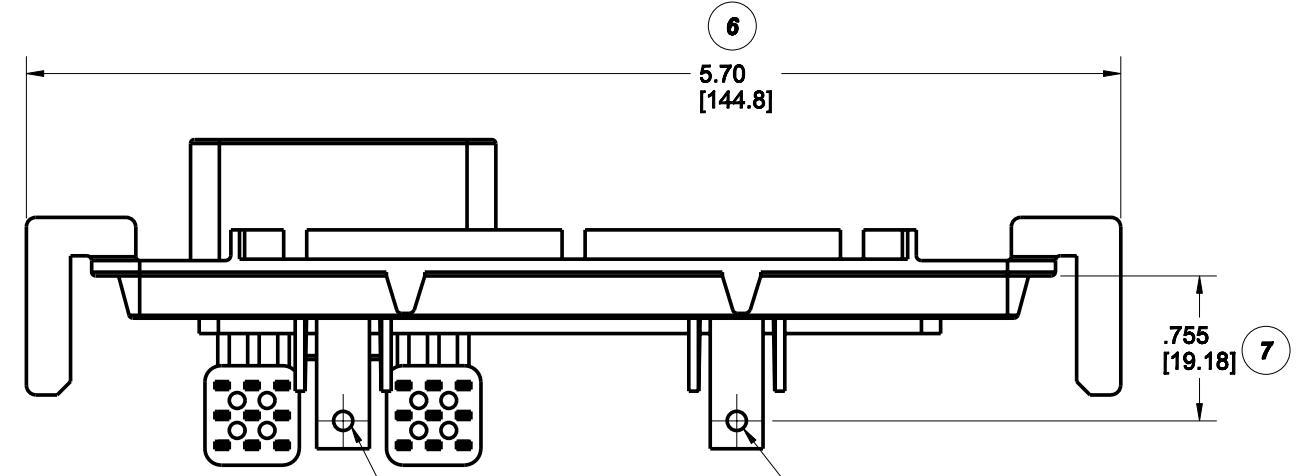
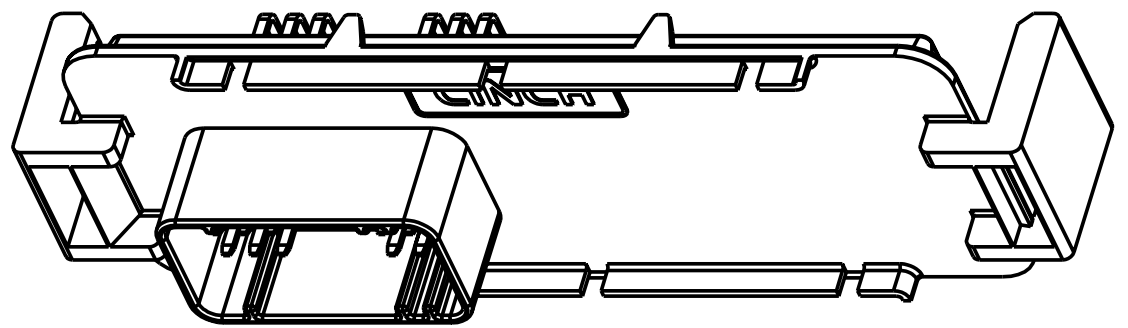
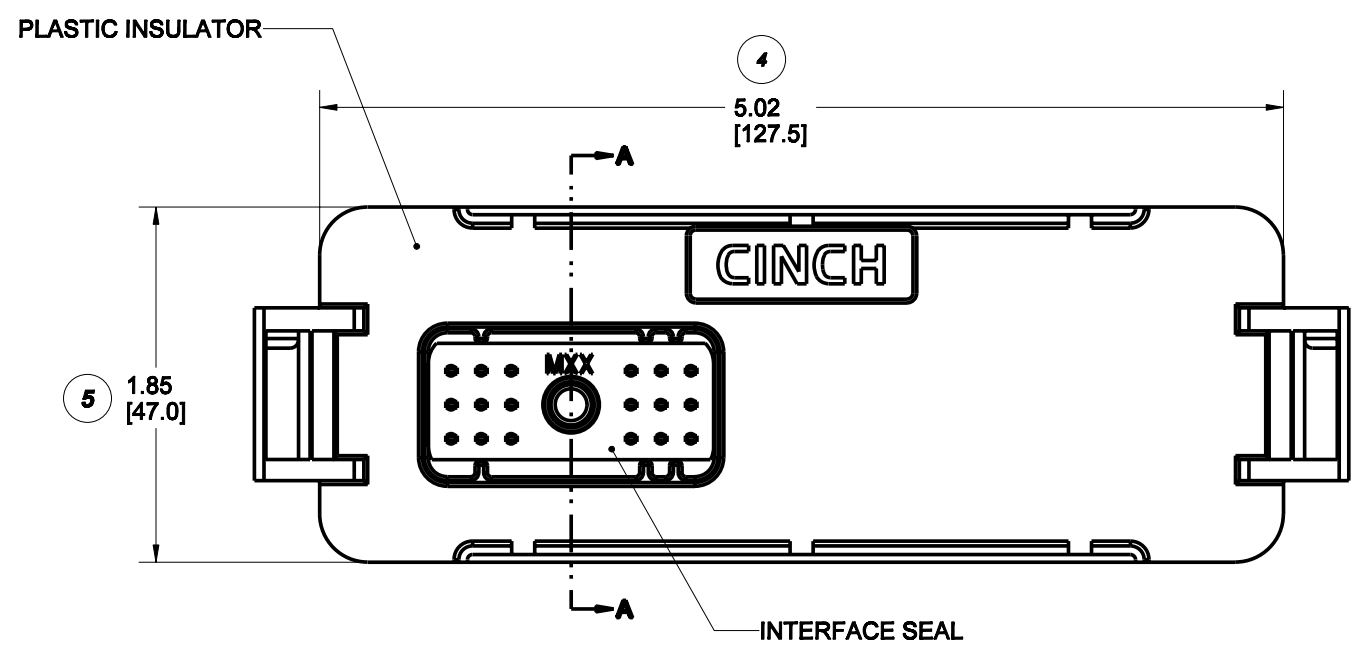
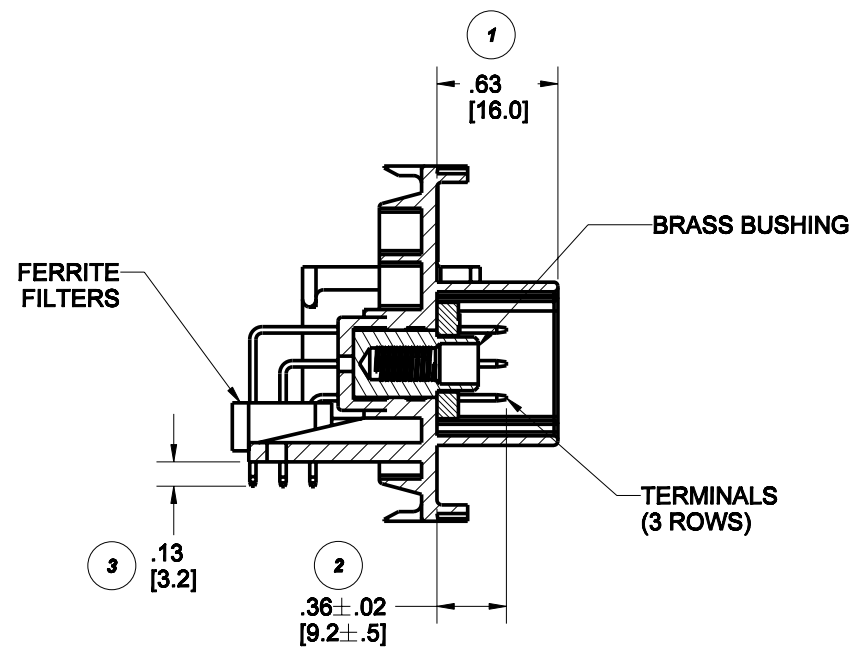
RoHS COMPLIANT

UNITS	ENGLISH	PRO/E	TITLE	CONTROL SPEC NUMBER
DO NOT SCALE DRAWING	UNLESS OTHERWISE SPECIFIED: ALL DIMENSIONS ARE IN INCHES	DATE	18-WAY HEADERS MODICE SE	
FILLET/RADII .02 MAX	TOLERANCES X ± .1 XX ± .01 XXX ± .005 ANGULAR ± .5	DESIGN ENGINEER	SEE NOTE 2.	PROJECT NUMBER A 14562
TOLERANCES AND LIMITS APPLY OVER ADDITIVE FINISH	THIS DOCUMENT IS THE PROPERTY OF CINCH. NEITHER THIS DOCUMENT NOR ANY OF THE INFORMATION CONTAINED IN IT MAY BE DUPLICATED OR DISCLOSED WITHOUT PRIOR WRITTEN CONSENT OF CINCH.	DESIGN ENGINEERING MGR.	MATERIAL SPEC NUMBER	FINISH
		MFG. ENGINEERING	CAD FILE NUMBER	DRAWING NUMBER
		QUALITY ASSURANCE	58101180328_HEADERS	581 01 18 032 S
			CAGE IDENT NO.	SCALE
			71785	1:1
			SIZE	SHEET 1 OF 6
			B	

MODELED BY:

Cinch

1700 FINLEY RD
LOMBARD, IL. 60148



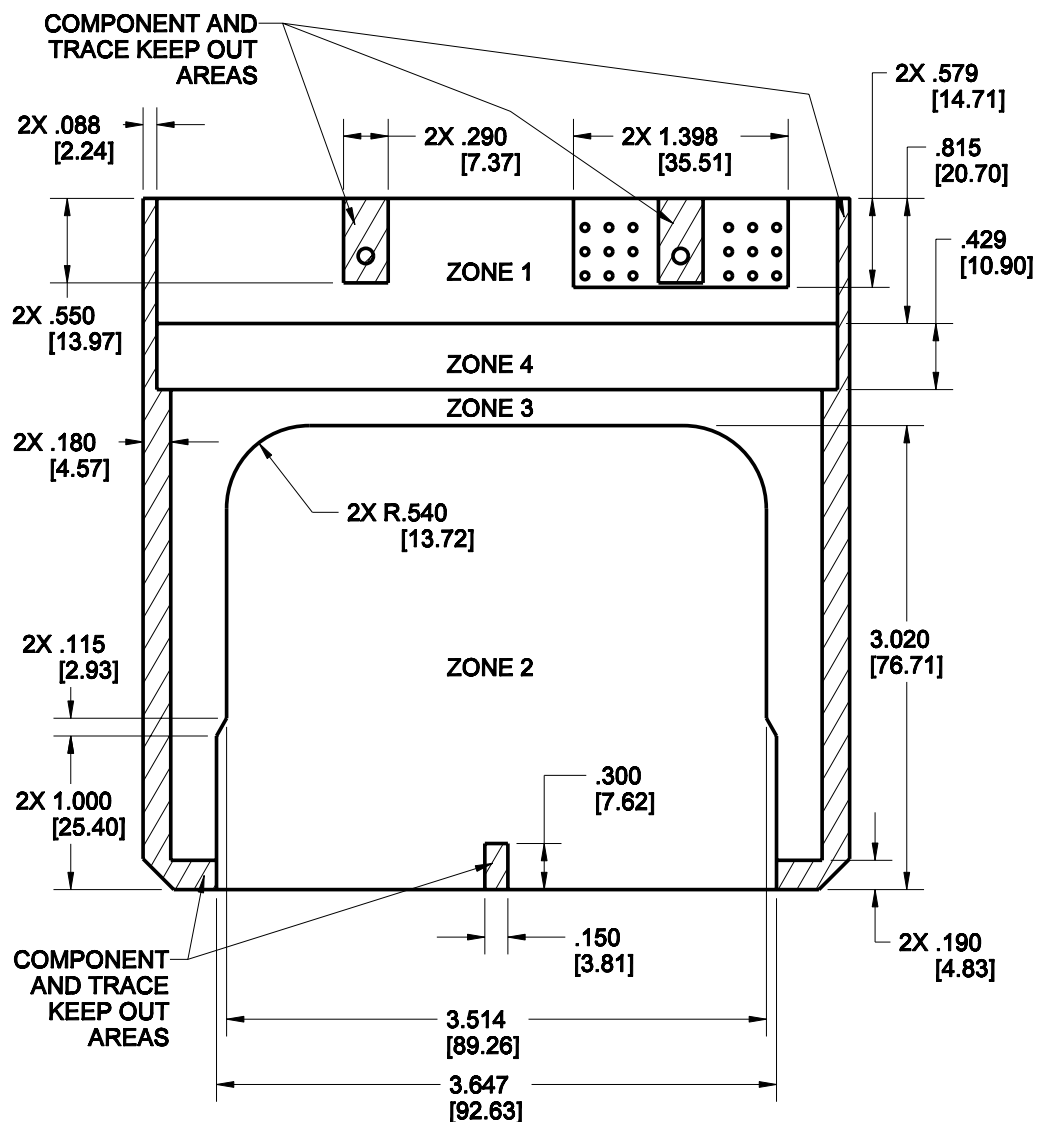
**CINCH P/N: 581 01 18 033 SHOWN
(HEADER WITH FILTERS)**

FOR PCB MOUNTING, #4
SELF-TAPPING SCREW IS
RECOMMENDED, TORQUE: 2-3
IN*LBS. [0.23-0.34 Nm]

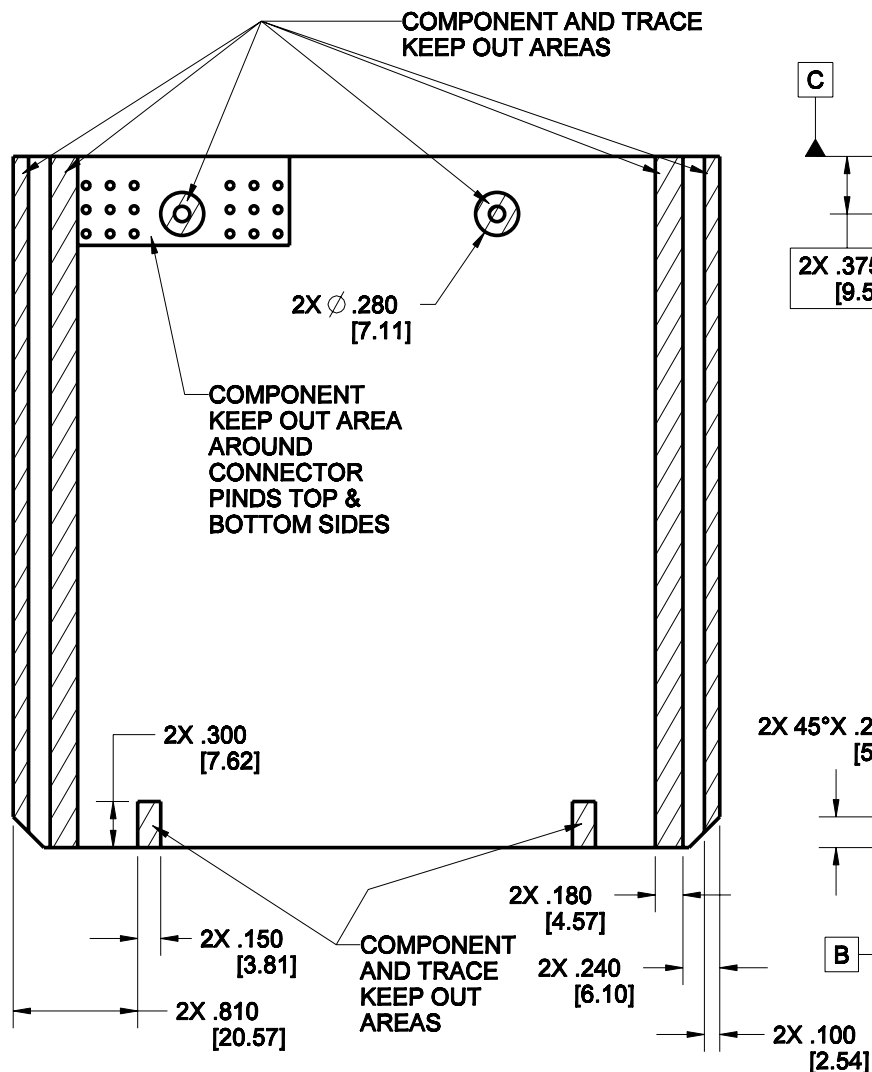
UNITS ENGLISH		Cinch		1700 FINLEY RD LOMBARD, IL 60148	
DO NOT SCALE DRAWING		TITLE 18-WAY HEADERS MODICE SE			
UNLESS OTHERWISE SPECIFIED: ALL DIMENSIONS ARE IN INCHES		PRO/E DRAWING			
FILLET/RADI .02 MAX	TOLERANCES X ± .1 .XX ± .01 .XXX ± .005 ANGULAR ± .5	CAD FILE NUMBER 5810118032S_HEADERS	DRAWING NUMBER 581 01 18 032 S	REV D	
THIS DOCUMENT IS THE PROPERTY OF CINCH. NEITHER THIS DOCUMENT NOR ANY OF THE INFORMATION CONTAINED IN IT MAY BE DUPLICATED OR DISCLOSED WITHOUT PRIOR WRITTEN CONSENT OF CINCH.		CAGE IDENT NO. 71785	SCALE B 1:1	SHEET 2 OF 6	

PCB LAYOUT WITHOUT HEAT SINKS

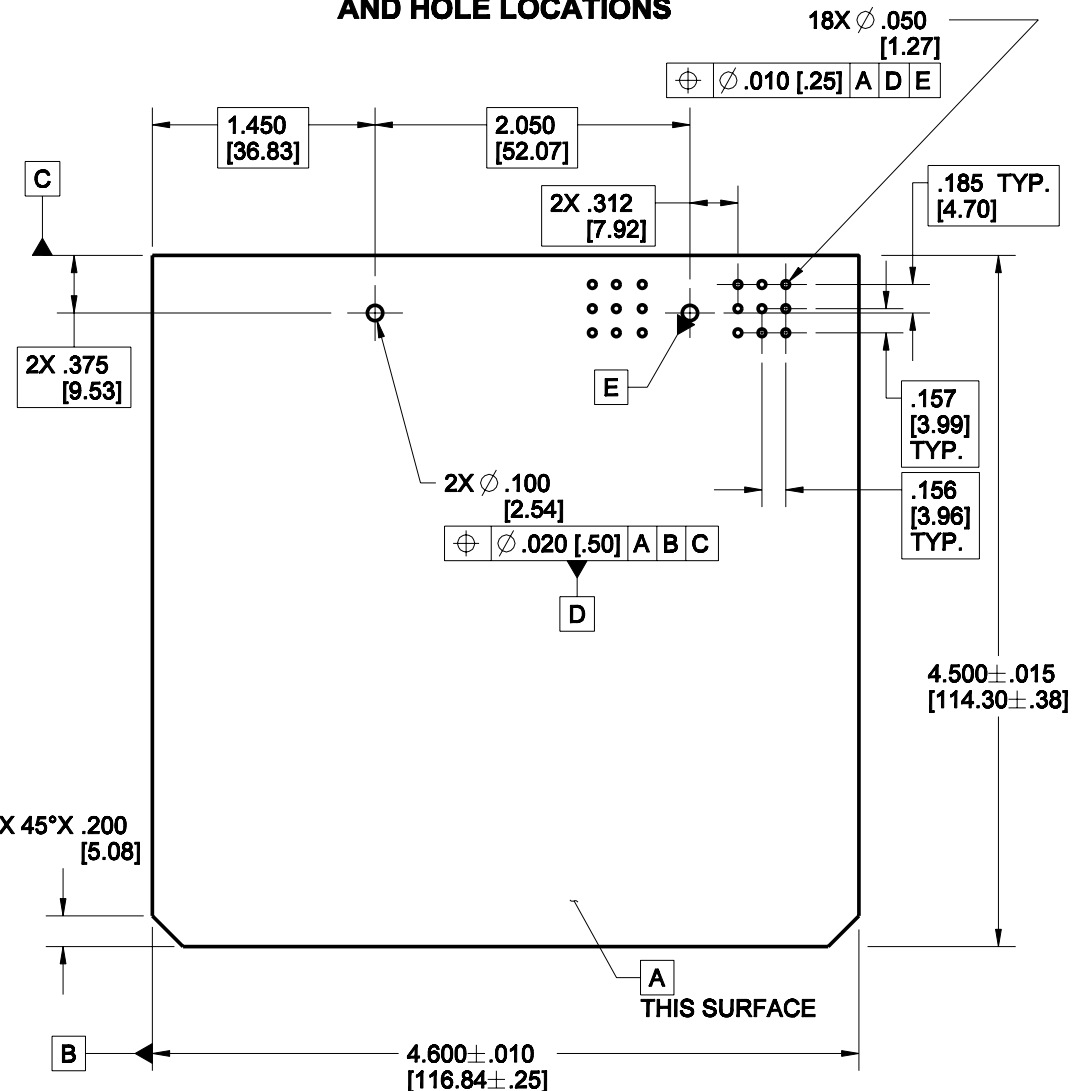
PCB TOP SIDE GENERAL ZONING & KEEP OUT AREAS



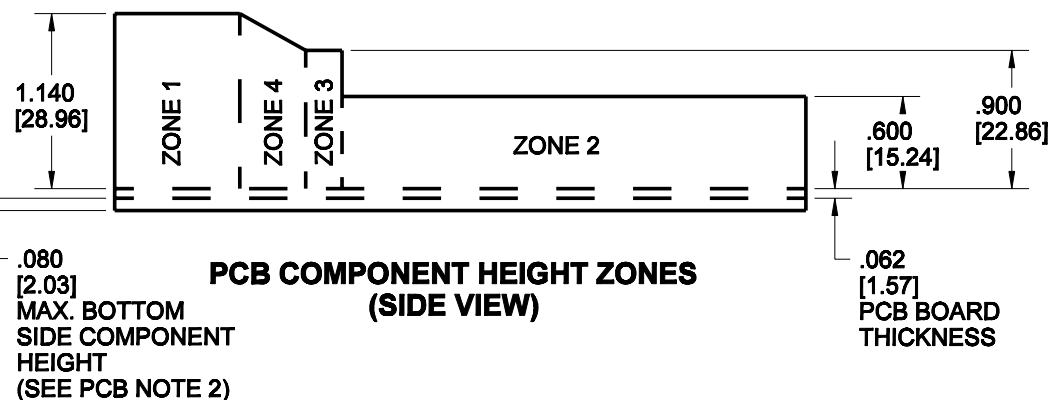
PCB BOTTOM SIDE GENERAL ZONING & KEEP OUT AREAS



PCB OVERALL DIMENSIONS AND HOLE LOCATIONS



PCB COMPONENT HEIGHT ZONES (SIDE VIEW)



PCB COMPONENTS HEIGHT LIMIT

	ZONE 1	ZONE 2	ZONE 3	ZONE 4
MAX. HEIGHT FOR COMPONENTS (ABOVE PCB)	1.140"	.600"	.900"	SEE PCB NOTE 3

PCB NOTES:

- ON BOTTOM SIDE OF THE PCB, COMPONENTS OR TRACES MUST BE MIN. .100" AWAY FROM THE EDGE OF THE PCB.
- THE BOTTOM SIDE OF THE PCB SHOULD NOT HAVE COMPONENTS OR LEADS THAT EXTEND HIGHER THAN .080" (SEE PG. 6 SIDE VIEW).
- AREA HAS VARIABLE HEIGHT. SEE PCB COMPONENT HEIGHT ZONES VIEW FOR DETAILS.

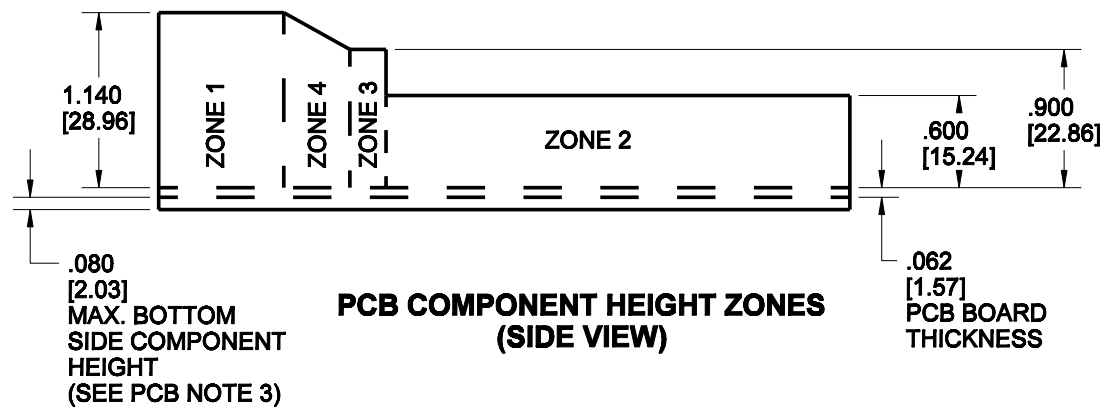
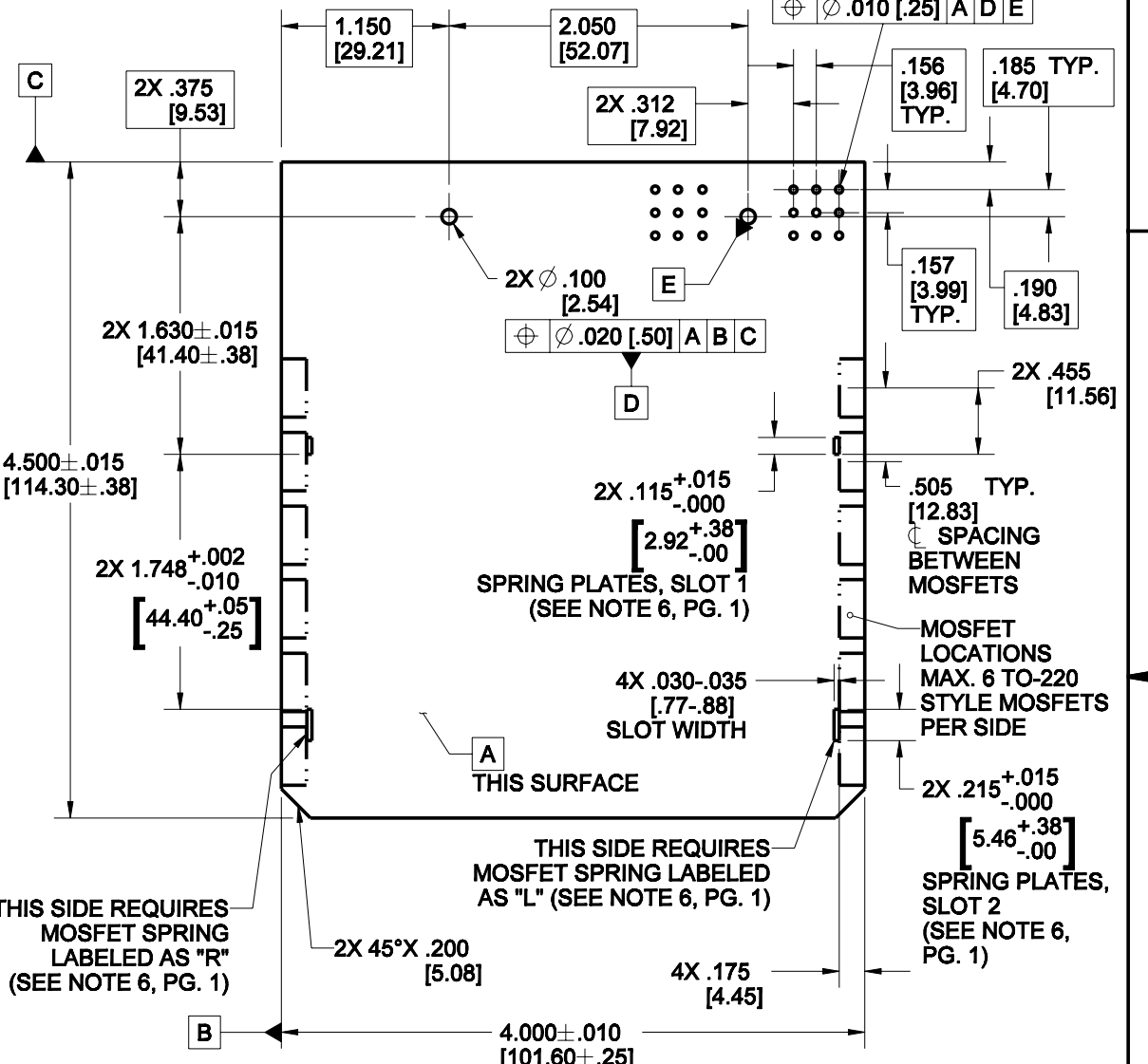
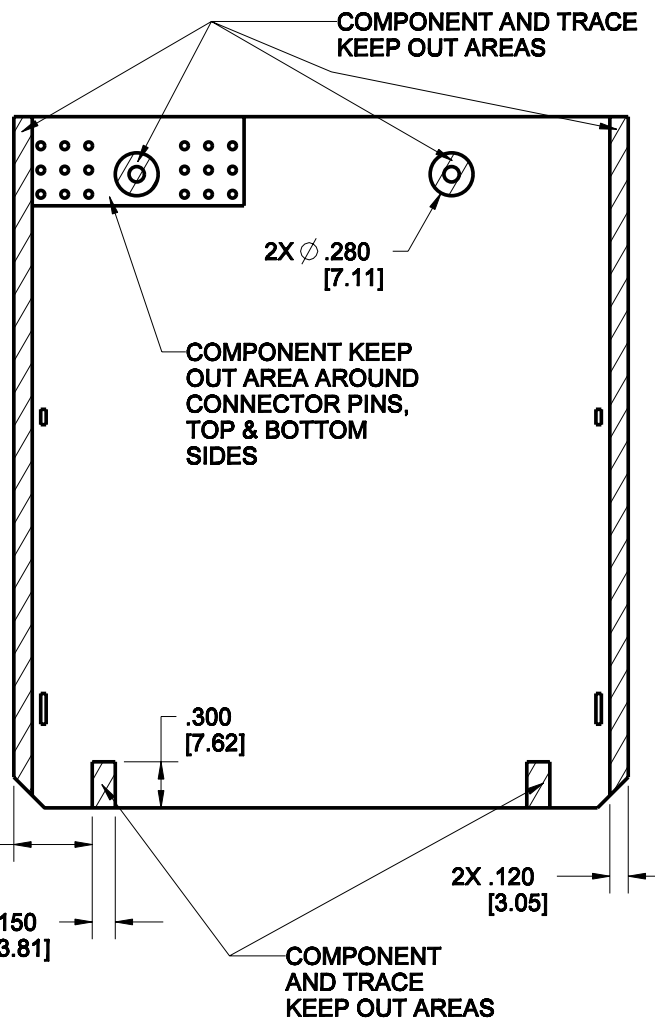
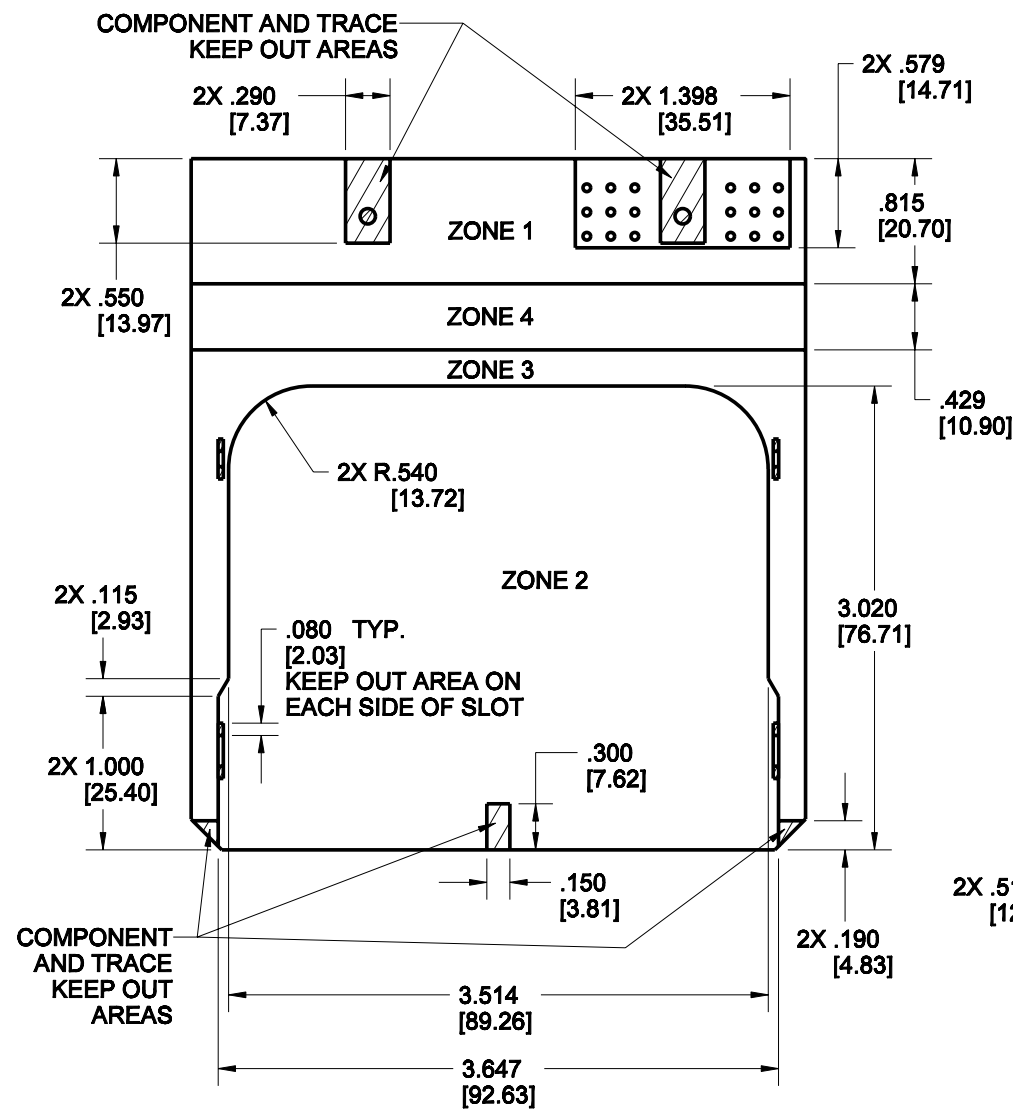
UNITS	ENGLISH		Cinch		1700 FINLEY RD LOMBARD, IL 60148	
DO NOT SCALE DRAWING					TITLE	
UNLESS OTHERWISE SPECIFIED: ALL DIMENSIONS ARE IN INCHES			PRO/E DRAWING			
FILLET/RADI	.02 MAX		TOLERANCES		X \pm .1 .XX \pm .01 .00X \pm .005 ANGULAR \pm .5	
TOLERANCES AND LIMITS APPLY OVER ADDITIVE FINISH			CAGE IDENT NO.		71785	
THIS DOCUMENT IS THE PROPERTY OF CINCH. NEITHER THIS DOCUMENT NOR ANY OF THE INFORMATION CONTAINED IN IT MAY BE DUPLICATED OR DISCLOSED WITHOUT PRIOR WRITTEN CONSENT OF CINCH.			DRAWING NUMBER		581 01 18 032 S	
			SCALE		4:5	
			SHEET		3 OF 6	

PCB LAYOUT WITH TWO HEAT SINKS

PCB TOP SIDE GENERAL ZONING & KEEP OUT AREAS

PCB BOTTOM SIDE GENERAL ZONING & KEEP OUT AREAS

PCB OVERALL DIMENSIONS AND HOLE LOCATIONS



PCB COMPONENTS HEIGHT LIMIT

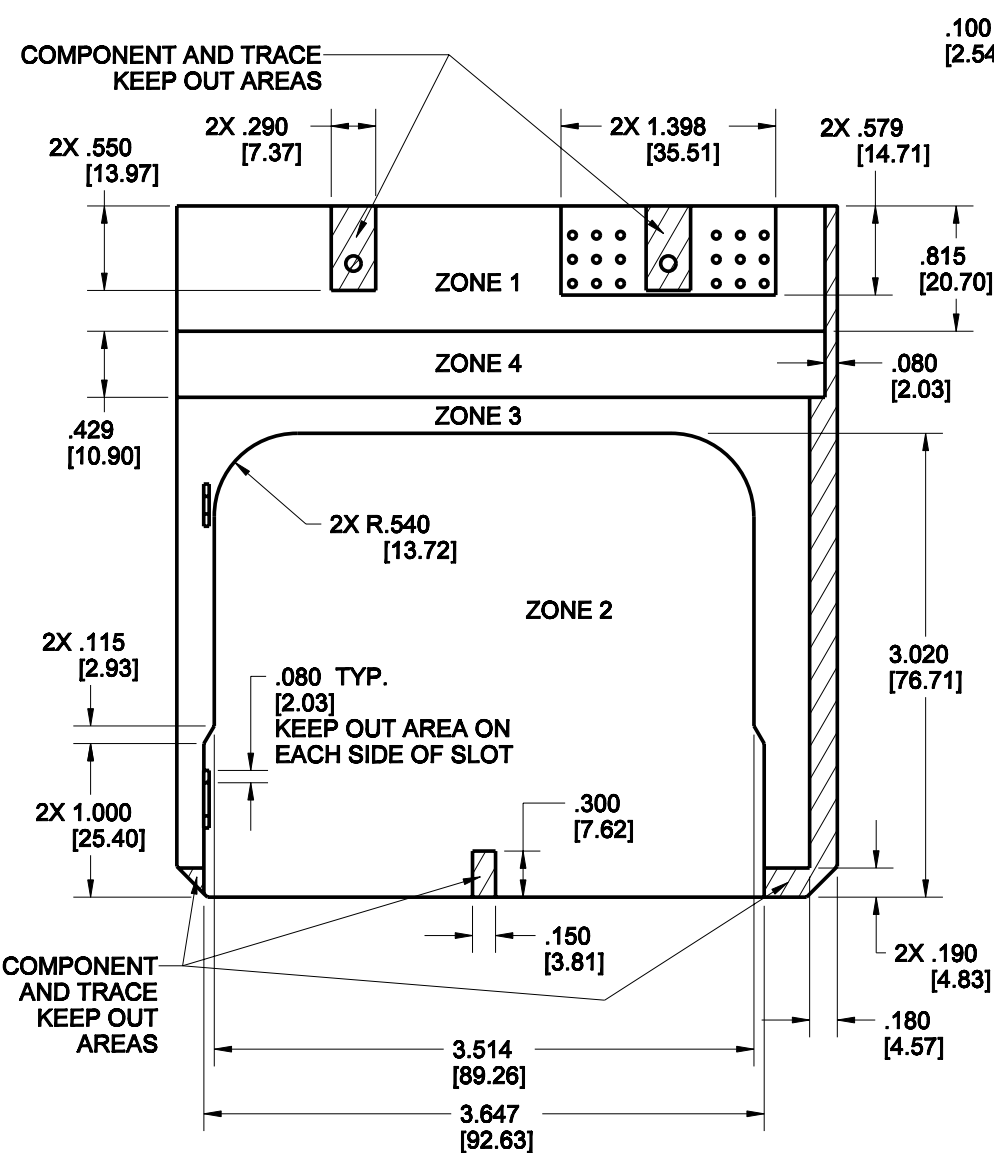
	ZONE 1	ZONE 2	ZONE 3	ZONE 4
MAX. HEIGHT FOR COMPONENTS (ABOVE PCB)	1.140"	.600"	.900"	SEE PCB NOTE 4

- PCB NOTES:**
- IF MOSFET SPRINGS ARE USED, ZONE 3 SHOULD CONTAIN ONLY MOSFETS AND TRACES BETWEEN THE SPRINGS AND EDGE OF THE BOARD.
 - ON BOTTOM SIDE OF THE PCB, COMPONENTS OR TRACES MUST BE MIN. .100" AWAY FROM THE EDGE OF THE PCB.
 - THE BOTTOM SIDE OF THE PCB SHOULD NOT HAVE COMPONENTS OR LEADS THAT EXTEND HIGHER THAN .080" (SEE PG. 6 SIDE VIEW).
 - AREA HAS VARIABLE HEIGHT. SEE PCB COMPONENT HEIGHT ZONES VIEW FOR DETAILS.

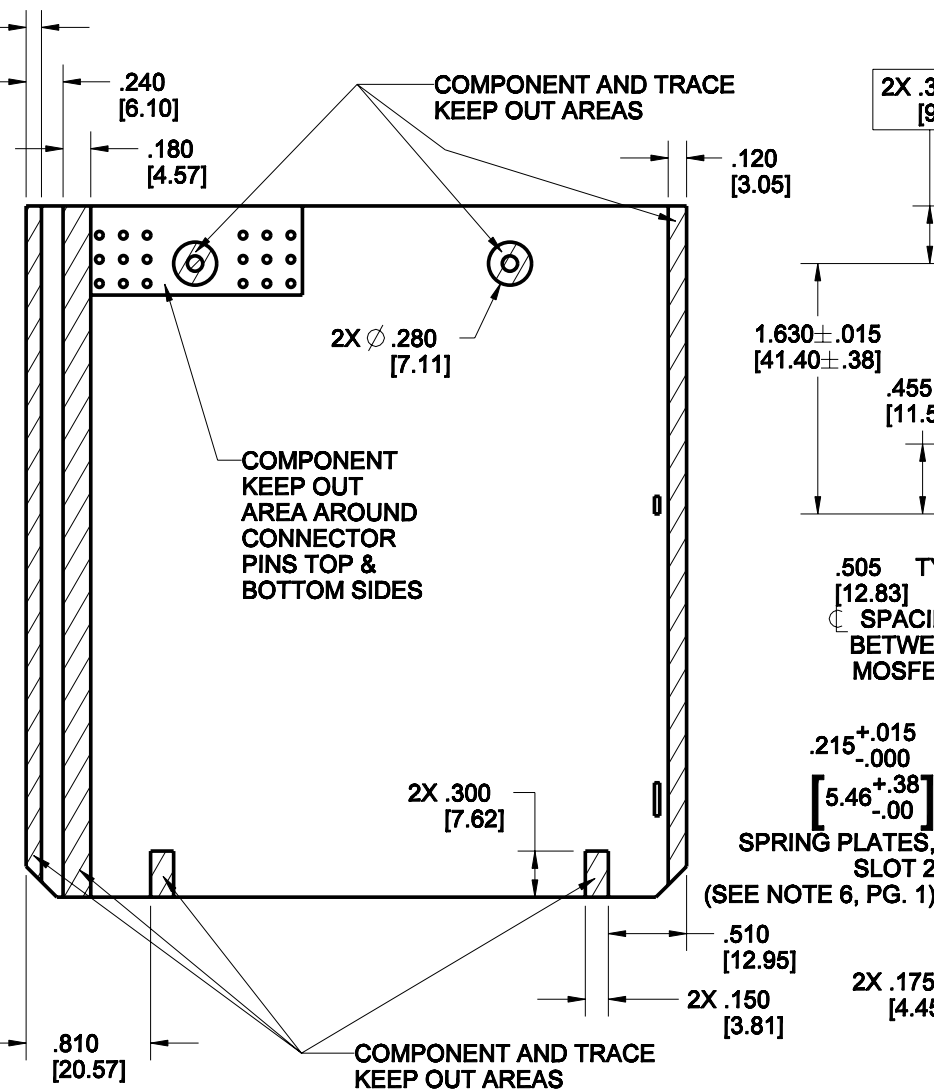
UNITS	ENGLISH		Cinch 1700 FINLEY RD LOMBARD, IL 60148	
DO NOT SCALE DRAWING				
UNLESS OTHERWISE SPECIFIED: ALL DIMENSIONS ARE IN INCHES			TITLE	
FILLET/RADI .02 MAX			18-WAY HEADERS MODICE SE	
TOLERANCES AND LIMITS APPLY OVER ADDITIVE FINISH			PRO/E DRAWING	
TOLERANCES X ± .1 .XX ± .01 .00X ± .005 ANGULAR ± .5			CAD FILE NUMBER	DRAWING NUMBER
THIS DOCUMENT IS THE PROPERTY OF CINCH. NEITHER THIS DOCUMENT NOR ANY OF THE INFORMATION CONTAINED IN IT MAY BE DUPLICATED OR DISCLOSED WITHOUT PRIOR WRITTEN CONSENT OF CINCH.			58101180328_HEADERS	581 01 18 032 S
			CAGE IDENT NO.	REV
			71785	D
			SCALE	
			4:5	
			SHEET 4 OF 6	

PCB LAYOUT WITH ONE HEAT SINK

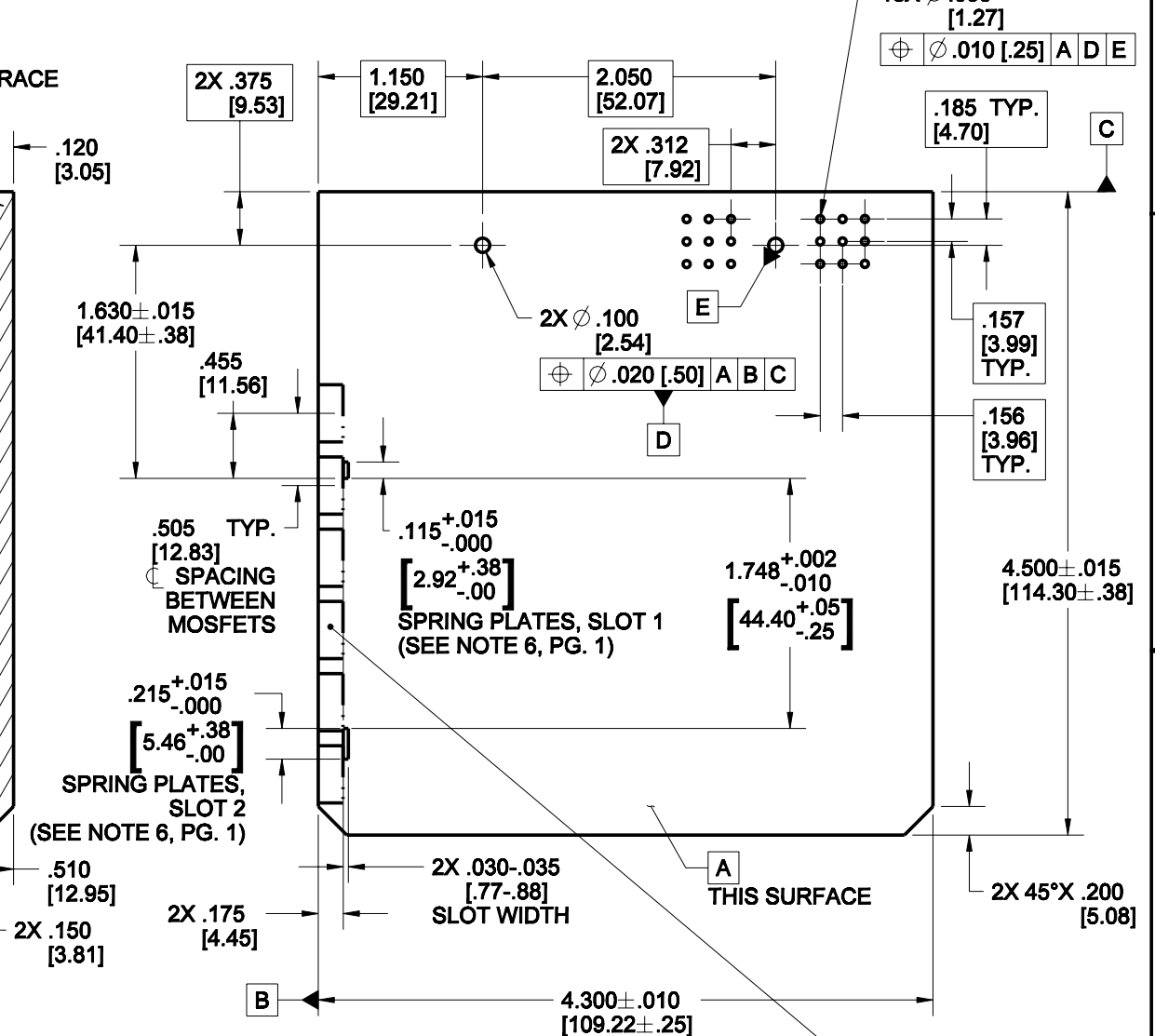
PCB TOP SIDE GENERAL ZONING & KEEP OUT AREAS



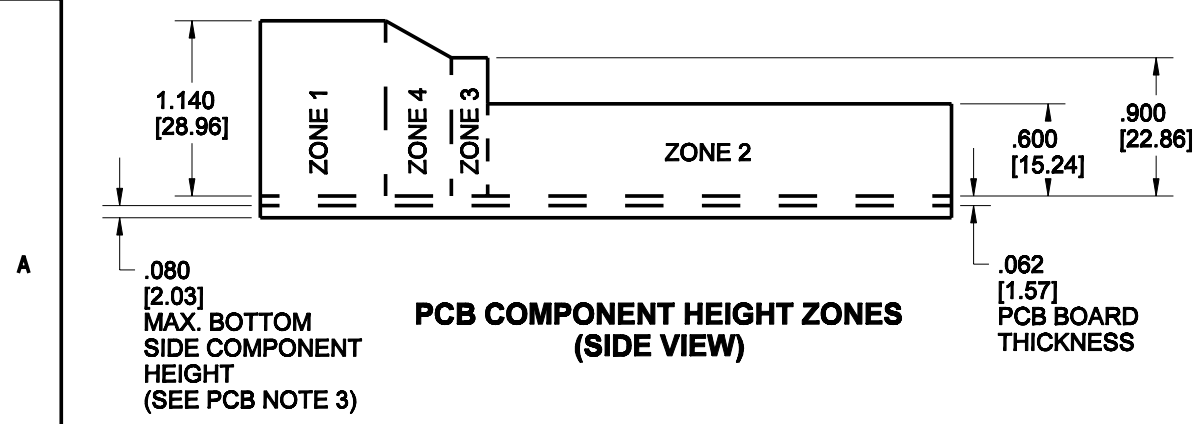
PCB BOTTOM SIDE GENERAL ZONING & KEEP OUT AREAS



PCB OVERALL DIMENSIONS AND HOLE LOCATIONS



MOSFET LOCATION(S)
MAX. 6 TO-220 STYLE
MOSFETS THIS SIDE ONLY
THIS SIDE REQUIRES
MOSFET SPRING LABELED
AS "R" (SEE NOTE 6, PG. 1)



PCB COMPONENTS HEIGHT LIMIT

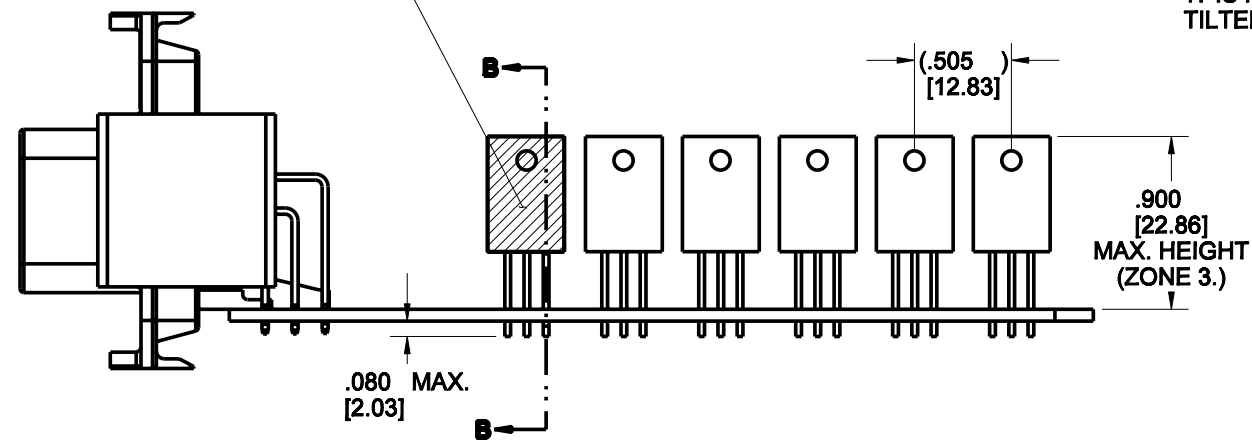
	ZONE 1	ZONE 2	ZONE 3	ZONE 4
MAX. HEIGHT FOR COMPONENTS (ABOVE PCB)	1.140"	.600"	.900"	SEE PCB NOTE 4

PCB NOTES:

- IF MOSFET SPRINGS ARE USED, ZONE 3 SHOULD CONTAIN ONLY MOSFETS AND TRACES BETWEEN THE SPRINGS AND EDGE OF THE BOARD.
- ON BOTTOM SIDE OF THE PCB, COMPONENTS OR TRACES MUST BE MIN. .100" AWAY FROM THE EDGE OF THE PCB.
- THE BOTTOM SIDE OF THE PCB SHOULD NOT HAVE COMPONENTS OR LEADS THAT EXTEND HIGHER THAN .080" (SEE PG. 6 SIDE VIEW).
- AREA HAS VARIABLE HEIGHT. SEE PCB COMPONENT HEIGHT ZONES VIEW FOR DETAILS.

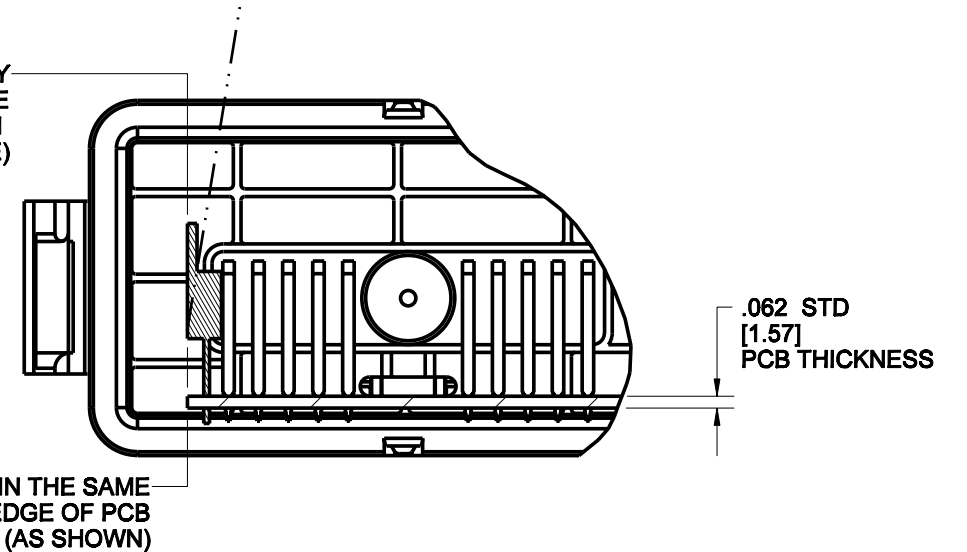
UNITS	ENGLISH				1700 FINLEY RD LOMBARD, IL 60148	
DO NOT SCALE DRAWING					TITLE	
UNLESS OTHERWISE SPECIFIED: ALL DIMENSIONS ARE IN INCHES			TOLERANCES		PRO/E DRAWING	
FILLET/RADI .02 MAX			X \pm .1		CAGE IDENT NO.	
TOLERANCES AND LIMITS APPLY OVER ADDITIVE FINISH			.XX \pm .01		SIZE	
			.00X \pm .005		SCALE	
			ANGULAR \pm .5		4:5	
THIS DOCUMENT IS THE PROPERTY OF CINCH. NEITHER THIS DOCUMENT NOR ANY OF THE INFORMATION CONTAINED IN IT MAY BE DUPLICATED OR DISCLOSED WITHOUT PRIOR WRITTEN CONSENT OF CINCH.			CAD FILE NUMBER		DRAWING NUMBER	
			5810118032S_HEADERS		581 01 18 032 S	
			CAGE IDENT NO.		REV	
			71785		D	
			B		SHEET 5 OF 6	

APPLY THIN BEAD OF THERMALLY CONDUCTIVE ADHESIVE PASTE TO ENTIRE MOSFET SURFACE. (SEE NOTE 5.)



**SIDE VIEW
REQUIRED TO-220 PACKAGE PROFILE**

FOR EASE OF ASSEMBLY IT IS RECOMMENDED THAT MOSFET(S) BE TILTED UP TO 10° IN POSITIVE DIRECTION (SEE DOTTED LINE)



**REQUIRED TO-220 PACKAGING PROFILE
PARTIAL SECTION B-B**

UNITS ENGLISH	Cinch		1700 FINLEY RD LOMBARD, IL 60148
DO NOT SCALE DRAWING	TITLE 18-WAY HEADERS MODICE SE		
UNLESS OTHERWISE SPECIFIED: ALL DIMENSIONS ARE IN INCHES	PRO/E DRAWING		
FILLET/RADI .02 MAX	TOLERANCES X ± .1 .0X ± .01 .00X ± .005 ANGULAR ± .5	CAD FILE NUMBER 5810118032S_HEADERS	DRAWING NUMBER 581 01 18 032 S
TOLERANCES AND LIMITS APPLY OVER ADDITIVE FINISH	CAGE IDENT NO. 71785	SIZE B	SCALE 1:1
THIS DOCUMENT IS THE PROPERTY OF CINCH. NEITHER THIS DOCUMENT NOR ANY OF THE INFORMATION CONTAINED IN IT MAY BE DUPLICATED OR DISCLOSED WITHOUT PRIOR WRITTEN CONSENT OF CINCH.	SHEET 6 OF 6		REV D