



Chipsmall Limited consists of a professional team with an average of over 10 year of expertise in the distribution of electronic components. Based in Hongkong, we have already established firm and mutual-benefit business relationships with customers from,Europe,America and south Asia,supplying obsolete and hard-to-find components to meet their specific needs.

With the principle of “Quality Parts,Customers Priority,Honest Operation,and Considerate Service”,our business mainly focus on the distribution of electronic components. Line cards we deal with include Microchip,ALPS,ROHM,Xilinx,Pulse,ON,Everlight and Freescale. Main products comprise IC,Modules,Potentiometer,IC Socket,Relay,Connector.Our parts cover such applications as commercial,industrial, and automotives areas.

We are looking forward to setting up business relationship with you and hope to provide you with the best service and solution. Let us make a better world for our industry!



Contact us

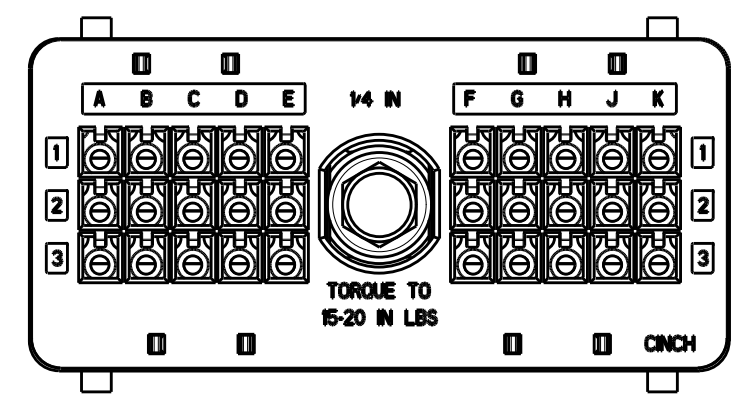
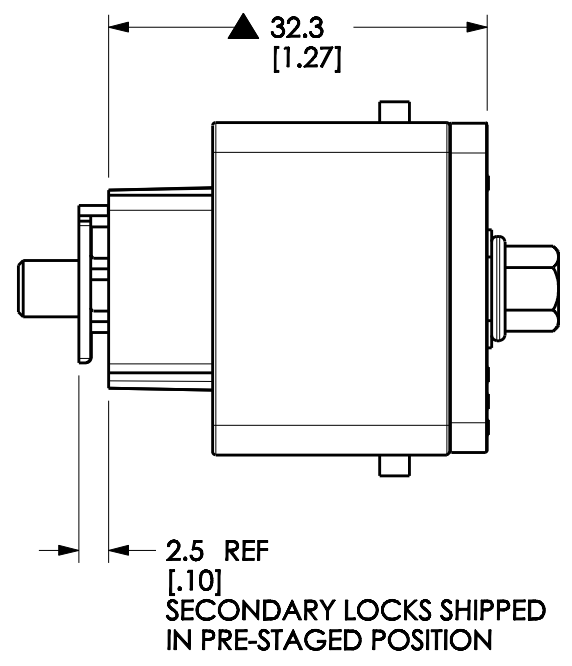
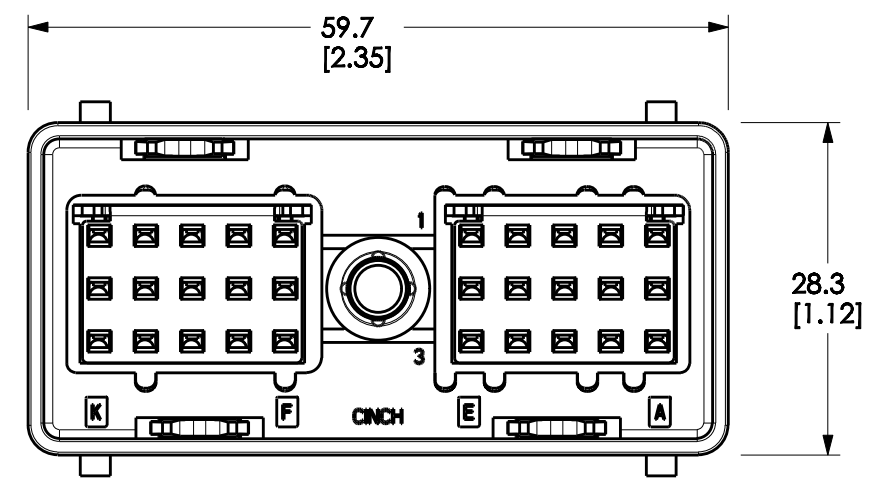
Tel: +86-755-8981 8866 Fax: +86-755-8427 6832

Email & Skype: info@chipsmall.com Web: www.chipsmall.com

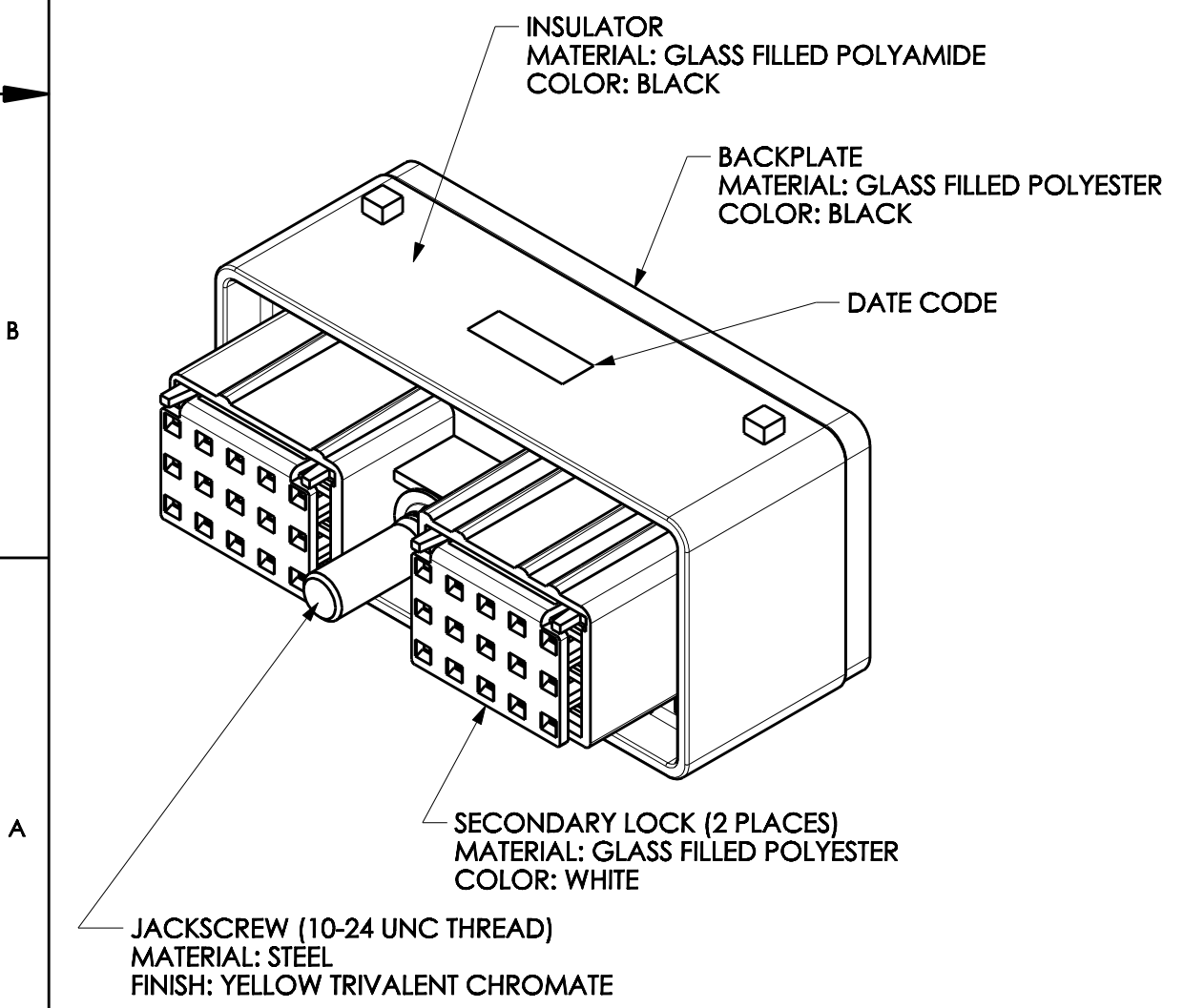
Address: A1208, Overseas Decoration Building, #122 Zhenhua RD., Futian, Shenzhen, China



DRAWING REVISIONS (RELEASE DATE ON FILE)			
REV	DOCUMENT	APP	APPROVAL DATE
E	PER CO # 851	V.R.	02/09/10



REAR VIEW



- NOTES:**
1. ALL DIMENSIONS SHOWN AS MILLIMETERS [INCHES].
 2. FOR ALL WIRE SIZE APPLICATIONS, CONSULT FACTORY.
 3. FEMALE TERMINALS ORDERED SEPARATELY: P/N 425 00 00 873/872.
 4. PART MATES WITH CINCH HEADER CONNECTORS, CONSULT FACTORY.
 5. SEAL PLUGS ORDERED SEPARATELY: P/N 581 00 00 011.
 6. DRAWING TOLERANCES: (UNLESS OTHERWISE SPECIFIED)
X.X = ±0.5mm
X.XX = ±0.25mm
 7. SEALING RANGE FOR WIRE INSULATION DIAMETER:
2.64mm [.104"] MAXIMUM; 1.96mm [.077"] MINIMUM.
 8. A TRIANGLE "▲" INDICATES A CHARACTERISTIC REQUIRING INSPECTION VERIFICATION.
 9. IF TIE-WRAP DRESSING CONDUCTORS, CINCH RECOMMENDS A SPACING OF NO LESS THAN 2 INCHES BEHIND THE BACK PLATE.

UNITS		PRO/E		CINCH		MODELED BY: J. DRYE			
DO NOT SCALE DRAWING		DESIGN ENGINEER	DATE	TITLE					
UNLESS OTHERWISE SPECIFIED: ALL DIMENSIONS ARE IN mm		A.CAINES	05/03/01	CONNECTOR ASSEMBLY SOCKET 30 POSITION					
FILLET/RADII 0.50 MAX.		APPROVALS ON FILE		MATERIAL		CONTROL SPEC NUMBER			
TOLERANCES X ± 0.3 XX ± 0.13 XXX ± 0.025 ANGULAR ± 0.5				MATERIAL SPEC NUMBER		FINISH		PROJECT NUMBER	
CONFIDENTIAL THIS DOCUMENT IS THE PROPERTY OF CINCH. NEITHER THIS DOCUMENT NOR ANY OF THE INFORMATION CONTAINED IN IT MAY BE DUPLICATED OR DISCLOSED WITHOUT PRIOR WRITTEN CONSENT OF CINCH. ©COPYRIGHT 2010 CINCH				CAD FILE NUMBER		DRAWING NUMBER		A14243	
				5810130029S		5810130029S			
				CAGE IDENT NO. 71785		SIZE B			
				SCALE 1.500		SHEET 1 OF 1			