



Chipsmall Limited consists of a professional team with an average of over 10 year of expertise in the distribution of electronic components. Based in Hongkong, we have already established firm and mutual-benefit business relationships with customers from,Europe,America and south Asia,supplying obsolete and hard-to-find components to meet their specific needs.

With the principle of “Quality Parts,Customers Priority,Honest Operation,and Considerate Service”,our business mainly focus on the distribution of electronic components. Line cards we deal with include Microchip,ALPS,ROHM,Xilinx,Pulse,ON,Everlight and Freescale. Main products comprise IC,Modules,Potentiometer,IC Socket,Relay,Connector.Our parts cover such applications as commercial,industrial, and automotives areas.

We are looking forward to setting up business relationship with you and hope to provide you with the best service and solution. Let us make a better world for our industry!



Contact us

Tel: +86-755-8981 8866 Fax: +86-755-8427 6832

Email & Skype: info@chipsmall.com Web: www.chipsmall.com

Address: A1208, Overseas Decoration Building, #122 Zhenhua RD., Futian, Shenzhen, China



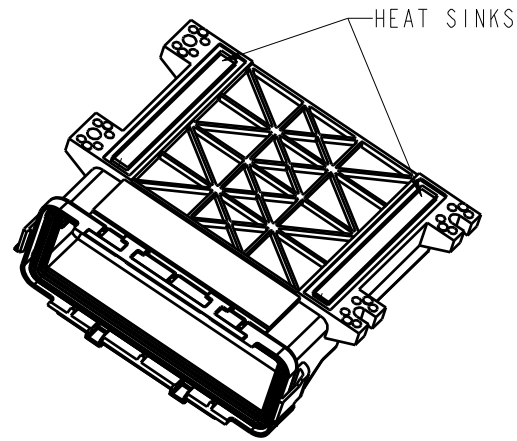
CINCH PART NUMBER MATRIX

DRAWING REVISIONS

REV	DOCUMENT	APP	DATE
A	REL. FOR PRODUCTION D.O. 05-1157	A.C.	7/21/05
B	ECN: 05A467 SHROUD MODIFIED	A.C.	9/27/05
C	ECN: 06A148 MOD. NOTE 4, A8 MOD. HOLE CALLOUT, A5 ADDED TORQUE PATTERN NOTE ADDED TORQUE SPEC. NOTE B1; RE-DIMENSIONED PART TO 5.295, WAS 5.26	A.C.	5/1/06
D	ECN: 07A548 ADDED PART NUMBERS: 581 01 30 057 581 01 30 058 581 01 30 059 ONE HEAT SINK VERSIONS NOW USE SPACER; REVISED TORQUE NOTE	A.C.	2/22/08

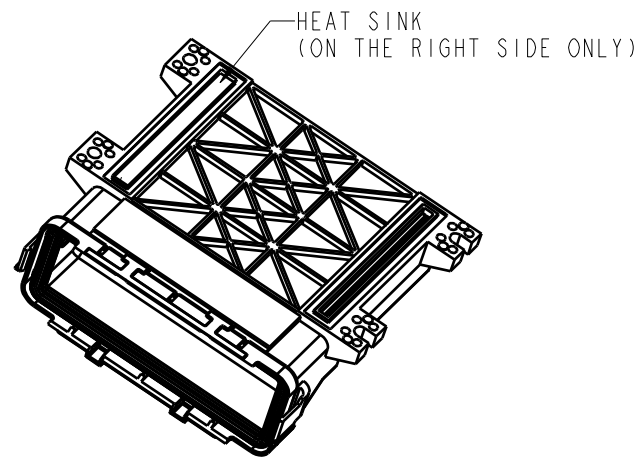
P/N: 581 01 30 041

ENCLOSURE WITH TWO HEAT SINKS



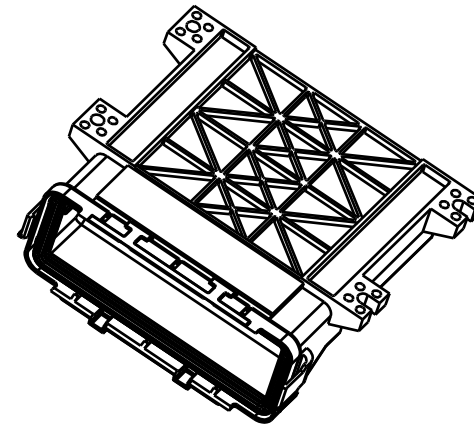
P/N: 581 01 30 042

ENCLOSURE WITH ONE HEAT SINK



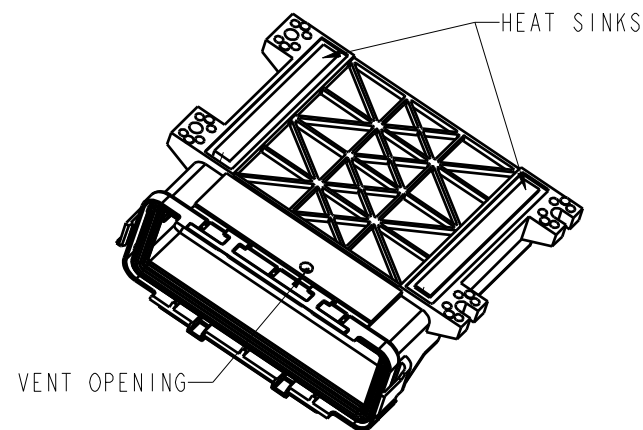
P/N: 581 01 30 043

ENCLOSURE WITHOUT HEAT SINKS



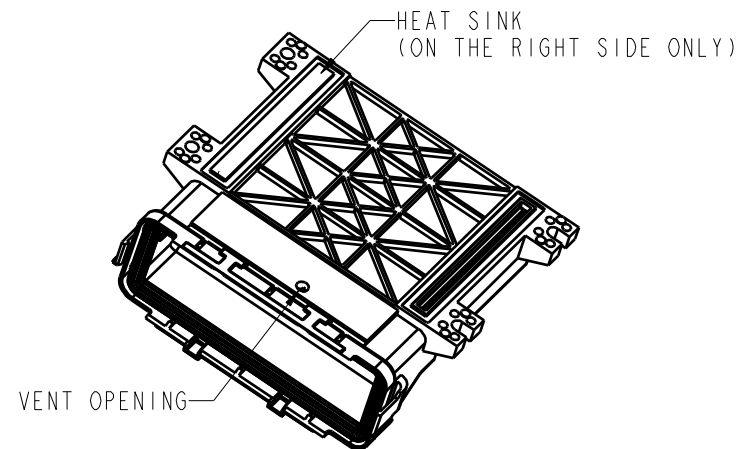
P/N: 581 01 30 057

ENCLOSURE WITH TWO HEAT SINKS & MEMBRANE VENT



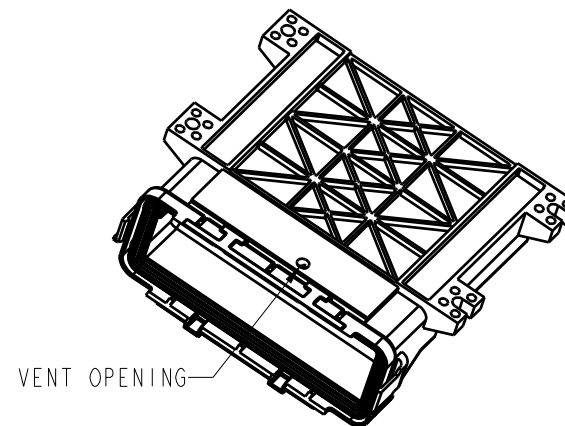
P/N: 581 01 30 058

ENCLOSURE WITH ONE HEAT SINK & MEMBRANE VENT



P/N: 581 01 30 059

ENCLOSURE WITHOUT HEAT SINKS & MEMBRANE VENT



NOTE:

- ALL DIMENSIONS ARE IN INCHES; DIMENSIONS IN [.XX] ARE IN mm AS REF. ONLY.
- MATERIALS:
ENCLOSURE: 30 % GLASS FILLED POLYMER, COLOR BLACK;
PERIPHERAL SEAL: SILICONE RUBBER, COLOR BLUE.
HEAT SINK: ANODIZED ALUMINUM ALLOY.
- HEADERS ARE SOLD SEPARATELY (CONSULT FACTORY FOR P/N);
FOR PCB SIZE AND REQUIREMENTS REFER TO HEADER DRAWINGS.
- STANDARD PACKAGE SIZE: 21 PARTS / CARTON BOX.

RoHS COMPLIANT

MODELED BY:
B.K.

UNITS	ENGLISH	PRO/E	Cinch	
DO NOT SCALE DRAWING	UNLESS OTHERWISE SPECIFIED: ALL DIMENSIONS ARE IN INCHES FILLET/RADII .02 MAX		1700 FINLEY RD LOMBARD, IL. 60148	
TOLERANCES AND LIMITS APPLY OVER ADDITIVE FINISH	TOLERANCES .XX ± .01 .XXX ± .005 ANGULAR ± .5°	DRAWN BY B. KOSTIC DATE 09/14/04 DESIGN ENGINEER B. KOSTIC DESIGN ENGINEERING MGR. A. CAINES MFG. ENGINEERING R. GARZA QUALITY ASSURANCE R. QUIROZ	TITLE ENCLOSURE ASSEMBLY MODICE SE MATERIAL SEE NOTE 2. MATERIAL SPEC NUMBER FINISH CAD FILE NUMBER 5810130041S_ICE30 DRAWING NUMBER 581 01 30 041S CAGE IDENT NO. SIZE 71785 B SCALE 3:10	CONTROL SPEC NUMBER PROJECT NUMBER A 14562 SHEET 1 OF 2

D

C

B

A

D

C

B

A

8

7

6

5

4

3

2

1

8

7

6

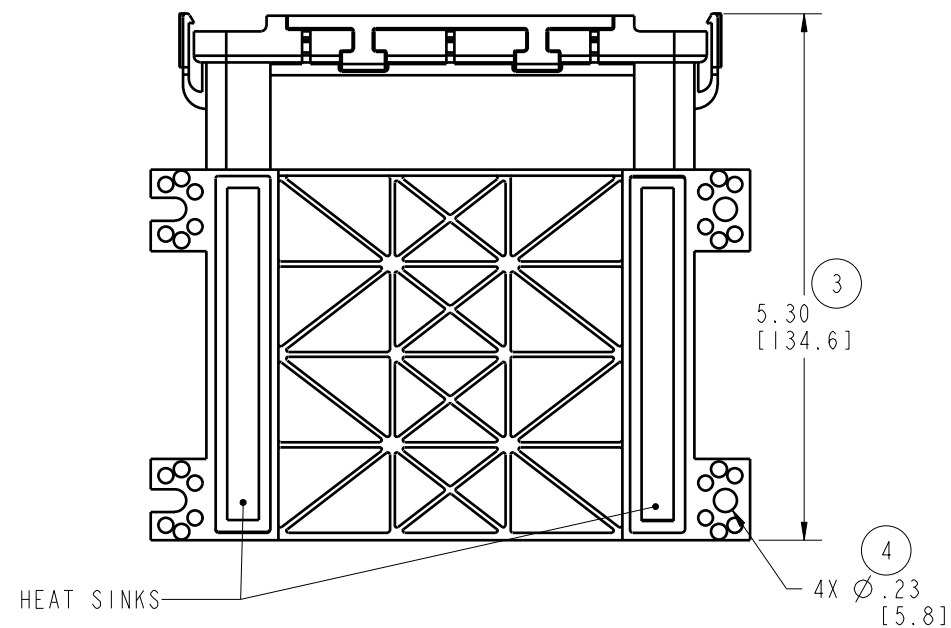
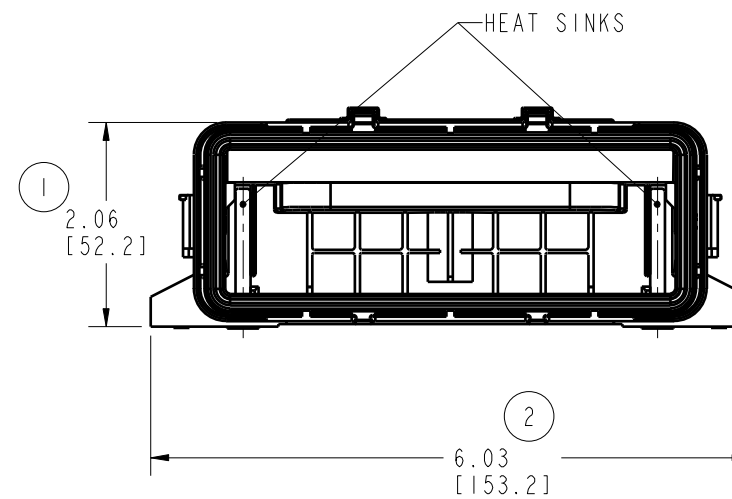
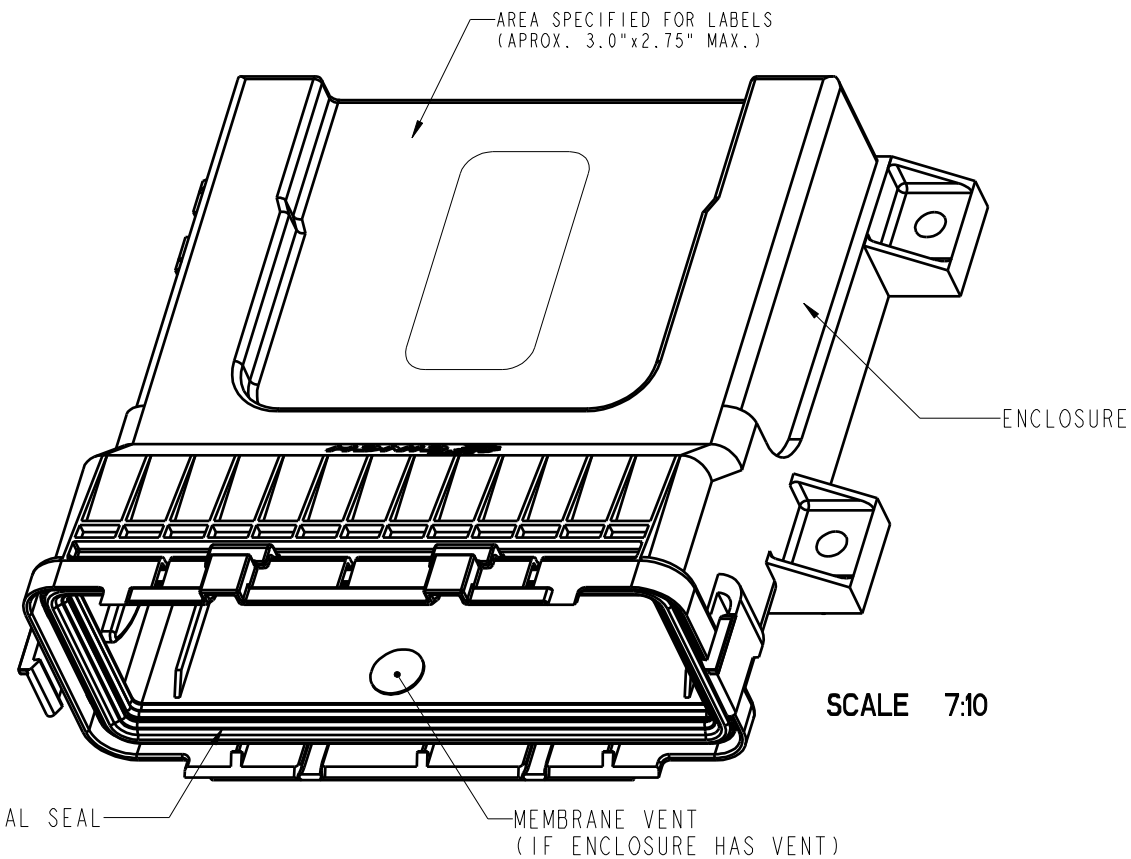
5

4

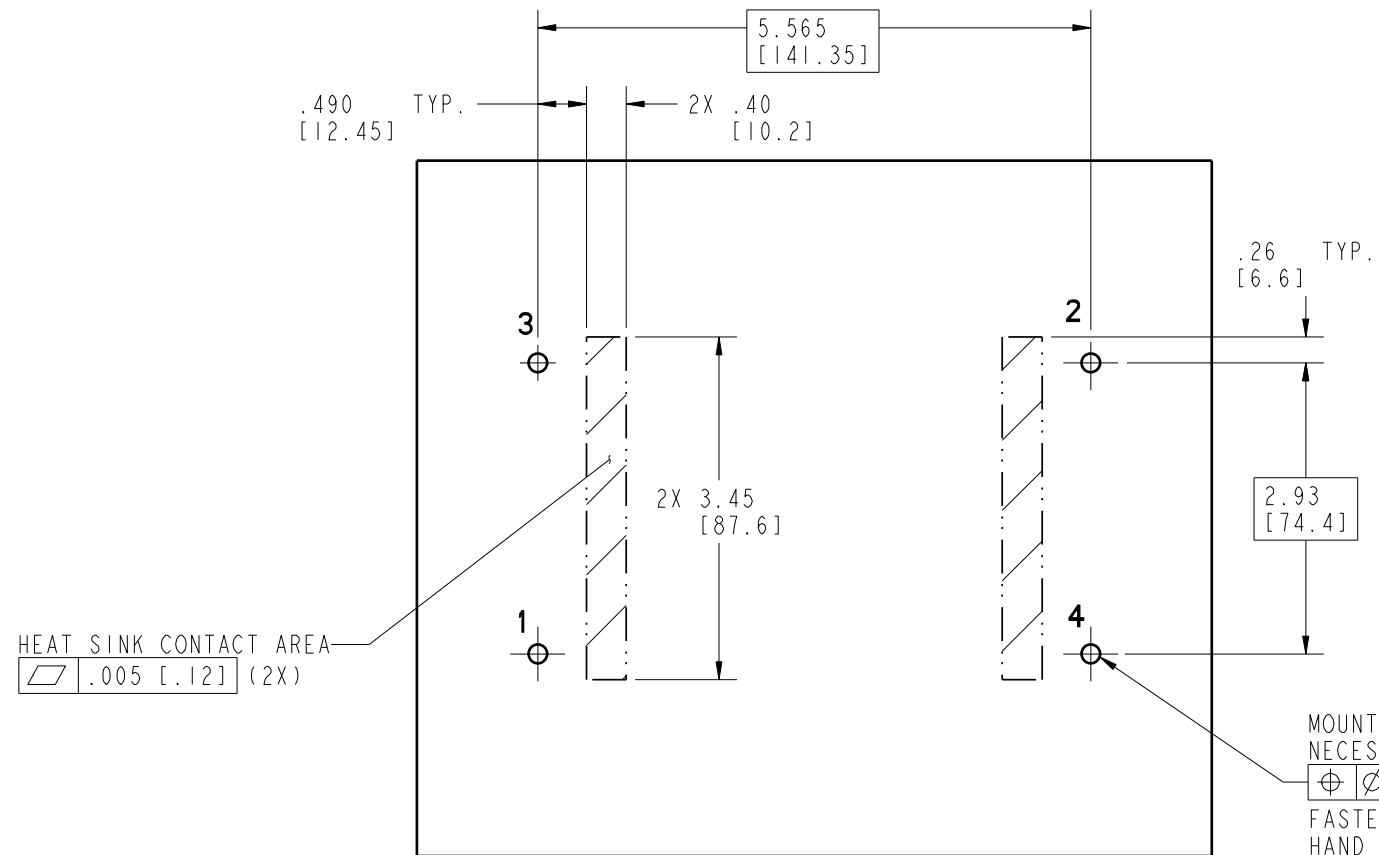
3

2

1



CINCH P/N: 581 01 30 041 SHOWN



MOUNTING BRACKET LAY-OUT

MOUNTING HOLES. HOLE SIZING AND / OR TAPPING AS NECESSARY FOR CUSTOMER MOUNTING HARDWARE

⊕ Ø.005 [.12] A

FASTENERS SHOULD BE TIGHTENED BY HAND AT EACH LOCATION, APPLYING EQUAL PRESSURE AGAINST MOUNTING SURFACE IN ALL LOCATIONS, THEN TORQUE TO 10-12 IN. LB. [1.13-1.36 Nm] FOLLOWING THE PATTERN SHOWN.
TORQUE PATTERN: 1, 2, 3, 4

UNITS ENGLISH		Cinch		1700 FINLEY RD. LOMBARD, IL. 60148	
DO NOT SCALE DRAWING		TITLE ENCLOSURE ASSEMBLY MODICE SE			
UNLESS OTHERWISE SPECIFIED: ALL DIMENSIONS ARE IN INCHES		PRO/E DRAWING			
FILLET/RADII .02 MAX	TOLERANCES .XX ± .01 .XXX ± .005 ANGULAR ± .5°	CAD FILE NUMBER 5810130041S_ICE30	DRAWING NUMBER 581 01 30 041S	REV D	
THIS DOCUMENT IS THE PROPERTY OF CINCH. NEITHER THIS DOCUMENT NOR ANY OF THE INFORMATION CONTAINED IN IT MAY BE DUPLICATED OR DISCLOSED WITHOUT PRIOR WRITTEN CONSENT OF CINCH.		CAGE IDENT NO. SIZE 71785 B	SCALE 1:2	SHEET 2 OF 2	